



Product/Process
Change
Notification
PCN07102

Product:	HPL 516	Part Numbers Concerned:	10034908-001 10034908-001LF 10034908-002LF
Product Manager:	Henry Xie	Issue Date:	May 31 st 2007
		Page(s):	2
Distribution:	Active and Contract Customers		

Subject:
Power Edge Card Product Housing End Thickness Change.

Nature of Change:

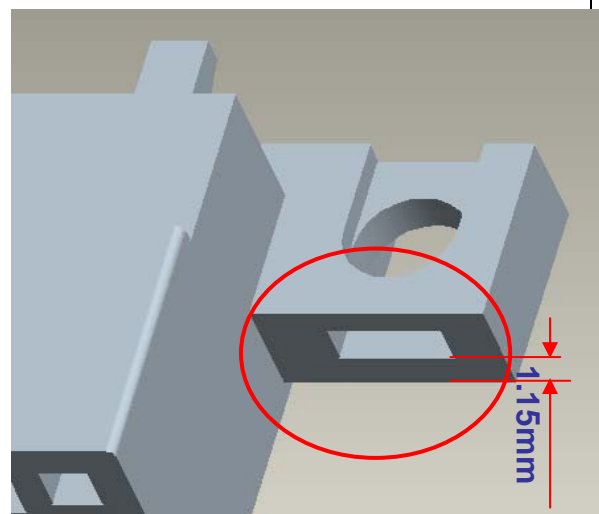
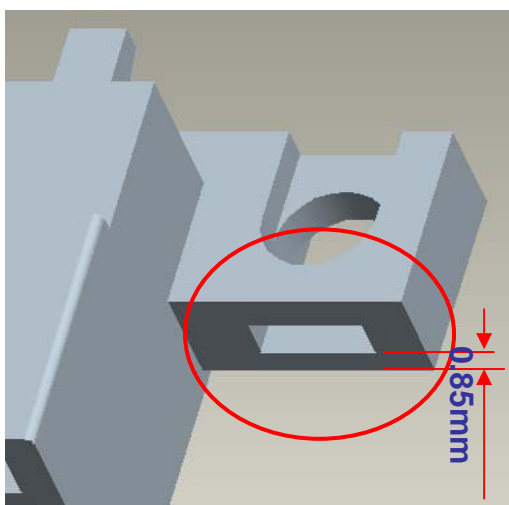
In the connector user's assembly site, the force applied to the housing end is various due to the process is manual way assembly, in order to help the user to better assembly the connector and reduce the chance for the housing end to be damaged due to too much force applied, FCI makes a design change for the housing end- strengthen this part by increasing the plastic thickness about 0.3mm approximately.

This change does not bring any impact to the existing function of the connector product.

As below the photo shows the thickness change.

Before change

After change



Implementation Date:

July, 3rd, 2007

Affected Part Numbers:

10034908-001

10034908-001LF

10034908-002LF

Action Required:

Sales team to inform customers this PCN.

For questions regarding this PCN contact:

Henry Xie

Product Manager

Tel:86-769-88682108 Ext. 255

Fax: 86-769-88682109

Email: Henry.Xie@fciconnect.com

Or contact your nearest FCI representative