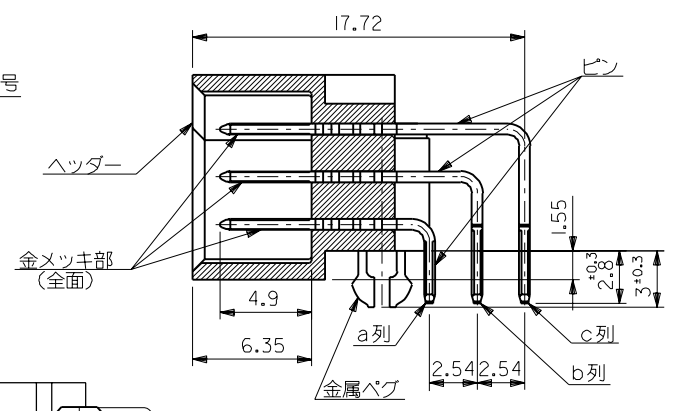
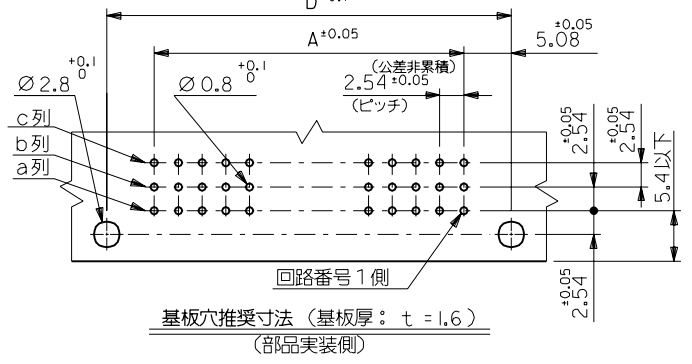
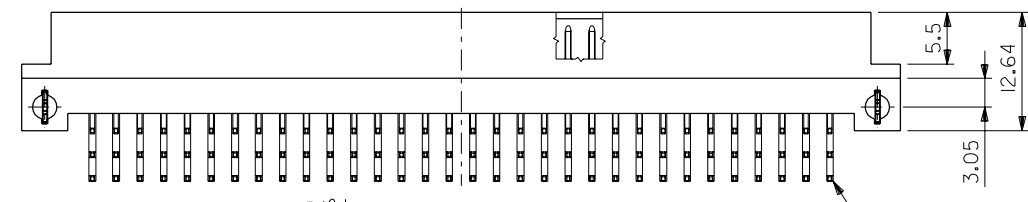
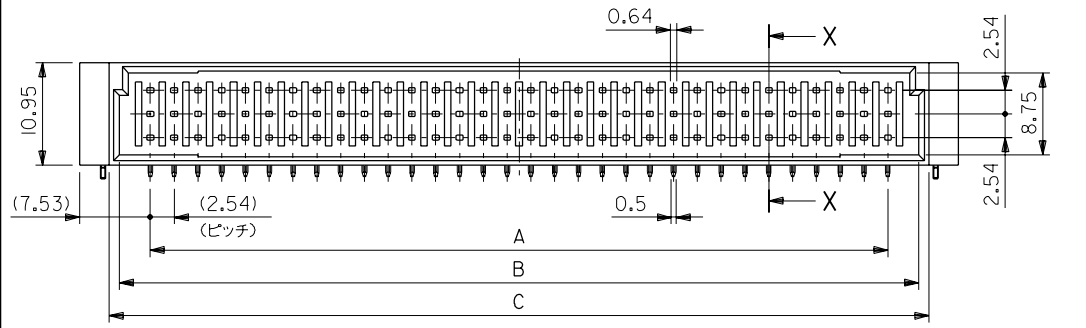
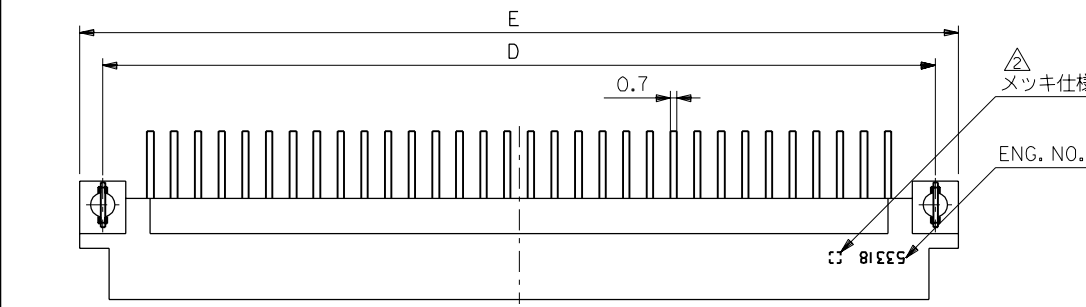


ENG. NO.
SD-53318-****

EDP NO.

MM DIMENSIONS IN METRIC DO NOT SCALE DRAWING



断面 X-X
(SCALE: 4-1)

注記 1. 材質

ヘッダーガラス入り P.B(白色) , UL94V-0
 ピン : 黄銅 (t=0.58)
 金属ペグ : リン青銅, 銅下地半田メッキ (t=0.48)

メッキ仕様及び仕様番号

| | | | | |
|------------|---------------------|------------------------|--------------------------|-------------|
| 53318-***3 | 0.76 | I.0 | I.0 | 3 |
| 53318-***2 | 0.5 | | | 2 |
| 53318-***1 | 0.3 | | | 1 |
| 53318-***0 | 0.1 | | | 0 |
| ENG. NO. | 接点部 金メッキ 【取上】 | 半田付け部 半田メッキ 【取上】 | 下地メッキ ニッケルメッキ 【取上】 | メッキ 仕様番号 |

3. 嵌合相手: 52302, 52386, 52480, 52483 シリーズ

| | | | | | | |
|-------|-------|-------|-------|-------|------------|----|
| 93.8 | 88.9 | 87.5 | 85.3 | 78.74 | 53318-096* | 96 |
| 53.16 | 48.26 | 46.86 | 44.66 | 38.1 | 53318-048* | 48 |
| E | D | C | B | A | ENG. NO. | 極数 |

| | | | | | | |
|----------------------------|-------|---|-------------------------|-------------|------------|--|
| 角度 ANGLE | ±3° | | | | | |
| 30以上 OVER | +0.3 | A | 変更 (J10145) | H.H | 9/12/72 | |
| 10以上 30未満 OVER UNDER | +0.25 | O | 新規作成 (J00922) | S.M H.H | 90/8/21 | |
| 10未満 UNDER | +0.2 | | 変更内容 REVISION RECORD | DR. CHK. | 日付 DATE | |
| 一般公差 GENERAL TOLERANCES | | | | | | |

| | |
|----------------------|-------------------|
| 材料 MATERIAL | 注記参照 |
| 仕上げ FINISH | 注記参照 |
| 適用電線範囲 WIRE RANGE | — |
| 被覆外径 INS. RANGE | — |
| DRAWN BY '90/8/27 | CHK'D BY |
| S.MOCHIZUKI | 日付 |
| APP'D BY | 尺度 SCALE 2 - 1 |

| | |
|---|-----|
| molex MOLEX-JAPAN CO.,LTD. 日本モレックス株式会社 | |
| EDP. NO. | |
| ENG. NO. | REV |
| SD-53318-**** | A |
| TITLE 名称 2.54 B TO B CONN. RIGHT ANGLE HEADER ASS'Y WITH METAL PEG (TRIPLE ROW) | |

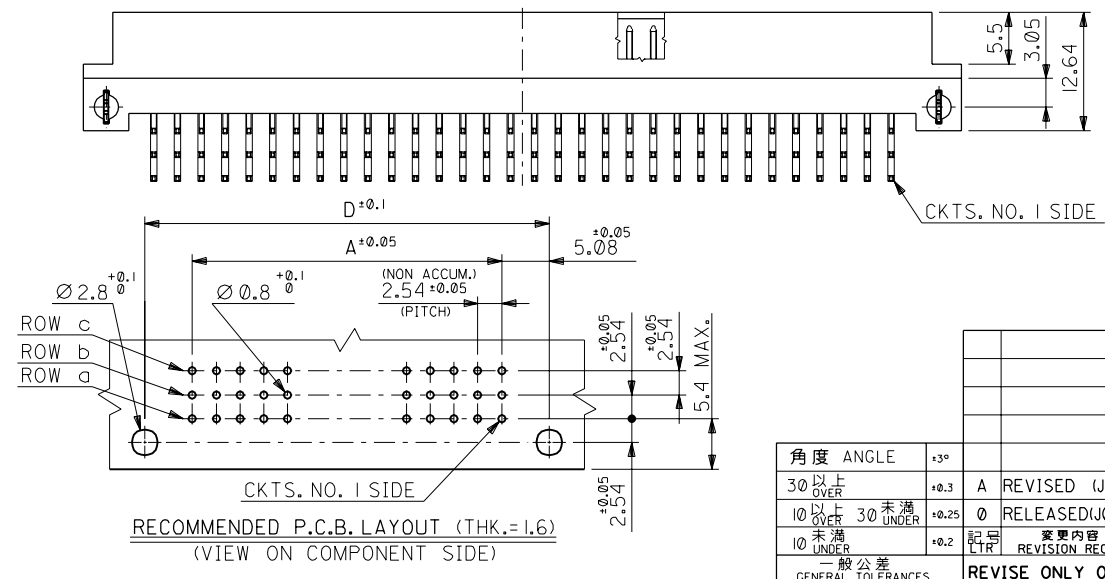
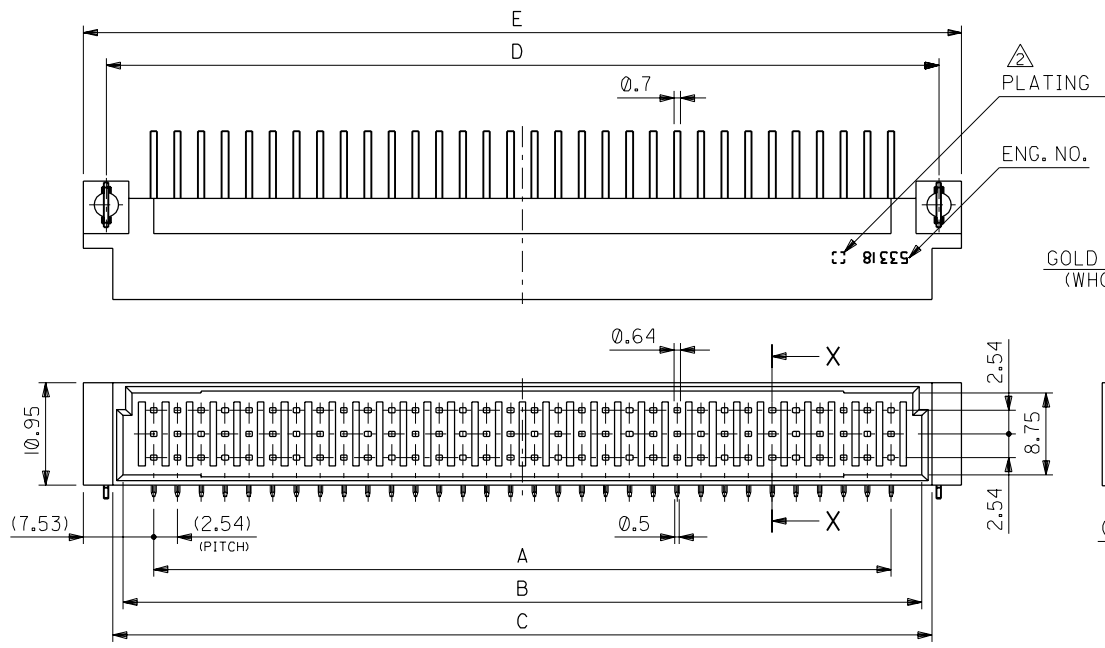
THIS DRAWING CONTAINS INFORMATION THAT IS PROPRIETARY TO MOLEX(JAPAN) AND SHOULD NOT BE USED WITHOUT WRITTEN PERMISSION
 本図面は日本モレックス(株)の所有する情報を含むもので 当社の許可なく複製を禁止する。

MXJ-8

ENG. NO. SD-53318-****

EDP NO.

MM DIMENSIONS IN METRIC DO NOT SCALE DRAWING

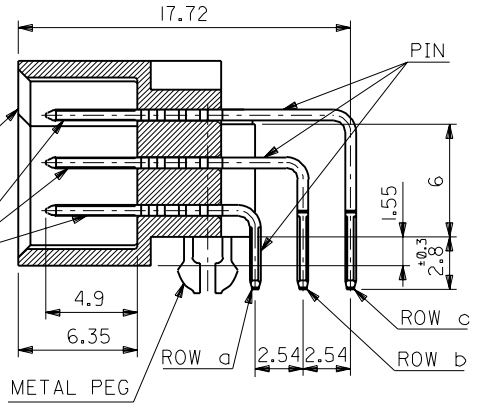


PLATING INDICATION NO.

ENG. NO.

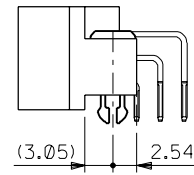
GOLD PLATING AREA (WHOLE SURFACE)

HEADER



METAL PEG

SECT. X-X (SCALE: 4-1)



NOTES: 1. MATERIAL
 HEADER: GLASS FILLED P.B.T. (WHITE), UL94V-0
 PIN: BRASS (t=0.58)
 METAL PEG: PHOSPHOR BRONZE (t=0.48), TIN-LEAD OVER COPPER PLATING

PLATING & PLATING INDICATION NUMBER

| | | | | |
|------------|----------------------------|-------------------------------|-----------------------------|---------------------------|
| 53318-***3 | 0.76 | 1.0 | 1.0 | 3 |
| 53318-***2 | 0.5 | | | 2 |
| 53318-***1 | 0.3 | | | 1 |
| 53318-***0 | 0.1 | | | 0 |
| ENG. NO. | CONTACT AREA GOLD [μmMIN.] | SOLDER AREA TIN-LEAD [μmMIN.] | UNDER PLATE NICKEL [μmMIN.] | PLATING INDICATION NUMBER |

3. MATE WITH : 52302, 52386, 52480, 52483 SERIES.

| | | | | | | |
|-------|-------|-------|-------|-------|------------|--------------|
| 93.8 | 88.9 | 87.5 | 85.3 | 78.74 | 53318-096* | 96 |
| 53.16 | 48.26 | 46.86 | 44.66 | 38.1 | 53318-048* | 48 |
| E | D | C | B | A | ENG. NO. | NO. OF CKTS. |

| | | | | | | | |
|-------------------------|-------|--------|----------------------|------------------|-------------------------------|----------------|---|
| 角度 ANGLE | ±3° | | | | 材料 MATERIAL | SEE NOTES | molex MOLEX-JAPAN CO.,LTD. 日本モレックス株式会社 |
| 30以上 OVER | ±0.3 | A | REVISED (J10145) | H.H | 仕上げ FINISH | SEE NOTES | |
| 10以上 30未滿 UNDER | ±0.25 | 0 | RELEASED(J00922) | S.M H.H | 適用電線範圍 WIRE RANGE | —H— | ENG. NO. |
| 10未滿 UNDER | ±0.2 | 記号 LTR | 変更内容 REVISION RECORD | DR. CHK. 日付 DATE | 覆盖外径 INS. RANGE | —H— | SD-53318-**** |
| 一般公差 GENERAL TOLERANCES | | | | | DRAWN BY '90/3/28 S.MOCHIZUKI | CHK'D BY | REV A |
| | | | | | APP'D BY | 尺度 SCALE 2 - 1 | TITLE 名称 2.54 B TO B CONN. RIGHT ANGLE HEADER ASS'Y WITH METAL PEG (TRIPLE ROW) |

THIS DRAWING CONTAINS INFORMATION THAT IS PROPRIETARY TO MOLEX(JAPAN) AND SHOULD NOT BE USED WITHOUT WRITTEN PERMISSION
 本図面は日本モレックス(株)の所有する情報を含むもので 当社の許可なく複製を禁止する。

MXJ-8