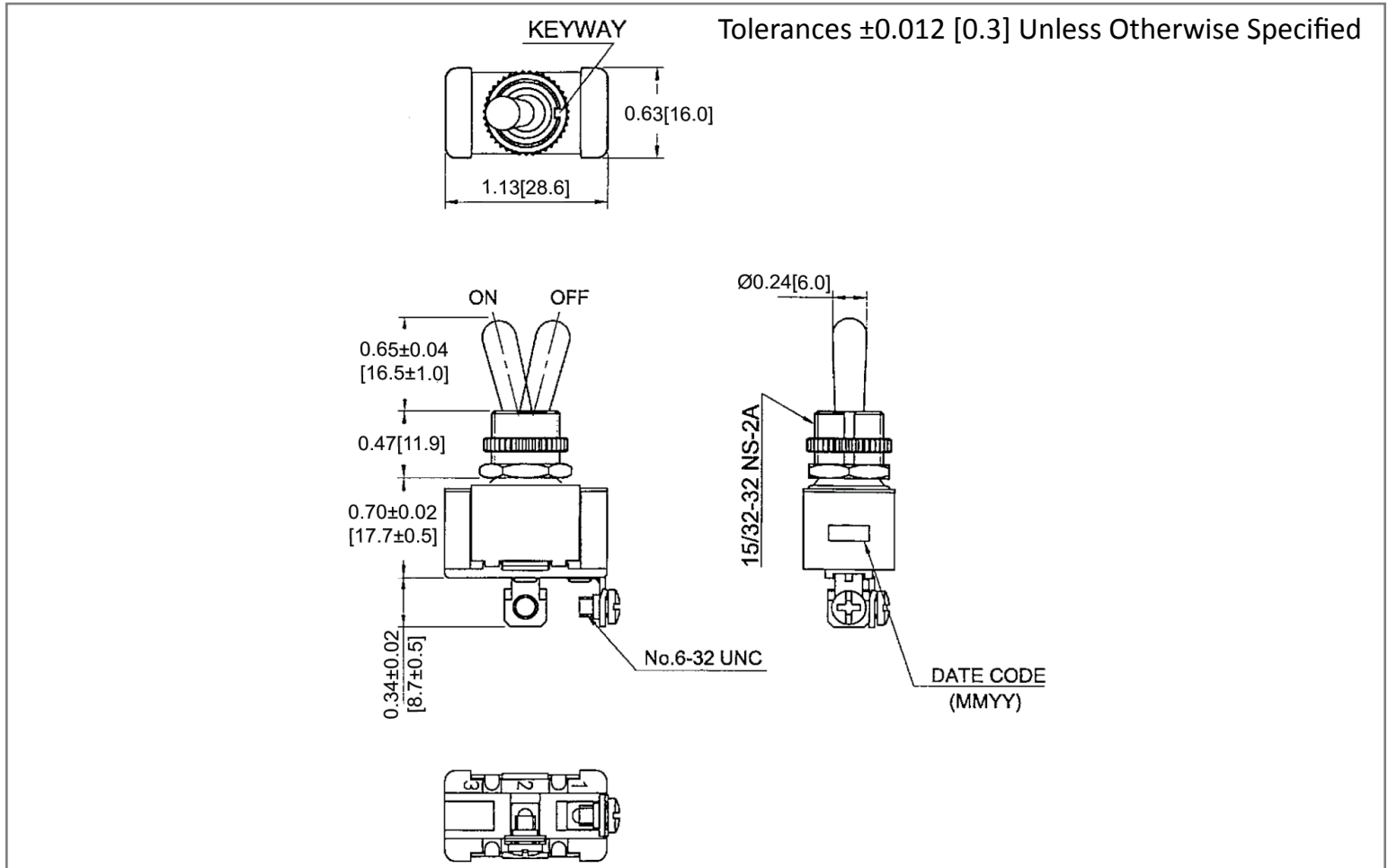
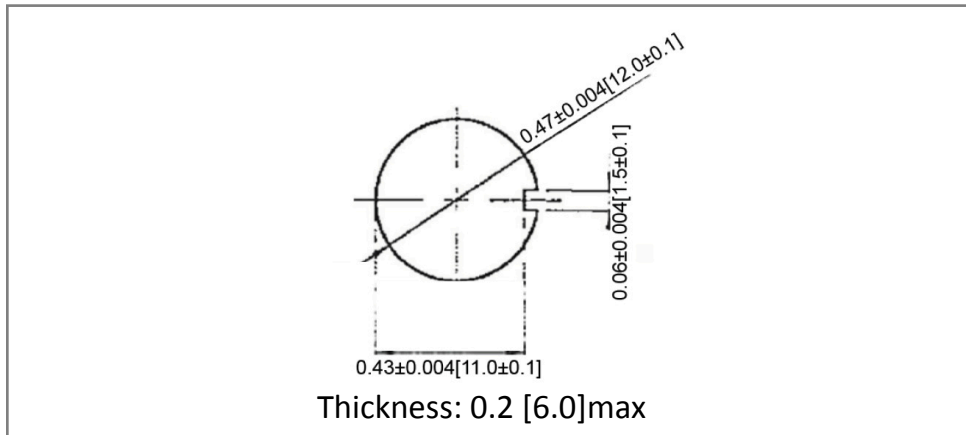


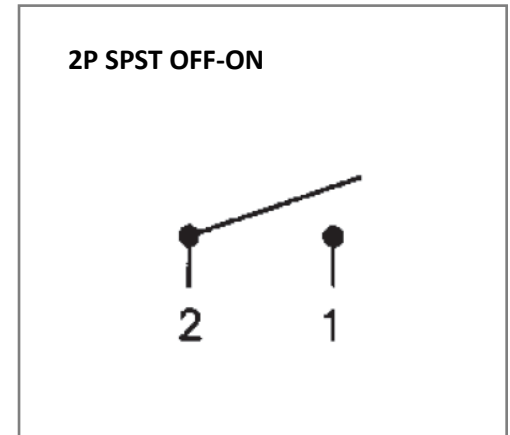
## Mechanical Dimensions: Inches [mm]



## Mounting Hole



## Circuit Diagram



## Electrical Specifications

<b>Rating</b>	12(4)A 125/250V AC	20A 125V AC, 10A 277V AC, 3/4HP 125-250V AC
<b>Contact Resistance</b>	50m ohm Max	
<b>Insulation Resistance</b>	DC 500V 100M ohm Min	
<b>Dielectric Strength</b>	AC 1500V 1 minute	
<b>Operation Temperature</b>	-20°C ~ 85°C	

## Material Specifications

<b>Operation Force</b>	700gf $\pm$ 250 gf
	1 hex nut assy
	1 knurl nut assy
	1 ON/OFF Face plate assy

<b>Rev</b>	<b>Date of issue</b>	<b>Revision Notes</b>	<b>Designed</b>	<b>Approved</b>
A	03-14-2019	Initial Drawing	RC	OF