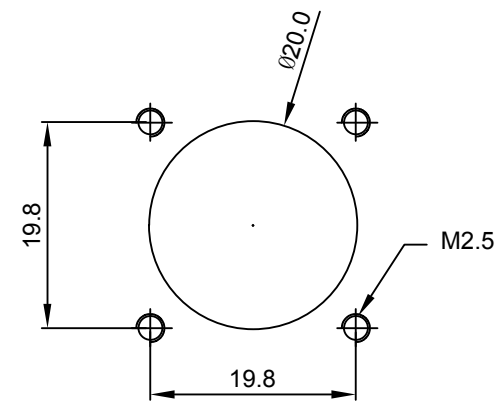
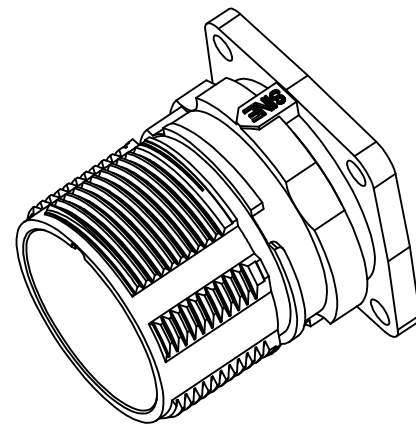
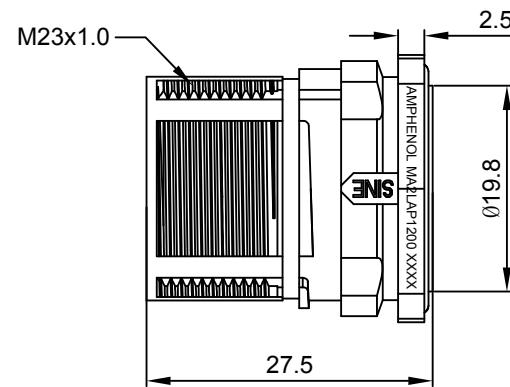
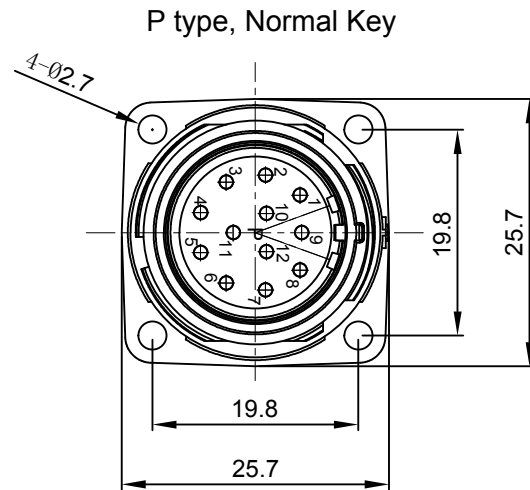


REVISIONS					
REV	ECO	DESCRIPTION	DATE	BY	APPR
A1	-	FIRST RELEASE	Oct.31,2017	White	TOMMY

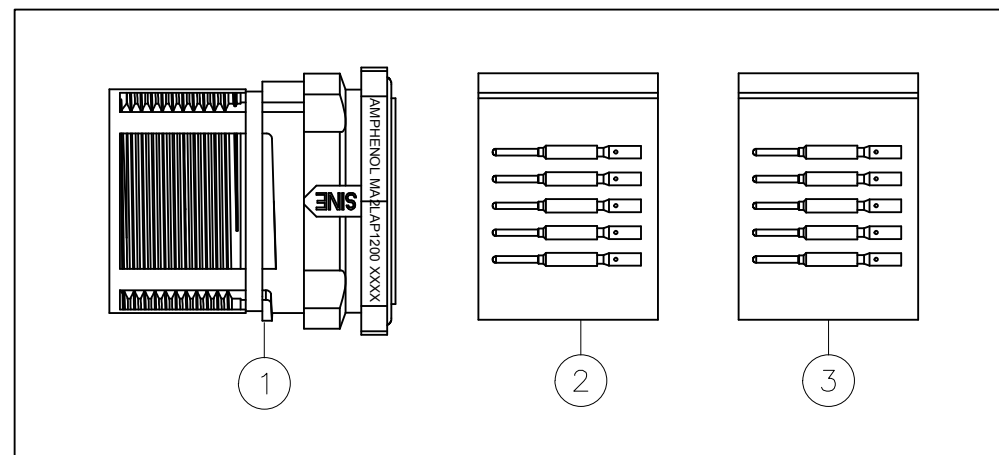


Mounting Holes

NOTES: UNLESS OTHERWISE SPECIFIED

- MATERIAL:
 - INSULATION INSERT: PA66,UL94 V0
 - SEAL: VITON
 - HOUSING BODY: ZINC DIE CAST, NICKEL PLATED
 - CONTACT: COPPER ALLOY, GOLD PLATED
- SPECIFICATIONS:
 - 2.1 CURRENT RATING: 10 AMPS
 - 2.2 VOLTAGE RATING: 160 V AC/DC
 - 2.3 CONTACT RESISTANCE: <5 mOHMS
 - 2.4 OPERATING TEMPERATURE: -20°C TO +130°C
 - 2.5 DIELECTRIC WITHSTANDING VOLTAGE: LESS THAN 2 MILLIAMPS CURRENT LEAKAGE @ 2500 VOLTS AC.
 - 2.6 DEGREE OF PROTECTION: IP67 (MATED CONDITION)
 - 2.7 DEGREE OF POLLUTION: 3 PER UL840
 - 2.8 OVERVOLTAGE CATEGORY: III PER UL840
 - 2.9 MATING CYCLE DURABILITY: >500 CYCLES
 - 2.10 RoHS COMPLIANT

3. ALL DIMENSIONS ARE FOR REFERENCE USE ONLY.



QUANTITY	PART NUMBER	DESCRIPTION	ITEM
12	SC000146	CONTACT, PIN, Ø1.0mm ,Crimp 28~24AWG	3
12	SC000035	CONTACT, PIN, Ø1.0mm, Crimp 22~18AWG	2
1	MA2LAP1200	CONNECTOR	1

MATERIALS LIST									
SIGNATURES		DATE							
DRAWN: White		Oct.31,2017							
CHECKED: Tod		Oct.31,2017							
ENGINEER:									
APPROVAL: Tommy		Oct.31,2017							
CUSTOMER:									
<p>UNLESS OTHERWISE SPECIFIED</p> <p>1) All dimensions are in metric(mm).</p> <p>2) Tolerances are as follows:</p> <table border="0"> <tr> <td>1 PL DEC ±0.30</td> <td>Fractions ±1/64</td> </tr> <tr> <td>2 PL DEC ±0.15</td> <td>Angles ±1°</td> </tr> <tr> <td>3 PL DEC ±0.08</td> <td></td> </tr> </table> <p>3) Note reference = \triangle X</p>				1 PL DEC ±0.30	Fractions ±1/64	2 PL DEC ±0.15	Angles ±1°	3 PL DEC ±0.08	
1 PL DEC ±0.30	Fractions ±1/64								
2 PL DEC ±0.15	Angles ±1°								
3 PL DEC ±0.08									
MATERIAL SPECIFICATIONS:									
PROCESS SPECIFICATIONS:									
NEXT ASSY:									
<p>THIS DRAWING IS SUPPLIED FOR INFORMATION ONLY. DESIGN FEATURES, SPECIFICATIONS AND PERFORMANCE DATA SHOWN HEREON ARE THE PROPERTY OF THE AMPHENOL CORPORATION. NO RIGHTS OF REPRODUCTION ARE IMPLIED. ALL DIMENSIONS ARE SUBJECT TO NORMAL MANUFACTURING VARIATIONS.</p>									
SIZE	TYPE	DWG NO:	REVISION						
B	C-	MA2LAP1200-KIT	A1						
SCALE: NONE		SHEET 1 OF 1							

TITLE: KIT;M23A,REC.,12POS,P TYPE,FLANGE MOUNT,CHECKMATE

DWG NO:

MA2LAP1200-KIT

REV: A1

SH: 1

OF: 1