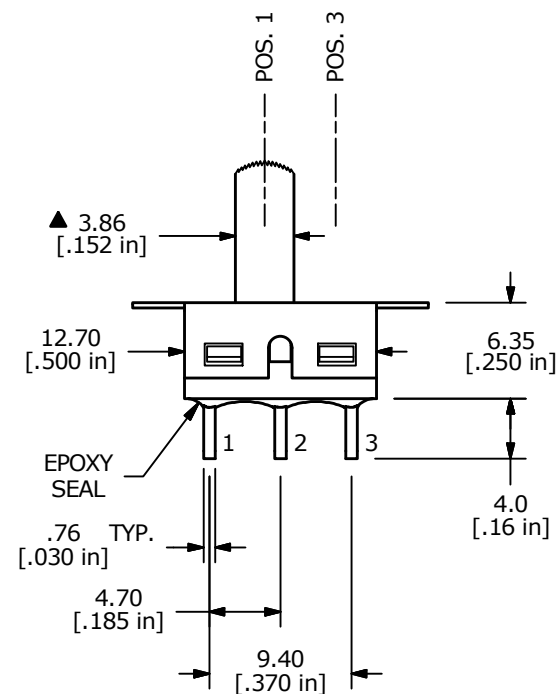
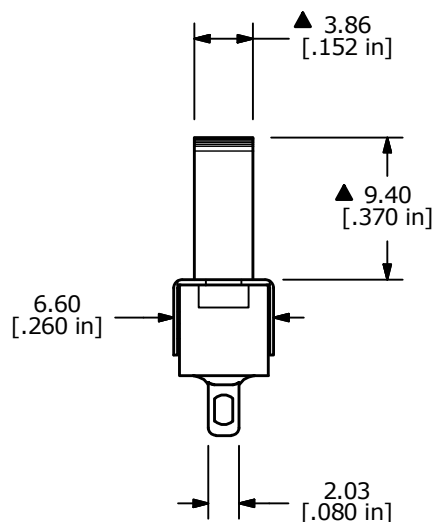
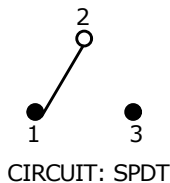


▲ SWITCH FUNCTION		
POS. 1	POS. 2	POS. 3
ON	NONE	ON
2-1	N/A	2-3



- NOTE:
1. ALL DIMENSIONS IN MM [INCH]
  2. GENERAL TOLERANCE: X.X = ±0.4  
X.XX = ±0.25
  3. TERMINAL NUMBERS FOR REF ONLY
  - ▲ 4. PLATING MATERIAL: SILVER
  5. CONTACT RATING: 5A @120VAC or 28VDC, 2A @250VAC
  6. ELECTRIC LIFE: 30,000 ACTUATIONS AT FULL LOAD.
  7. INSULATION RESISTANCE: 1,000 MEGA-OHM MIN.
  8. DIELECTRIC STRENGTH: 1,000 V RMS @SEA LEVEL
  9. OPERATING TEMP.: -30°C to 85°C
  10. ▲ DENOTES CRITICAL PARAMETER.
  11. CONTACT RESISTANCE: 10m OHM MAX INITIAL @ 2-4VDC



C	23631	UPDATED DIM 6.60 to 6.35 & 9.65 to 9.40	10/16/18	MJR
B	12100	REVISE AND REDRAW	4/29/02	CJB
REV	PCR NO	DESCRIPTION	DATE	BY

TITLE 500SSP1S3M1QEB				
SCALE 2:1	DATE 4/29/2002	DR CJB	DWG T513003	REV C

THE INFORMATION CONTAINED IN THIS DOCUMENT IS PROPRIETARY TO E-SWITCH AND IS NOT TO BE COPIED OR TRANSFERRED