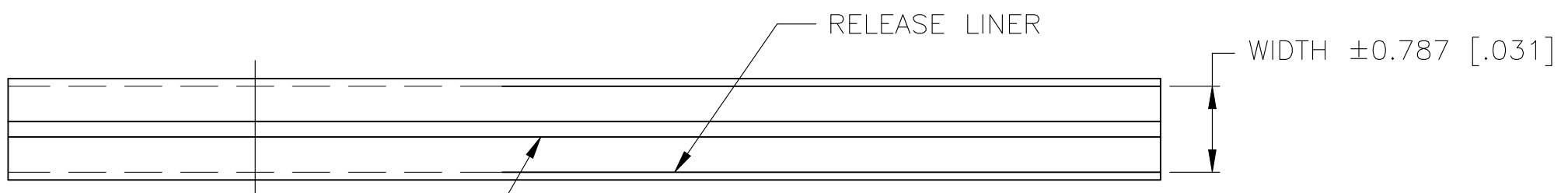


REVISIONS

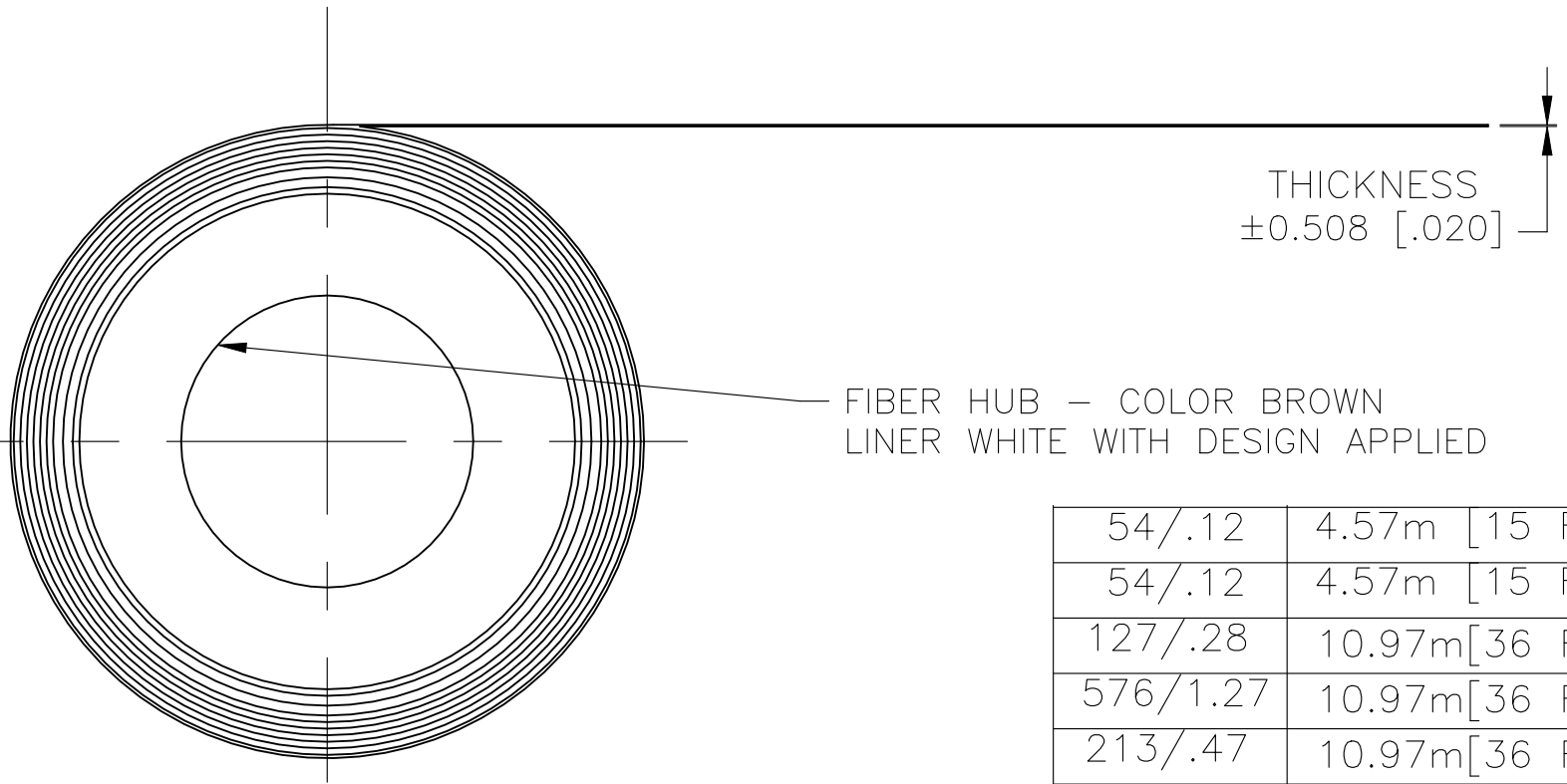
P	LTR	DESCRIPTION	DATE	DWN	APVD
	H2	REVISED PER ECR-22-140740	08JUN2022	GK	SCD



COLOR STRIPE

RELEASE LINER

WIDTH ±0.787 [.031]



THICKNESS ±0.508 [.020]


FIBER HUB - COLOR BROWN
LINER WHITE WITH DESIGN APPLIED

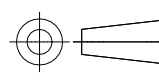
- 1. MATERIAL: SILICONE RUBBER.
- 2. TAPE IS ROLLED ONTO A FIBER HUB TO LENGTHS INDICATED WITH COLOR STRIPE UP AND RELEASE LINER ON OUTSIDE.
- 3. THICKNESS TO BE MEASURED AT CENTER OF TAPE.
- 4. SELF-AMALAGAMATING MATERIAL HAS A 1-YEAR SHELF-LIFE, WHICH BEGINS THE DAY ITS MADE. USE AFTER EXPIRATION CONSIDERABLY IMPEDES ITS ABILITY TO FUSE.
- 5. MADE IN USA DESIGN ON WHITE BACKING



54/.12	4.57m [15 FT]	WHITE	BLACK	0.51 [.020]	25.4 [1.00]	1-608036-4
54/.12	4.57m [15 FT]	BLUE	RED	0.51 [.020]	25.4 [1.00]	1-608036-3
127/.28	10.97m[36 FT]	BLUE	CLEAR	0.51 [.020]	25.4 [1.00]	1-608036-2
576/1.27	10.97m[36 FT]	WHITE	RED	1.50 [.060]	38.1 [1.50]	608036-9
213/.47	10.97m[36 FT]	GREEN	RED	1.02 [.040]	25.4 [1.00]	608036-5
172/.38	10.97m[36 FT]	WHITE	GRAY	0.76 [.030]	25.4 [1.00]	608036-4
127/.28	10.97m[36 FT]	BLUE	GRAY	0.51 [.020]	25.4 [1.00]	608036-2
127/.28	10.97m[36 FT]	BLUE	RED	0.51 [.020]	25.4 [1.00]	608036-1
WEIGHT GRAMS/POUNDS	LENGTH MINIMUM	STRIPE COLOR	TAPE COLOR	THICKNESS	WIDTH	PART NUMBER

THIS DRAWING IS A CONTROLLED DOCUMENT.

DWN S. HOOVER 20-AUG-2002	 TE Connectivity			
CHK D. COLEY 20-AUG-2002				
APVD D. COLEY 20-AUG-2002				
PRODUCT SPEC	NAME			
APPLICATION SPEC	TAPE, SILICONE FUSION			
WEIGHT -	SIZE A3	CAGE CODE 00779	DRAWING NO C-608036	RESTRICTED TO -
CUSTOMER DRAWING		SCALE -	SHEET 1 OF 1	REV H2

DIMENSIONS: mm[INCHES]	TOLERANCES UNLESS OTHERWISE SPECIFIED:
	0 PLC ±
	1 PLC ±
	2 PLC ±
	3 PLC ±
	4 PLC ±
MATERIAL	ANGLES ±
	FINISH