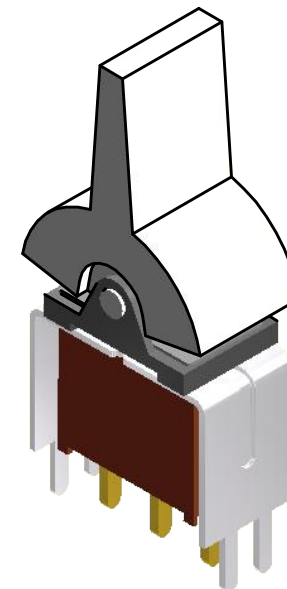
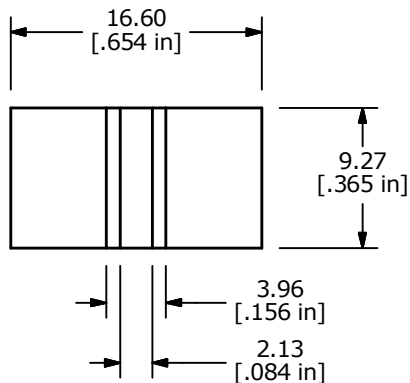
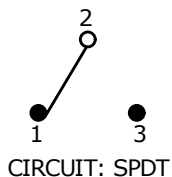


RECOMMENDED P.C. MOUNTING

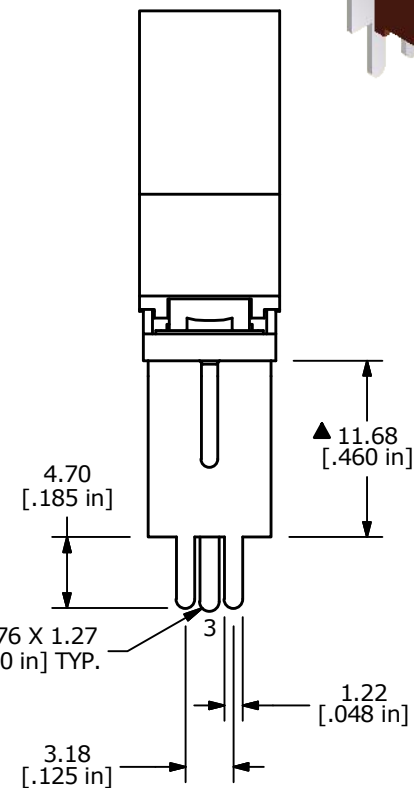
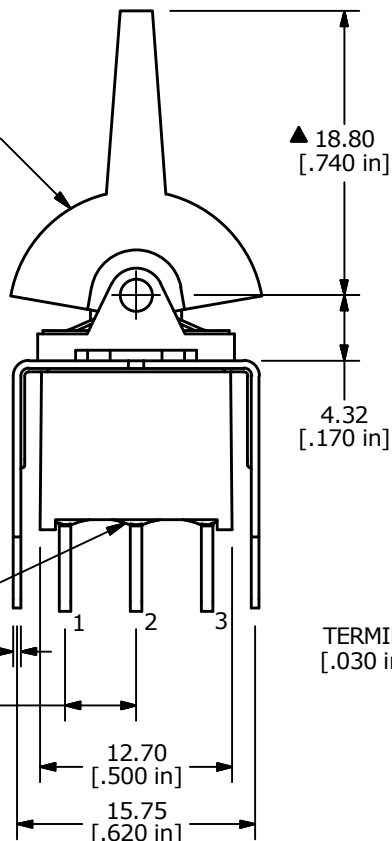


SWITCH FUNCTION		
POS. 1	POS. 2	POS. 3
(ON)	OFF	(ON)
2-3	OPEN	2-1

(ON) = MOMENTARY



▲ ACTUATOR COLOR: WHITE



NOTE:

1. ALL DIMENSIONS IN MM [INCH]
2. GENERAL TOLERANCE: X.X=±0.4  
X.XX=±0.25
3. TERMINAL NUMBERS FOR REF ONLY
4. PLATING MATERIAL: GOLD
- ▲ 5. RATING: 0.4 VOLT-AMPS MAX. @20V MAX. AC OR DC
6. ELECTRIC LIFE: 30,000 MAKE-AND-BREAK CYCLES AT FULL LOAD.
7. INSULATION RESISTANCE: 1,000 MEGA-OHM MIN.
8. DIELECTRIC STRENGTH: 1,000 V RMS @SEA LEVEL.
9. OPERATING TEMP.: -30°C to 85°C
10. ▲ DENOTES CRITICAL PARAMETER.
11. 2011/65/EU (ROHS) COMPLIANT

EPOXY SEAL  
 .51 [.020 in]  
 4.70 [.185 in]

TERMINALS .76 X 1.27  
 [.030 in X .050 in] TYP.



C	22708	UPDATED LAYOUT AND TERMINALS	2/17/17	MJR
B	15152	CHANGED DIM. & UPDATED NOTES	8/5/05	PV
REV	PCR NO	DESCRIPTION	DATE	BY

TITLE 300AWSP4J2WHTVS2RE				
SCALE 2:1	DATE 6/13/2003	DR AR	DWG T301407	REV C

THE INFORMATION CONTAINED IN THIS DOCUMENT IS PROPRIETARY TO E-SWITCH AND IS NOT TO BE COPIED OR TRANSFERRED