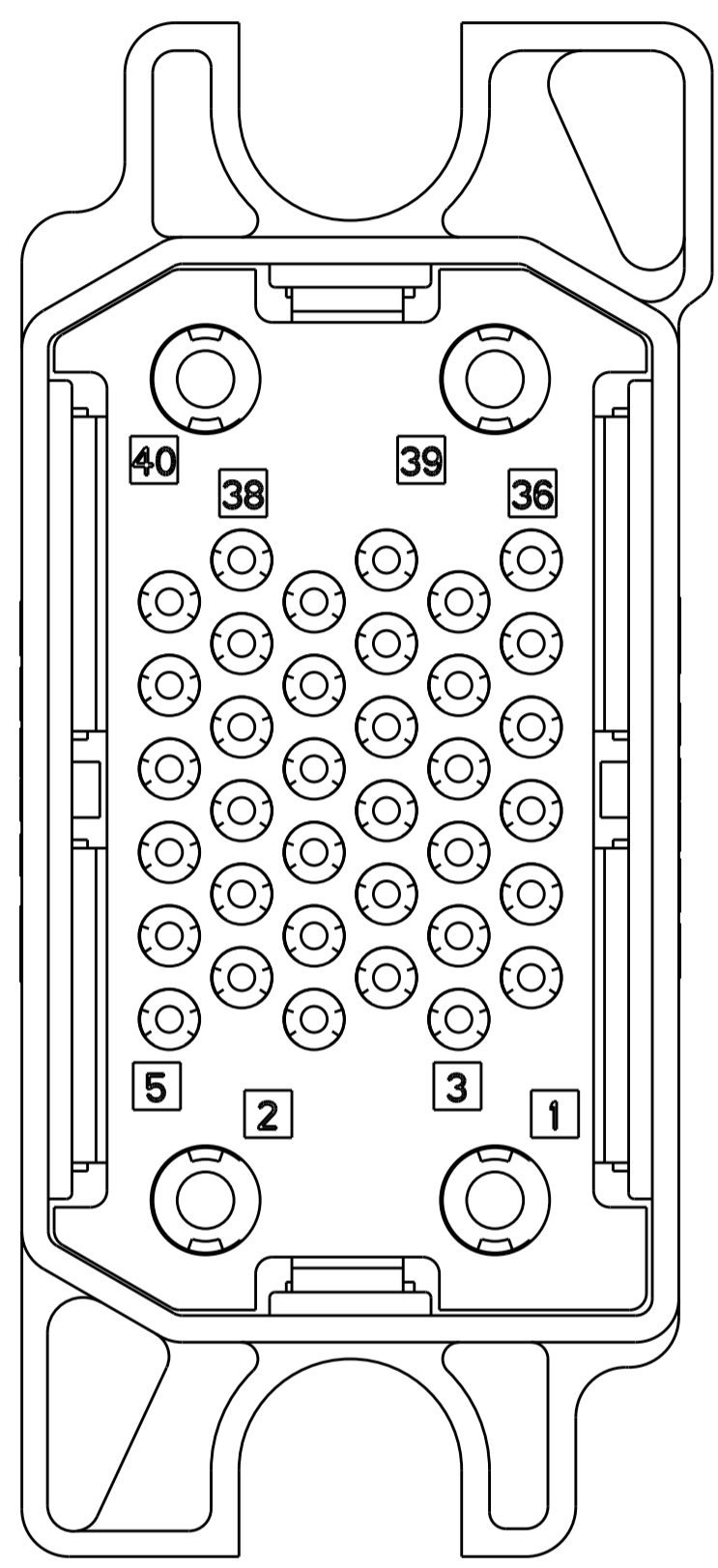
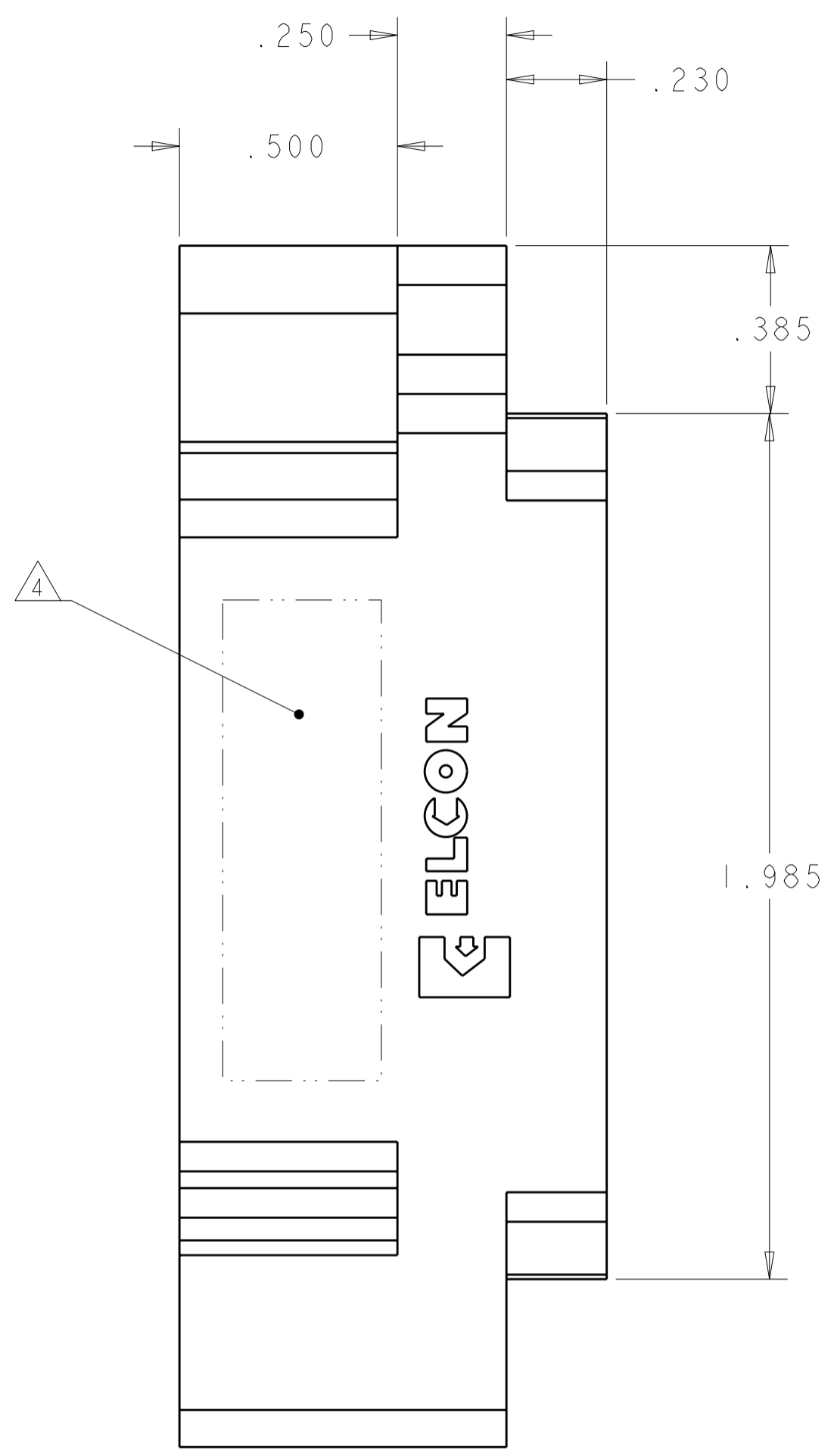
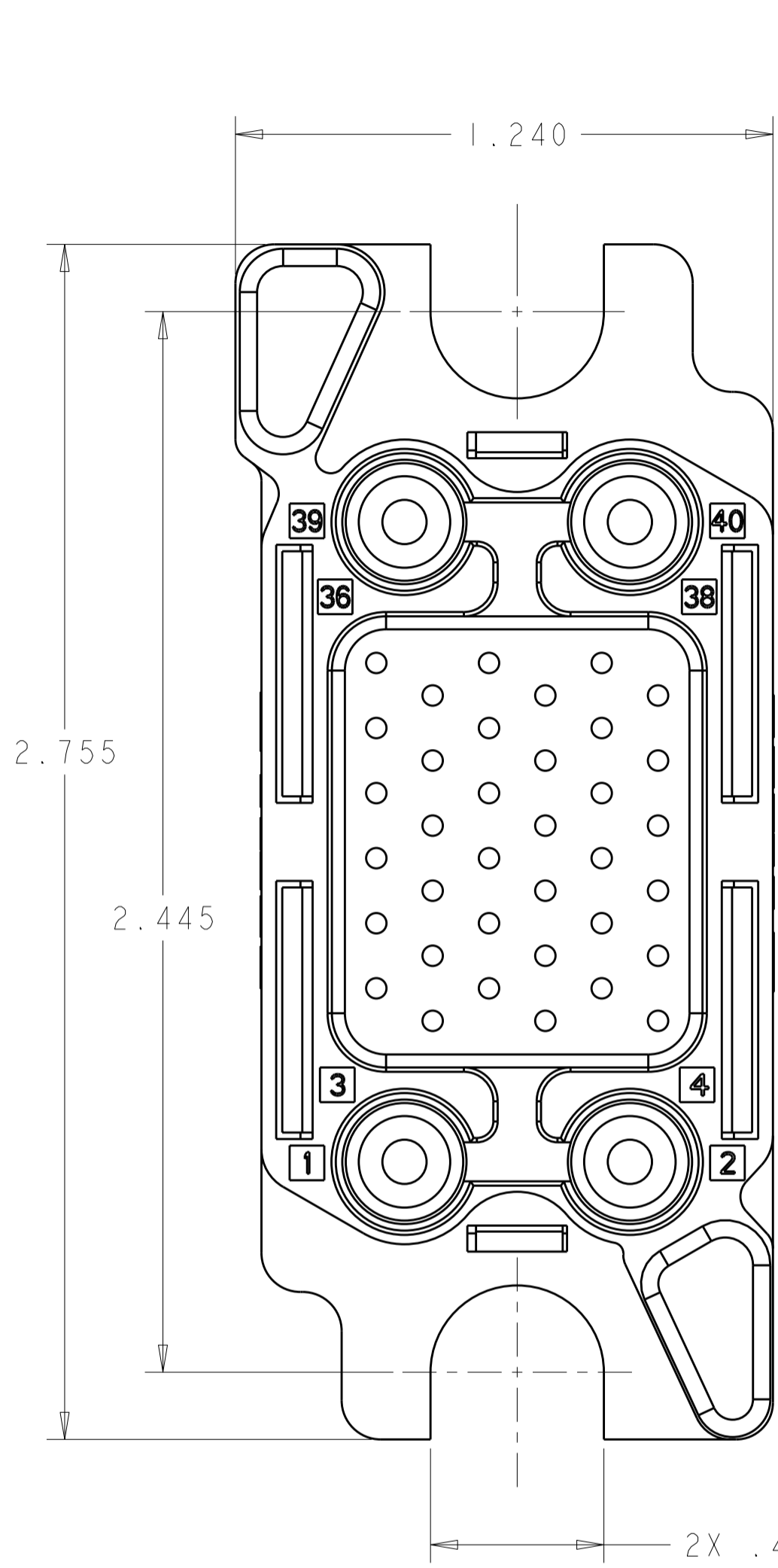


THIS DRAWING IS UNPUBLISHED. RELEASED FOR PUBLICATION 20
 © COPYRIGHT 20 BY TYCO ELECTRONICS CORPORATION. ALL RIGHTS RESERVED.

REVISONS				
P	LTR	DESCRIPTION	DATE	APVD
	A	RELEASED	09OCT2008	RG DO



PIN CONTACT SIZE No. 12 (C)
 PIN CONTACT SIZE No. 20 (B)
 PIN CONTACT SIZE No. 12 (C)

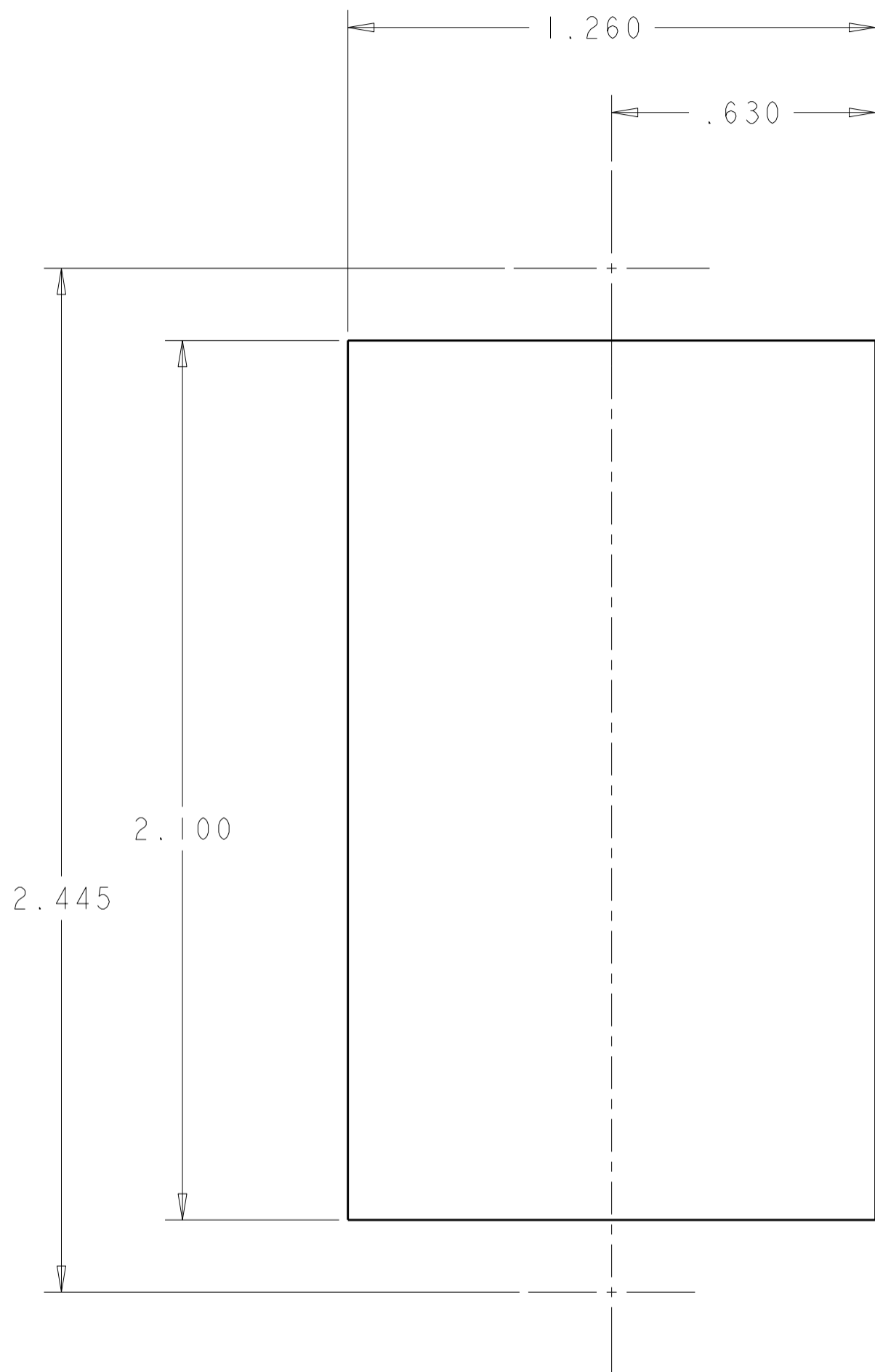
△5	2	1650589-1	SCREW, SHOULDER, M4 X 0.7	D
△5	4	1766195-1	CONTACT, PIN, #12, CRIMP, PREMATE	C
△5	36	1650161-1	CONTACT, PIN, #20, CRIMP, PREMATE	B
	1	1648132-2	CONNECTOR, PIN, UNMARKED/NO LABEL	A
	-1	PART NUMBER	DESCRIPTION	ITEM

THIS DRAWING IS A CONTROLLED DOCUMENT FOR TYCO ELECTRONICS CORPORATION. IT IS SUBJECT TO CHANGE AND THE CONTROLLING ENGINEERING ORGANIZATION SHOULD BE CONTACTED FOR THE LATEST REVISION.		DWN R. GRZYBOWSKI 9SEPT08 CHK D. ORRIS 9SEPT08 APVD M. PERCHERKE 9SEPT09	Tyco Electronics Harrisburg, PA 17105-3608
DIMENSIONS: INCHES 	TOLERANCES UNLESS OTHERWISE SPECIFIED: 0 PLC ± 1 PLC ± 2 PLC ±.02 3 PLC ±.010 4 PLC ± ANGLES ± FINISH	PRODUCT SPEC APPLICATION SPEC WEIGHT	NAME: PIN CONNECTOR CRIMP SQUARE DRAWER SIZE: A2 CAGE CODE: 00779 DRAWING NO: C-1926988 RESTRICTED TO:
MATERIAL:		CUSTOMER DRAWING	SCALE: 3:1 SHEET 1 OF 2 REV A

ELCON SQUARE DRAWER

THIS DRAWING IS UNPUBLISHED. RELEASED FOR PUBLICATION 20
 © COPYRIGHT 20 BY TYCO ELECTRONICS CORPORATION. ALL RIGHTS RESERVED.

LOC	DIST	REVISIONS					
GP	00	P	LTR	DESCRIPTION	DATE	DWN	APVD
		-		SEE SHEET 1			



SUGGESTED PANEL CUTOUT
 VIEWED FROM CONNECTOR MOUNTING SIDE

1. PART NUMBER CHANGES AND OR DESIGN CHANGES AFFECTING THE INTERCHANGEABILITY REQUIRE PRIOR TYCO ELECTRONICS APPROVAL AND AUTHORIZATION BY REVISION TO THIS DRAWING.

2. MATERIAL:
 INSULATOR: THERMOPLASTIC, GLASS REINFORCED,
 FLAMMABILITY RATED, COLOR: BLACK
 PIN CONTACT: COPPER ALLOY
 RETENTION CLIP: BERYLLIUM COPPER OR STAINLESS STEEL
 SHOULDER SCREW: STAINLESS STEEL

3. FINISH:
 PIN CONTACT SIZE 20: GOLD PLATE .000010 MIN THK. OVER
 NICKEL .000050 MIN THK.
 PIN CONTACT SIZE 12: SILVER PLATE .000200 MIN THK. OVER
 NICKEL .000050 MIN THK.

4. ITEMS PROVIDED TO THIS SPECIFICATION TO BE PERMANENTLY IDENTIFIED PER THE FOLLOWING IDENTIFIER:

TYCO ELECTRONICS P/N _____ DATE CODE (e.g. 0216)
 XXXXXXXX-X _____ XXXX

5. CRIMP PIN CONTACTS AND SHOULDER SCREWS (ITEM B, C AND D) SHALL BE PACKAGED SEPARATELY AND PLACED IN THE BOX WITH THE CONN. ASSEMBLY.

THIS DRAWING IS A CONTROLLED DOCUMENT FOR TYCO ELECTRONICS CORPORATION. IT IS SUBJECT TO CHANGE AND THE CONTROLLING ENGINEERING ORGANIZATION SHOULD BE CONTACTED FOR THE LATEST REVISION.		DWN R. GRZYBOWSKI 9SEPT08	Tyco Electronics Harrisburg, PA 17105-3608	
DIMENSIONS: INCHES		CHK D. ORRIS 9SEPT08	NAME PIN CONNECTOR CRIMP SQUARE DRAWER	
TOLERANCES UNLESS OTHERWISE SPECIFIED: 0 PLC ± 1 PLC ± 2 PLC ±.02 3 PLC ±.010 4 PLC ± ANGLES ± FINISH		APVD M. PERCHERKE 9SEPT09	RESTRICTED TO	
MATERIAL		PRODUCT SPEC -	SIZE A200779	DRAWING NO C-1926988
		APPLICATION SPEC -	SCALE 3:1	SHEET 2 OF 2 REV A
		WEIGHT -	CUSTOMER DRAWING	

ELCON SQUARE DRAWER