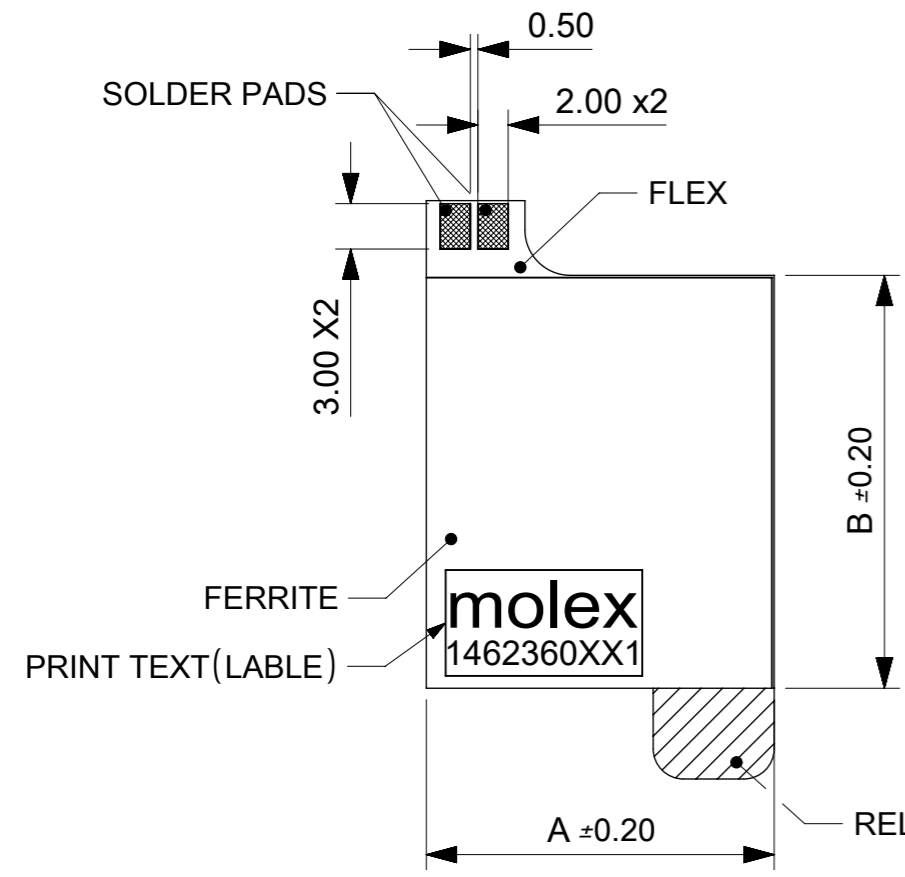
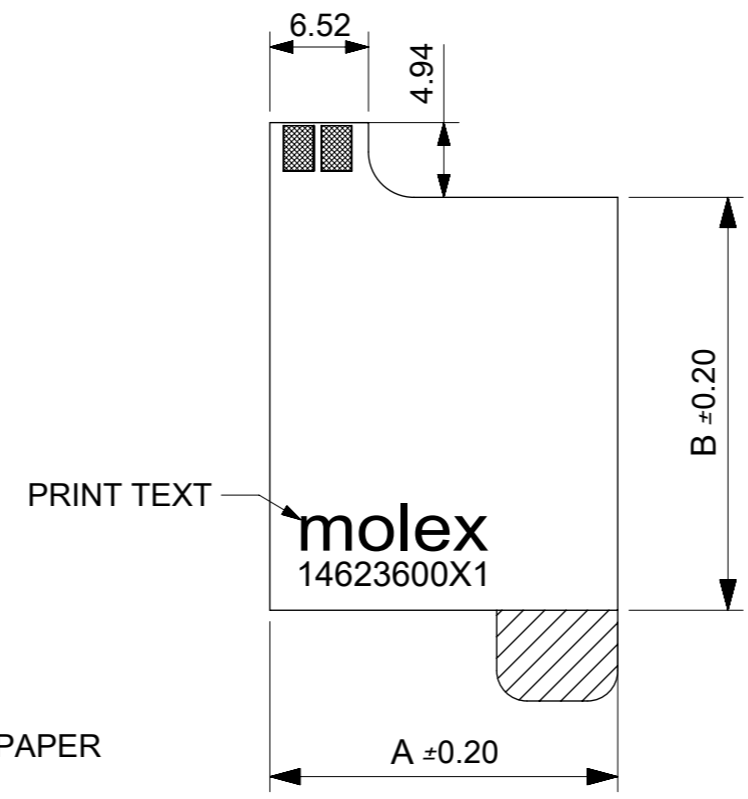


REV	DATE	CHANGE DESCRIPTION
A	2017/03/27	NEW RELEASE
B	2019/05/20	UPDATE THE POSITION OF RELEASE PAPER HANDLE



NFC ANTENNA WITH FERRITE
THICKNESS 0.27+/-0.07MM



NFC ANTENNA WITHOUT FERRITE
THICKNESS 0.17+/-0.05MM

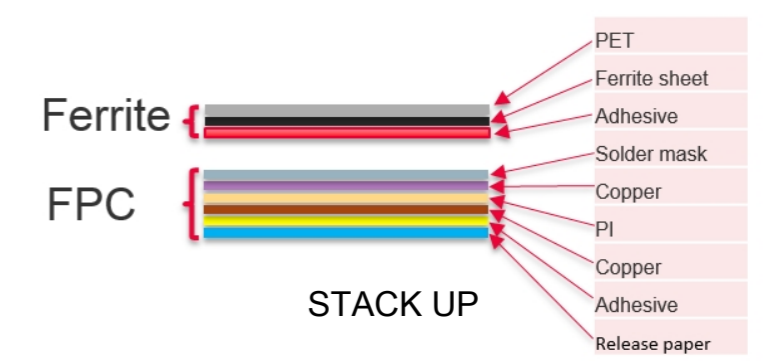
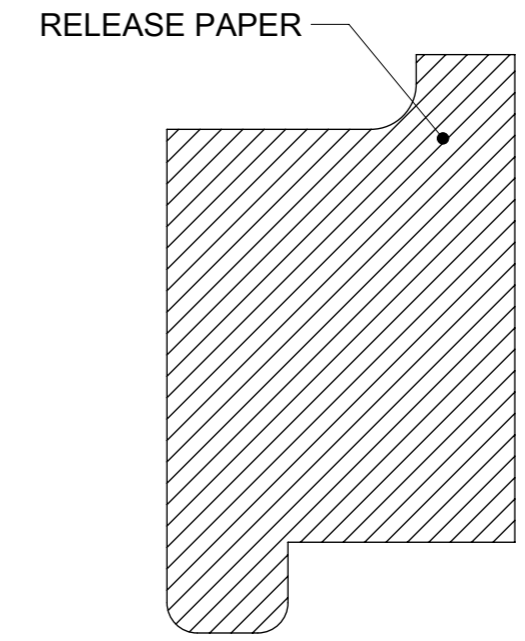


TABLE A				
MATERIAL P/N	DESCRIPTION	A	B	PRINT TEXT
1462360051	RECTANGLE NFC ANTENNA WITHOUT FERRITE	15	15	molex 1462360051
1462360001	RECTANGLE NFC ANTENNA WITHOUT FERRITE	15	25	molex 1462360001
1462360011	RECTANGLE NFC ANTENNA WITHOUT FERRITE	23	27.3	molex 1462360011
1462360021	RECTANGLE NFC ANTENNA WITHOUT FERRITE	34.39	46.1	molex 1462360021
1462360031	RECTANGLE NFC ANTENNA WITHOUT FERRITE	45	55	molex 1462360031
1462360151	RECTANGLE NFC ANTENNA WITH FERRITE	15	15	molex 1462360151
1462360101	RECTANGLE NFC ANTENNA WITH FERRITE	15	25	molex 1462360101
1462360111	RECTANGLE NFC ANTENNA WITH FERRITE	23	27.3	molex 1462360111
1462360121	RECTANGLE NFC ANTENNA WITH FERRITE	34.39	46.1	molex 1462360121
1462360131	RECTANGLE NFC ANTENNA WITH FERRITE	45	55	molex 1462360131

- NOTES:
1. NFC SOLDER MASK COLOR:BLUCK.
 2. FERRITE PET COLOR:BLACK.
 3. FPC SOLDER MASK COLOR:BLACK.
 4. PRINT TEXT:WHITE.
 5. ADHESIVE(NFC):3M 9077 (50um).
 6. MOLEX MATTERIAL P/N SEE TABLE A.

SYMBOLS	THIS DRAWING CONTAINS INFORMATION THAT IS PROPRIETARY TO MOLEX ELECTRONIC TECHNOLOGIES, LLC AND SHOULD NOT BE USED WITHOUT WRITTEN PERMISSION	CURRENT REV DESC:		molex
	mm	SCALE 2:1	EC NO: 624229	
	GENERAL TOLERANCES (UNLESS SPECIFIED)		DRWN: KCHENG06 2019/05/06	
	ANGULAR TOL ± °		CHK'D: XJSONG 2019/10/28	
▽ = 0	4 PLACES ±	APPR: XJSONG 2019/10/28	PRODUCT CUSTOMER DRAWING	
▽ = 0	3 PLACES ±	INITIAL REVISION:	DOCUMENT NUMBER	DOC TYPE
▽ = 0	2 PLACES ± 0.2	DRWN: TZHOU07 2016/08/18	1462360001	PSD
▽ = 0	1 PLACE ± 0.3	APPR: CYU08 2017/04/13	000	B
▽ = 0	0 PLACES ± 0.5	THIRD ANGLE PROJECTION	SEE TABLE	GENERAL MARKET
□ = 0	DRAFT WHERE APPLICABLE MUST REMAIN WITHIN DIMENSIONS	DRAWING	A3-SIZE	SHEET NUMBER
■ = 0		SERIES	146236	1 OF 1