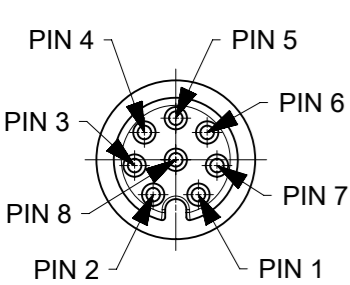
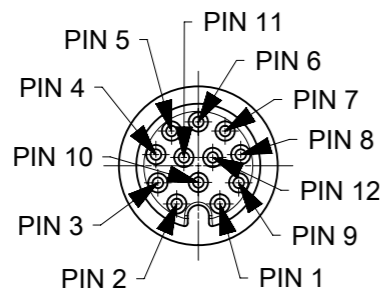


**8 POLE
M12 FEMALE**



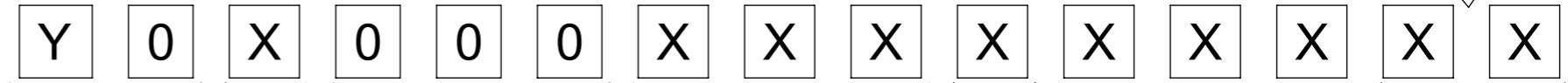
PIN	WIRE COLOR	PIN	WIRE COLOR
1	WH	5	GY
2	BN	6	PK
3	GN	7	BU
4	YE	8	RD

**12 POLE
M12 FEMALE**



PIN	WIRE COLOR	PIN	WIRE COLOR
1	WH	7	BU
2	BN	8	RD
3	GN	9	BK
4	YE	10	VT
5	GY	11	GY/PK
6	PK	12	RD/BU

PART No MATRIX



Y0= ULTRA LOCK 2.0
SINGLE ENDED

POLES:
8 = 8 POLES
C = 12 POLES

HEADER:
000= FEMALE STR

CABLE:
E02 - 8x0.25 PVC BLACK
B41 - 8x0.25 WSOR BLACK
H08 - 8x0.25 PUR-LS0H BLACK
H45 - 12x0.14 PUR BLACK

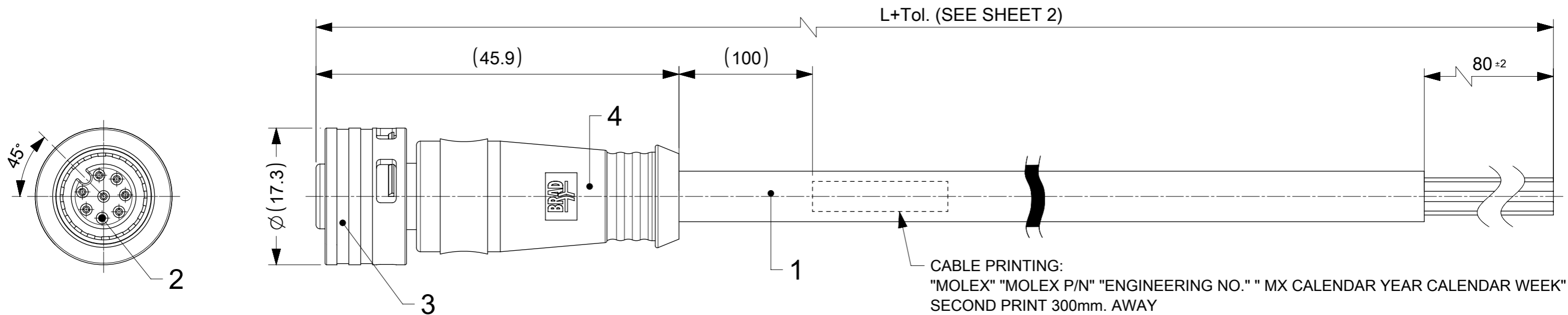
UNIT:
M = METER
F = FEET
C = CENTIMETER
T = 10M

LENGTH:
EXAMPLE:
010 = 1 m
050 = 5 m
100 = 10 m

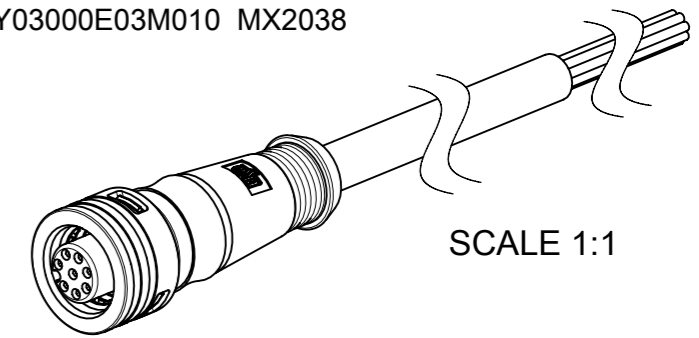
OPTIONS
X X

OVERMOLD:
BLANK = STANDARD BRAD:
-YELLOW IN THE USA
-BLACK IN EUROPE

A = GREY
E = RED
G = BLACK
Y = YELLOW
H = STD. COLOUR WITH TWO
I/D-TAG CARRIERS



- NOTES:
- PARTS ACC. TO PRODUCT SPECIFICATION 1204000001 PS P10 AND IN STYLE OF IEC-61076-2-010
 - BOM & PART LIST - SEE SHEET 2
 - RATED VOLTAGE :
8, 12 CONTACTS: 30V AC OR DC
RATED CURRENT:
8 CONTACTS: 2A
12 CONTACTS: 1.5A,
DERATING HAS TO BE CONSIDERED
OVERVOLTAGE CATEGORY: 3
POLLUTION DEGREE: 3, ONLY IN MATED AND LOCKED CONDITION
 - PROTECTION CLASS: IP 67, ONLY IN MATED AND LOCKED CONDITION
 - TEMPERATURE RANGE:
TEMPERATURE PLUG/SOCKET: -40 °C TO +85 °C
TEMPERATURE CABLE: SEE CABLE LIST
 - MECHANICAL OPERATIONS: 100 CYCLES
 - MATES WITH ULTRA-LOCK M12 MALE RECEPTACLES
 - PACKAGING: THE CORDSETS ARE SINGLE PACKED IN PLASTIC BAGS AND DELIVERED IN CARTON BOXES
 - UL CSA FILE REGISTRATION PENDING



FUNCTIONAL SYMBOLS	THIS DRAWING CONTAINS INFORMATION THAT IS PROPRIETARY TO MOLEX ELECTRONIC TECHNOLOGIES, LLC AND SHOULD NOT BE USED WITHOUT WRITTEN PERMISSION	CURRENT REV DESC: NOTES AND CABLE LIST UPDATED		molex																									
	<table border="1"> <tr> <th>FUNCTIONAL SYMBOLS</th> <th>DIMENSION UNITS</th> <th>SCALE</th> </tr> <tr> <td>∇A = 0</td> <td>mm</td> <td>2:1</td> </tr> <tr> <td colspan="3">GENERAL TOLERANCES (UNLESS SPECIFIED)</td> </tr> <tr> <td>∇E = 0</td> <td colspan="2">ANGULAR TOL ± 1.0 °</td> </tr> <tr> <td>∇F = 0</td> <td>4 PLACES</td> <td>±</td> </tr> </table>	FUNCTIONAL SYMBOLS	DIMENSION UNITS					SCALE	∇A = 0	mm	2:1	GENERAL TOLERANCES (UNLESS SPECIFIED)			∇E = 0	ANGULAR TOL ± 1.0 °		∇F = 0	4 PLACES	±	<table border="1"> <tr> <td>EC NO: 736602</td> <td>2023/01/23</td> </tr> <tr> <td>DRWN: RSCHIEBER</td> <td>2023/01/31</td> </tr> <tr> <td>CHK'D: RSILLER</td> <td>2023/01/31</td> </tr> <tr> <td>APPR: RSILLER</td> <td>2023/01/31</td> </tr> </table>	EC NO: 736602	2023/01/23	DRWN: RSCHIEBER	2023/01/31	CHK'D: RSILLER	2023/01/31	APPR: RSILLER	2023/01/31
	FUNCTIONAL SYMBOLS	DIMENSION UNITS	SCALE																										
	∇A = 0	mm	2:1																										
GENERAL TOLERANCES (UNLESS SPECIFIED)																													
∇E = 0	ANGULAR TOL ± 1.0 °																												
∇F = 0	4 PLACES	±																											
EC NO: 736602	2023/01/23																												
DRWN: RSCHIEBER	2023/01/31																												
CHK'D: RSILLER	2023/01/31																												
APPR: RSILLER	2023/01/31																												
DIVISIONAL SYMBOLS	<table border="1"> <tr> <th>DIVISIONAL SYMBOLS</th> <th>PLACES</th> <th>TOLERANCE</th> </tr> <tr> <td>∇A = 0</td> <td>3 PLACES</td> <td>±</td> </tr> <tr> <td>∇E = 0</td> <td>2 PLACES</td> <td>± 0.05</td> </tr> <tr> <td>∇F = 0</td> <td>1 PLACE</td> <td>± 0.3</td> </tr> <tr> <td>∇G = 0</td> <td>0 PLACES</td> <td>± 0.5</td> </tr> </table>	DIVISIONAL SYMBOLS	PLACES	TOLERANCE	∇A = 0	3 PLACES	±	∇E = 0	2 PLACES	± 0.05	∇F = 0	1 PLACE	± 0.3	∇G = 0	0 PLACES	± 0.5	<table border="1"> <tr> <td>INITIAL REVISION:</td> <td>2020/09/15</td> </tr> <tr> <td>DRWN: RSCHIEBER</td> <td>2020/09/29</td> </tr> <tr> <td>APPR: RSILLER</td> <td>2020/09/29</td> </tr> </table>	INITIAL REVISION:	2020/09/15	DRWN: RSCHIEBER	2020/09/29	APPR: RSILLER	2020/09/29	PRODUCT CUSTOMER DRAWING					
DIVISIONAL SYMBOLS	PLACES	TOLERANCE																											
∇A = 0	3 PLACES	±																											
∇E = 0	2 PLACES	± 0.05																											
∇F = 0	1 PLACE	± 0.3																											
∇G = 0	0 PLACES	± 0.5																											
INITIAL REVISION:	2020/09/15																												
DRWN: RSCHIEBER	2020/09/29																												
APPR: RSILLER	2020/09/29																												
DRAFT WHERE APPLICABLE MUST REMAIN WITHIN DIMENSIONS		THIRD ANGLE PROJECTION	DRAWING	SERIES	MATERIAL NUMBER	CUSTOMER	SHEET NUMBER																						
			A3-SIZE	120400	SEE SHEET 2	GENERAL MARKET	1 OF 2																						

