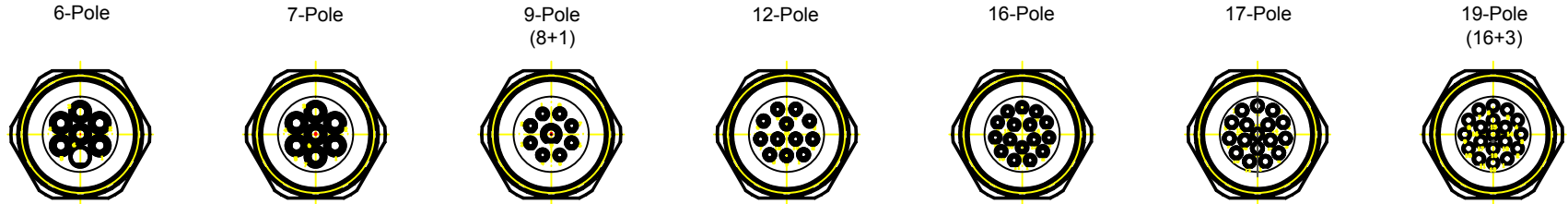
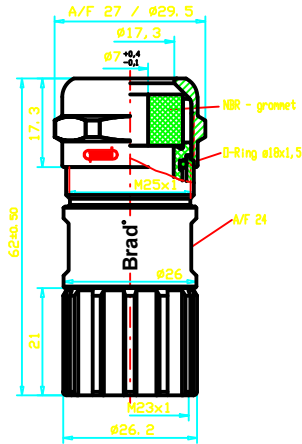


Views from "X"

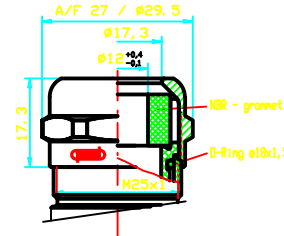


	Cable Diameter	Solder Contacts	Crimp Contacts	Without Contacts
6 Pole	3 – 7mm	KAS6S00-551	KAS6S00-401	KAS6S00-001
		1202300001	1202300004	1202300007
	7 – 12mm	KAS6S00-555	KAS6S00-405	KAS6S00-005
		1202300002	1202300005	1202300008
	11 – 17mm	KAS6S00-559	KAS6S00-409	KAS6S00-009
Crimp range*		1202300003	1202300006	1202300009
7 Pole	3 – 7mm	KAS7S00-551	KAS7S00-401	KAS7S00-001
		1202300010	1202300013	1202300016
	7 – 12mm	KAS7S00-555	KAS7S00-405	KAS7S00-005
		1202300011	1202300014	1202300017
	11 – 17mm	KAS7S00-559	KAS7S00-409	KAS7S00-009
Crimp range*		1202300012	1202300015	1202300018
9 Pole (8+1)	3 – 7mm	KAS9S00-551	KAS9S00-421	KAS9S00-001
		1202300019	1202300022	1202300025
	7 – 12mm	KAS9S00-555	KAS9S00-425	KAS9S00-005
		1202300020	1202300023	1202300026
	11 – 17mm	KAS9S00-559	KAS9S00-429	KAS9S00-009
Crimp range*		1202300021	1202300024	1202300027
12 Pole	3 – 7mm	KASCS00-551	KASCS00-021	KASCS00-001
		1202300028	1202300031	1202300034
	7 – 12mm	KASCS00-555	KASCS00-025	KASCS00-005
		1202300029	1202300032	1202300035
	11 – 17mm	KASCS00-559	KASCS00-029	KASCS00-009
Crimp range*		1202300030	1202300033	1202300036
16 Pole	3 – 7mm	KASHS00-551	KASHS00-021	KASHS00-001
		1202300037	1202300040	1202300043
	7 – 12mm	KASHS00-555	KASHS00-025	KASHS00-005
		1202300038	1202300041	1202300044
	11 – 17mm	KASHS00-559	KASHS00-029	KASHS00-009
Crimp range*		1202300039	1202300042	1202300045
17 Pole	3 – 7mm	KASJS00-551	KASJS00-021	KASJS00-001
		1202300046	1202300049	1202300052
	7 – 12mm	KASJS00-555	KASJS00-025	KASJS00-005
		1202300047	1202300050	1202300053
	11 – 17mm	KASJS00-559	KASJS00-029	KASJS00-009
Crimp range*		1202300048	1202300051	1202300054
19 Pole (16+3)	3 – 7mm	KASLS00-551	KASLS00-221	KASLS00-001
		1202300055	1202300058	1202300061
	7 – 12mm	KASLS00-555	KASLS00-225	KASLS00-005
		1202300056	1202300059	1202300062
	11 – 17mm	KASLS00-559	KASLS00-229	KASLS00-009
Crimp range*		1202300057	1202300060	1202300063

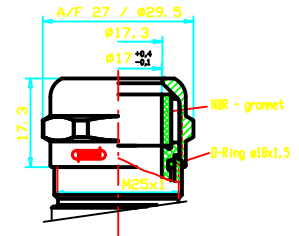
Cable Diameter
3 - 7 mm



Cable Diameter
7 - 12 mm



Cable Diameter
11 - 17 mm



Notes:

Tolerances (unless specified): DIN ISO 2768 m

*Crimp range only applies to "Crimp Contacts" version

DESCRIPTION EC NO.: WEL2009-0135 DRWN.: BBRAUCH CHKD.: APPR.: JKOLB	QUALITY SYMBOLS ▽ = 0 ▽ = 0	GENERAL TOLERANCES (UNLESS SPECIFIED) mm INCH 4 PLACES ±---- ±---- 3 PLACES ±---- ±---- 2 PLACES ±0.05 ±---- 1 PLACE ±0.1 ±---- ANGULAR ± --- °	DIMENSION STYLE MM DRAWN BY DATE BB 2008/11/10 CHECKED BY DATE JKO 2008/12/09 APPROVED BY DATE MATERIAL NO.	SCALE --- DESIGN UNITS METRIC FIRST ANGLE PROJECTION	M23 FA CABLE CONNECTOR FEMALE STRAIGHT MOLEX INCORPORATED SD-120230-001 SHEET NO. 1 OF 1
	DRAFT WHERE APPLICABLE MUST REMAIN WITHIN DIMENSIONS	see table	THIS DRAWING CONTAINS INFORMATION THAT IS PROPRIETARY TO MOLEX INCORPORATED AND SHOULD NOT BE USED WITHOUT WRITTEN PERMISSION		
	SIZE A3	DRAFT WHERE APPLICABLE MUST REMAIN WITHIN DIMENSIONS	THIS DRAWING CONTAINS INFORMATION THAT IS PROPRIETARY TO MOLEX INCORPORATED AND SHOULD NOT BE USED WITHOUT WRITTEN PERMISSION		
	REV 1	DRAFT WHERE APPLICABLE MUST REMAIN WITHIN DIMENSIONS	THIS DRAWING CONTAINS INFORMATION THAT IS PROPRIETARY TO MOLEX INCORPORATED AND SHOULD NOT BE USED WITHOUT WRITTEN PERMISSION		