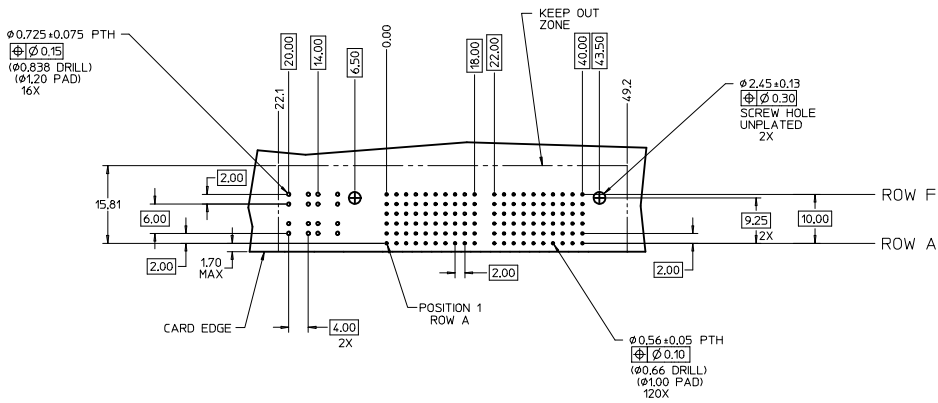
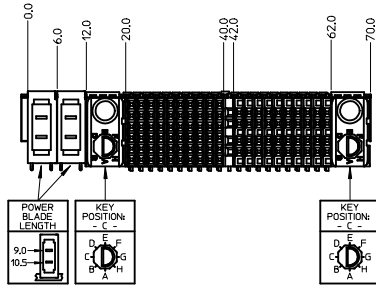
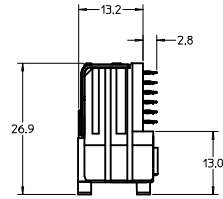
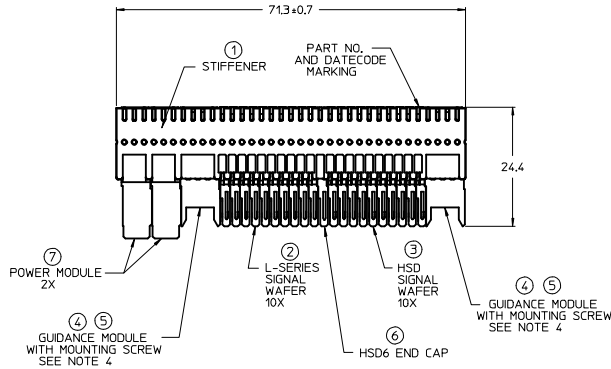


CUSTOMER: DIGITAL CHINA



DAUGHTERCARD HOLE PATTERN  
(CONNECTOR SIDE)

NOTES:

1. MATERIALS: HOUSING : LIQUID CRYSTAL POLYMER (LCP) GLASS-FILLED, UL94V-0, BLACK.  
TERMINALS: COPPER ALLOY  
STIFFENER: STAINLESS STEEL
2. FINISH: SELECTIVE GOLD (Au) 0.76 MICROMETERS MINIMUM IN CONTACT AREA, SELECTIVE MATTE TIN (Sn) IN TAIL AREA, NICKEL (Ni) UNDERPLATE OVERALL.
3. REFER TO MOLEX PRODUCT SPECIFICATION PS-74031-999 FOR PERFORMANCE SPECIFICATIONS.
4. PACKAGED PER PK-70873-5040.  
SCREWS PACKED IN BAGS INSIDE OF TUBES.
5. REFER TO MOLEX DOCUMENT SD-75187-001 FOR ADDITIONAL DETAIL ON THE VHDM L-SERIES SIGNAL WAFER.
6. REFER TO MOLEX DOCUMENT SD-74881-002 FOR ADDITIONAL DETAIL ON THE HSD SIGNAL WAFER.
7. REFER TO MOLEX DOCUMENT SD-74037-005 FOR ADDITIONAL DETAIL ON THE GUIDANCE MODULE.
8. REFER TO MOLEX DOCUMENT SD-75885-001 FOR ADDITIONAL DETAIL ON THE LEAD-FREE POWER MODULE.
9. REFER TO MOLEX DOCUMENT SD-74888-001 FOR ADDITIONAL DETAIL ON THE END CAP.
10. MARK LABEL WITH PART NUMBER AND DATE CODE.  
LABEL MAY BE REPLACED BY LASER MARKINGS ON THE STIFFENER.
11. THIS PART CONFORMS TO CLASS B REQUIREMENTS OF MOLEX COSMETIC SPECIFICATION PS-45499-002.

ITEM	PART NUMBER	DESCRIPTION	QTY
1	74036-0091	STIFFENER	1
2	75187-1005	SIGNAL WAFER - L-SERIES 6, LF	10
3	74881-1001	SIGNAL WAFER - HSD6, LF	10
4	74037-6002	POLARIZING/GUIDE MODULE	2
5	73726-0000	GUIDE MODULE MNTG SCREW	2
6	74888-0001	END CAP - HSD6	1
7	75885-6320	POWER MODULE, LF	2

LEAD-FREE  
PLATING

<b>CHG TO LEAD-FREE</b> IEC NO: LCP2013-0443 DRAWN BY: JLAURX CHECKED BY: NMARTIN APPROVED BY: SMILLER DATE: 2012/08/16	QUALITY SYMBOLS ▽=0 ▽=0 ▽=0	GENERAL TOLERANCES (UNLESS SPECIFIED) <table border="1"> <tr> <th></th> <th>mm</th> <th>INCH</th> </tr> <tr> <td>4 PLACES</td> <td>±---</td> <td>±---</td> </tr> <tr> <td>3 PLACES</td> <td>±---</td> <td>±---</td> </tr> <tr> <td>2 PLACES</td> <td>±0.25</td> <td>±---</td> </tr> <tr> <td>1 PLACE</td> <td>±0.38</td> <td>±---</td> </tr> <tr> <td>0 PLACE</td> <td>±---</td> <td>±---</td> </tr> </table>		mm	INCH	4 PLACES	±---	±---	3 PLACES	±---	±---	2 PLACES	±0.25	±---	1 PLACE	±0.38	±---	0 PLACE	±---	±---	DIMENSION STYLE <b>MM ONLY</b>	SCALE <b>2:1</b>	DESIGN UNITS <b>METRIC</b>	THIRD ANGLE PROJECTION
		mm	INCH																					
	4 PLACES	±---	±---																					
	3 PLACES	±---	±---																					
2 PLACES	±0.25	±---																						
1 PLACE	±0.38	±---																						
0 PLACE	±---	±---																						
DRAWING NO: 2012/04/16 CHYKHOVOLF APPROX: SMILLER DATE: 2012/08/09	DATE: 03/09/18 DATE: 03/09/18 DATE: 2012/08/09	TITLE <b>VHDM-L / HSD 6 ROW LF HYBRID DAUGHTERCARD SALES DRAWING</b>	<b>molex</b>	MATERIAL NO. <b>75296-0008</b>	DOCUMENT NO. <b>SD-75296-008</b>	SHEET NO. <b>1 OF 1</b>																		
DRAFT WHERE APPLICABLE MUST REMAIN WITHIN DIMENSIONS		ANGULAR ±1/2°		THIS DRAWING CONTAINS INFORMATION THAT IS PROPRIETARY TO MOLEX INCORPORATED AND SHOULD NOT BE USED WITHOUT WRITTEN PERMISSION																				