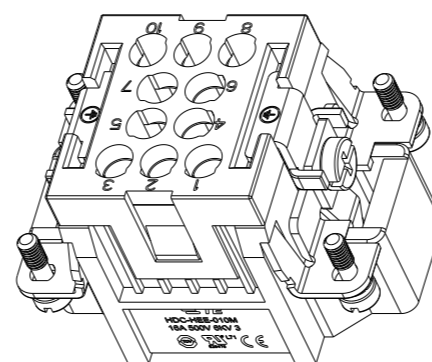
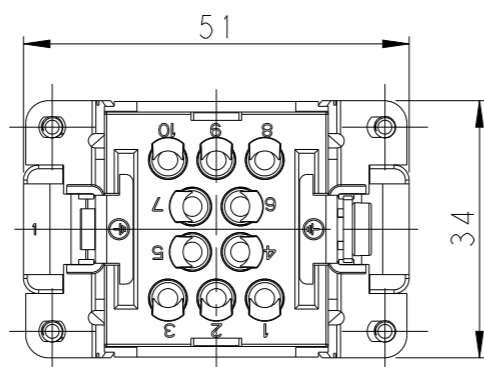
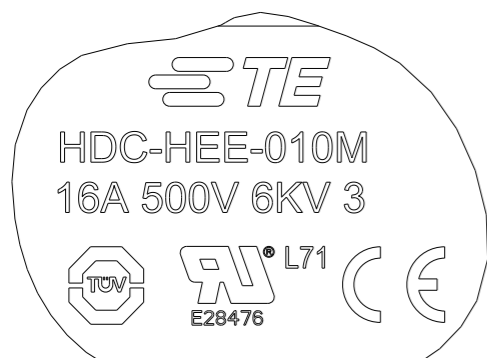


REVISIONS

P	LTR	DESCRIPTION	DATE	DWN	APVD
A		INITIAL RELEASE	09MAR2015	DL	CW
B		ECR-15-014907	14OCT2015	DL	CW
B1		ECR-16-015492	18NOV2016	QY	CW
C		ECR-21-106767	09JUL2021	BS	CW



TYPE-1, T2050102101-000, TE LOGO  
 类型-1, T2050102101-000, TE LOGO

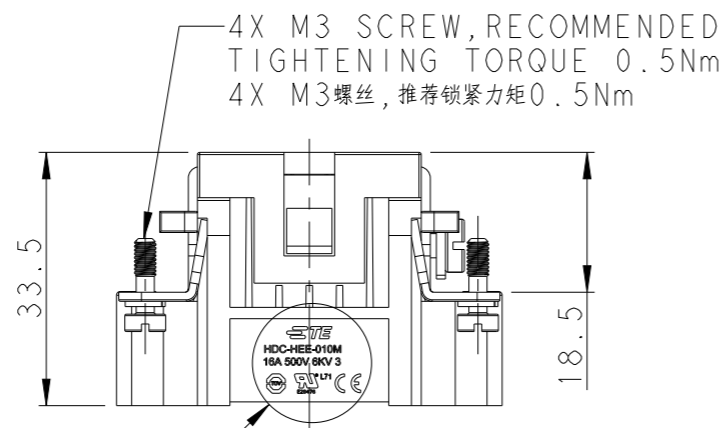
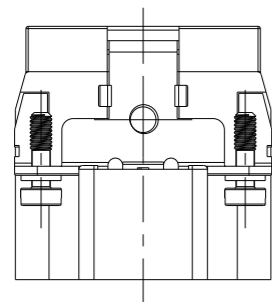
NOTES:

- TECHNICAL CHARACTERISTICS:  
 INSULATION MATERIAL: PC  
 RATED VOLTAGE: 500 V  
 RATED CURRENT: 16 A  
 INSULATION RESISTANCE:  $\geq 400M\Omega$   
 RATED IMPULSE VOLTAGE: 6 KV  
 POLLUTION DEGREE: 3  
 FLAMMABILITY: UL94V-0  
 MATING CYCLES: 500 CYCLES  
 WIRE RANGE: 0.14-4 mm<sup>2</sup> (26-12 AWG)  
 CONTACT TYPE: CRIMP CONTACT
- CONTACT NEED TO BE ORDERED SEPARATELY.  
 (ORDER No. T20300X10XX-000)

注释:

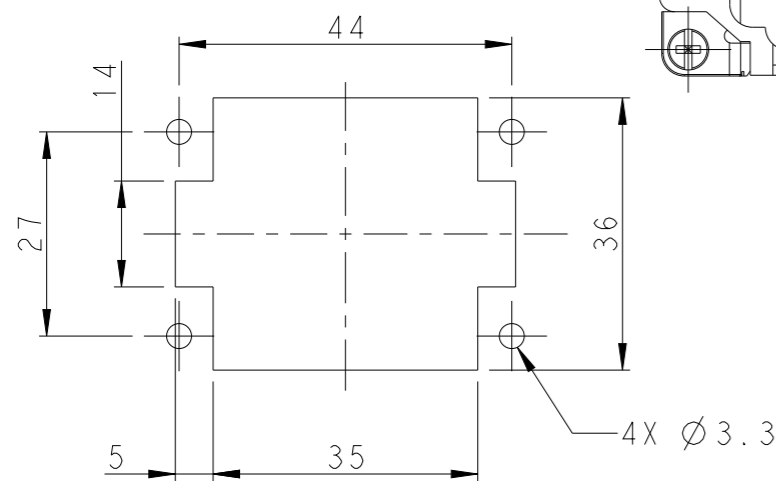
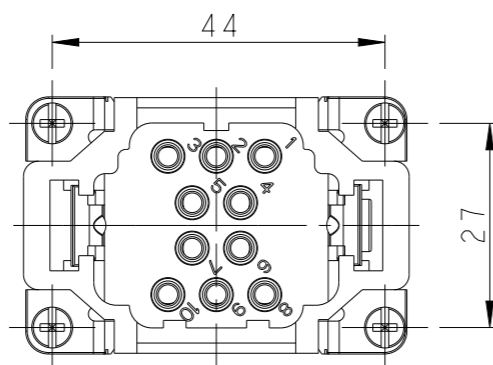
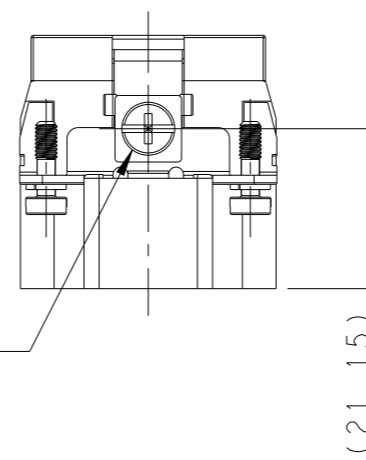
- 技术参数:  
 绝缘材料: PC  
 额定电压: 500V  
 额定电流: 16A  
 绝缘电阻:  $\geq 400M\Omega$   
 额定脉冲电压: 6 KV  
 污染等级: 3  
 阻燃等级: UL94V-0  
 插拔次数: 500次  
 接线范围: 0.14-4 mm<sup>2</sup> (26-12 AWG)  
 接线类型: 冷压接
- 端子需要单独订购。  
 (订货号 T20300X10XX-000)

DETAIL A  
4:1



DETAIL A

M4 SCREW, RECOMMENDED  
 TIGHTENING TORQUE 1.2Nm  
 M4螺丝, 推荐锁紧力矩1.2Nm



PANEL CUT FOR INSERTS FOR USING  
 WITHOUT HOODS/ HOUSINGS  
 不使用防护外壳时芯件的安装开孔图

THIS DRAWING IS A CONTROLLED DOCUMENT.		DWN DAVID LI 09MAR2015	TE Connectivity NAME HEE-010-M	
		CHK CHRIS WANG 09MAR2015		
		APVD XU XIANG 09MAR2015		
		PRODUCT SPEC 108-106137		
DIMENSIONS: mm		TOLERANCES UNLESS OTHERWISE SPECIFIED:		APPLICATION SPEC 114-106137
		0 PLC ±-	1 PLC ±-	2 PLC ±-
		3 PLC ±-	4 PLC ±-	ANGLES ±-
MATERIAL -		FINISH -		WEIGHT -
		Customer Drawing		SCALE 1:1 SHEET 1 OF 3 REV C

THIS DRAWING IS UNPUBLISHED.

RELEASED FOR PUBLICATION

20

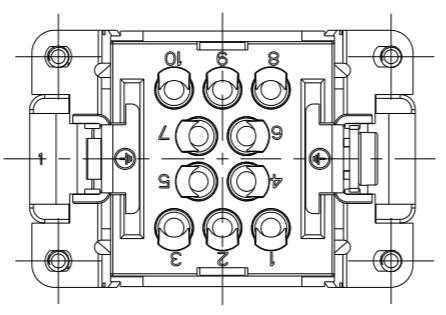
© COPYRIGHT 20 BY -

ALL RIGHTS RESERVED.

REVISIONS

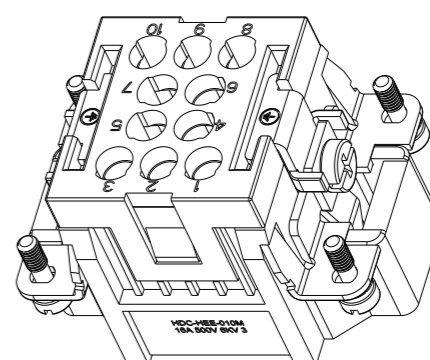
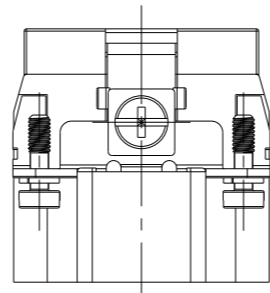
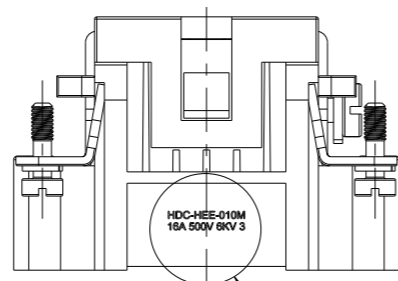
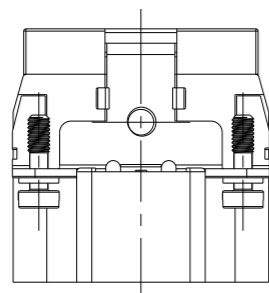
P	LTR	DESCRIPTION	DATE	DWN	APVD
-	-	SEE SHEET 1	-	-	-

HDC-HEE-010M  
16A 500V 6KV 3



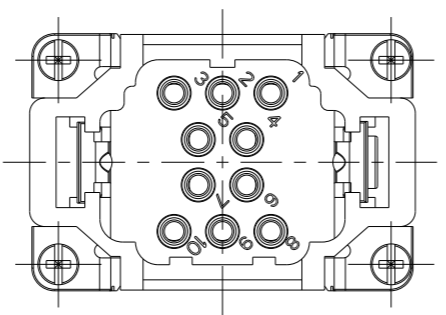
DETAIL B  
4:1

NOTE:  
SEE SHEET 1  
注释:  
见页 1




DETAIL B

TYPE-2, T2059102101-000, NO TE LOGO  
类型-2, T2059102101-000, 无TE LOGO



ALL SPEC DIMENSION REFER TO TYPE I  
所有产品规格尺寸参照 TYPE I

THIS DRAWING IS A CONTROLLED DOCUMENT.		DWN 09MAR2015 DAVID LI		 TE Connectivity	
DIMENSIONS: mm		CHK 09MAR2015 CHRIS WANG			
TOLERANCES UNLESS OTHERWISE SPECIFIED:		APVD 09MAR2015 XU XIANG		PRODUCT SPEC 108-106137	
0 PLC ±- 1 PLC ±- 2 PLC ±- 3 PLC ±- 4 PLC ±- ANGLES ±-		APPLICATION SPEC 114-106137		RESTRICTED TO	
MATERIAL		FINISH		WEIGHT	
-		-		-	
Customer Drawing				SIZE A3	CAGE CODE -
				DRAWING NO. ©-T2050102101000	RESTRICTED TO -
				SCALE 1:1	SHEET 2 OF 3
				REV C	

4

3

2

1

THIS DRAWING IS UNPUBLISHED.

RELEASED FOR PUBLICATION

20

© COPYRIGHT 20 BY -

ALL RIGHTS RESERVED.

REVISIONS

P	LTR	DESCRIPTION	DATE	DWN	APVD
	-	SEE SHEET 1	-	-	-

NOTES:

SEE SHEET 1

注释:  
见页 1






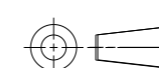




TYPE-3, T2050102101-001, STAINLESS STEEL SCREW, NO LOGO  
类型-3, T2050102101-001, 不锈钢螺丝, 无LOGO

ALL SPEC DIMENSION REFER TO TYPE 1  
所有产品规格尺寸参照 TYPE 1

T2050102101-001	HEE-010-M	HEE-010 MALE INSERT, STAINLESS STEEL SCREW, NO LOGO HEE-010 公插, 不锈钢螺丝, 无LOGO	TYPE-3 类型-3
T2059102101-000	HEE-010-M	HEE-010 MALE INSERT, NO TE LOGO HEE-010 公插, 无TE LOGO	TYPE-2 类型-2
T2050102101-000	HEE-010-M	HEE-010 MALE INSERT HEE-010 公插	TYPE-1 类型-1
PART NUMBER 料号	PART DESCRIPTION 描述		TYPE 类型

THIS DRAWING IS A CONTROLLED DOCUMENT.		DWN DAVID LI 09MAR2015	 TE Connectivity				
DIMENSIONS: mm		CHK CHRIS WANG 09MAR2015			NAME HEE-010-M		
TOLERANCES UNLESS OTHERWISE SPECIFIED:		APVD XU XIANG 09MAR2015					
		PRODUCT SPEC 108-106137	SIZE A3	CAGE CODE -	DRAWING NO T2050102101000	RESTRICTED TO -	
MATERIAL -		FINISH -	APPLICATION SPEC 114-106137	WEIGHT -	SCALE 1:1	SHEET 3 OF 3	REV C
		Customer Drawing					

1470-19 (3/13)