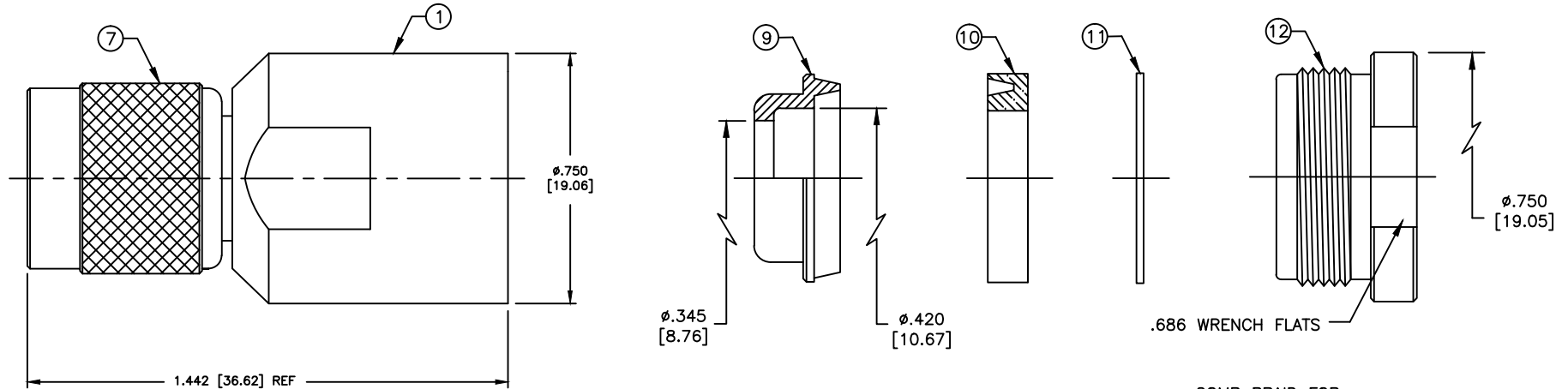


# SPECIFICATION CONTROL DRAWING

THIS DRAWING CONTAINS INFORMATION PROPRIETARY TO RF INDUSTRIES, LTD. ANY UNAUTHORIZED USE OF THIS DRAWING IS EXPRESSLY PROHIBITED. ANY VIOLATION IS PUNISHABLE UNDER U.S. COPYRIGHT LAWS.

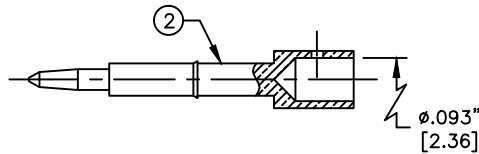
REV	DESCRIPTION	DWN	DATE	APPROVED
-	ENGINEERING RELEASE	JDM	11/13/07	R. RICE

ALL DIMENSIONS ARE REFERENCE ONLY

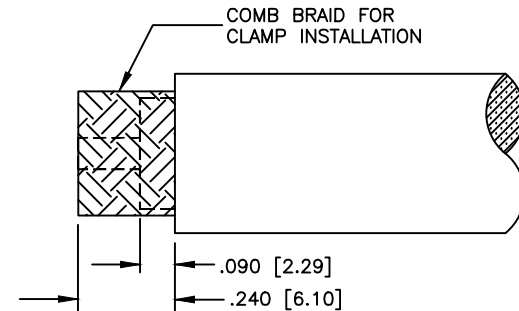


## SPECIFICATIONS:

IMPEDANCE: 50 Ohms  
 WORKING VOLTAGE: 500 VRMS @ SEA LEVEL  
 FREQUENCY RANGE: 0-7 GHz  
 INSERTION LOSS: ≤ -.2 dB @ 3 GHz  
 VSWR MAX: 1.3:1 @ 3 GHz  
 FOR RG-213/U, RG-8/U TYPE,



RECOMMENDED CRIMP DIE: .118" OR .128"  
 OR SOLDER TO CENTER CONDUCTOR



SUGGESTED STRIPPING INSTRUCTIONS

ITEM	DESCRIPTION	QTY	MATERIAL	FINISH
12	BACK NUT	1	BRASS	SILVER
11	WASHER	1	BRASS	SILVER
10	GASKET	1	S.I. RUBBER	RED
9	CLAMP	1	BRASS	SILVER
8	PRESS FIT WASHER	1	BRASS	SILVER
7	SHELL	1	BRASS	SILVER
6	PRES FIT SLEEVE	1	BRASS	NONE
5	SPLIT LOCK WASHER	1	BRASS	SILVER
4	GASKET	1	S.I. RUBBER	RED
3	DIELECTRIC	1	PTFE	NONE
2	PIN (009-12M-016-BG)	1	BRASS	GOLD
1	BODY	1	BRASS	SILVER

DIMENSIONS ARE IN INCHES AND [MILLIMETERS]

UNLESS OTHERWISE NOTED TOLERANCES ARE:  
 DECIMALS DIAMETER

DRAWN	JDMc	11/14/07
CHECKED		
ORJ DRAWN	JDMc	11/14/07

APPROVALS	DATE
-----------	------

**RFconnectors**  
 DIVISION OF RF INDUSTRIES, LTD.

7610 MIRAMAR RD  
 SAN DIEGO, CA 92126  
 (858) 549-6340  
 (858) 549-6345 FAX

RFT-1201-2E

TNC MALE CLAMP

SIZE	CABLE GROUP	DWG NO.	REV
A	E	RFT-1202-2E	-
SCALE:	2:1	CAD FILE	D:\DETAIL1
SHEET		1 OF 1	