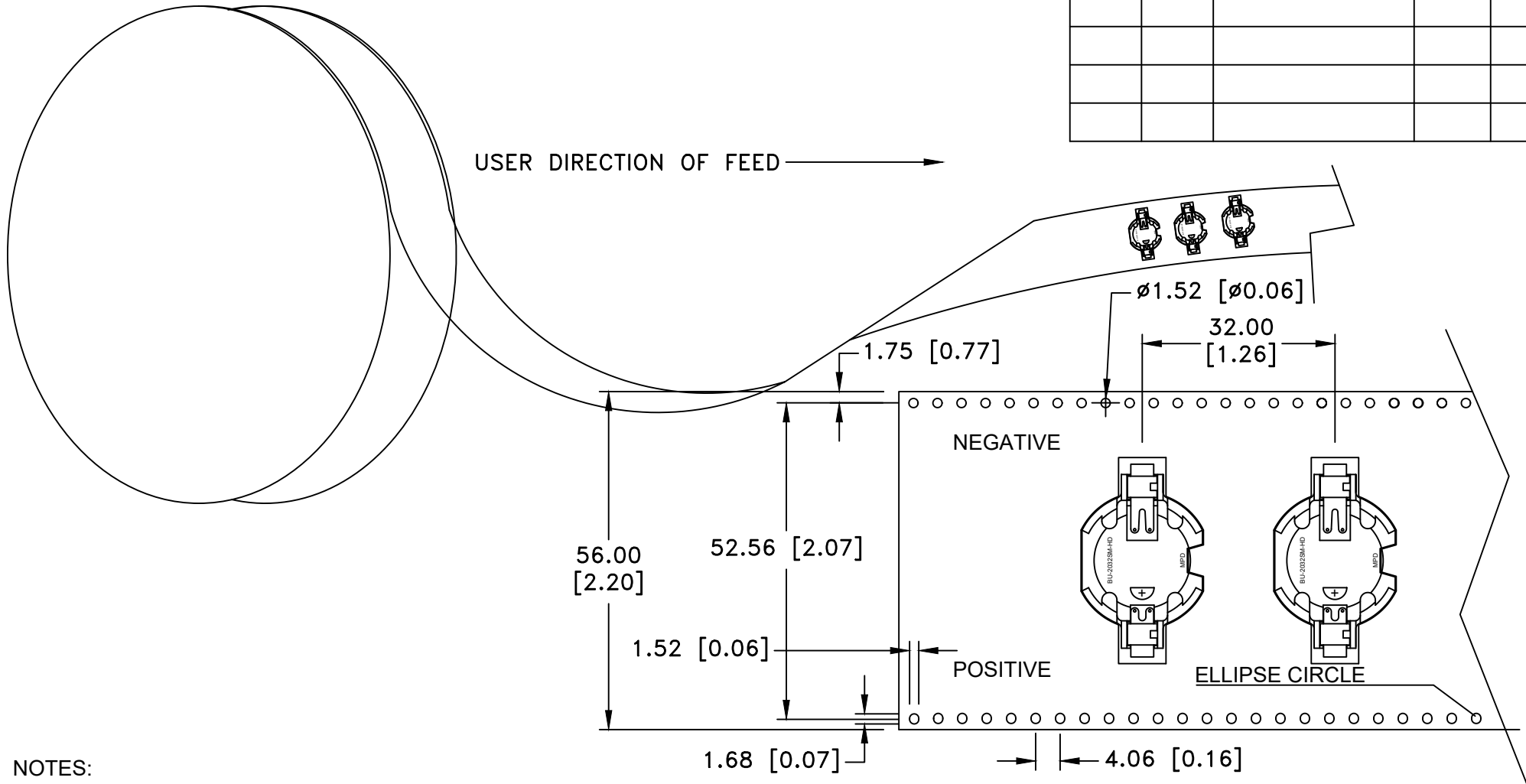



Date	SYM	REVISION RECORD	AUTH	DR.	CK.



- NOTES:
1. 10 Sprocket hole pitch cumulative tolerance ± 0.20 mm
 2. Carrier camber not to exceed 1mm in 250mm
 3. Material: Transparent Anti-static Polystyrene
 4. Thickness: 0.35 ± 0.05 mm
 5. Component loader per 13" reel: 400 pcs
 6. All dimensions per EIA-481-2A

Tolerance (Except as noted)	 Memory Protection Devices, Inc 200 Broad Hollow Road, Farmingdale, New York 11735	
decimal		Scale
$\pm .5$ (.020)		Drawn By B.S.
		Approved By T.B.
Fractional	Title	
$\pm .8$ (.030)	TAPE AND REEL SPECIFICATION FOR SURFACE MOUNT BATTERY HOLDER FOR CR2032	
Angular	Date	Drawing Number
$\pm 3^\circ$	11/07/19	BU2032SM-HD-G-99