



LAYOUT SHOWN AS EXAMPLE

Keying Shown as example

CHARACTERISTICS

- Standard : Based on MIL-DTL-38999 Series III
- Shell Material : Stainless Steel
- Shell Plating : Passivated
- Insulator : Thermoplastic
- Contacts : Copper Alloy
- Seals & Grommet : Silicon Elastomer
- Contact Plating : Gold over copper Alloy 0.8µm minimum
- Durability : 500 Mating cycles
- Delivered without Souriau contacts
- Temperature Range : -65°C to +200°C
- Salt Spray : 500 hours

Connector dimension	
Dim	Nominal
A	44.5±0.3
B	30.15+0.1/-0.15
R	32.5Max
S	41.3±0.4
W	2.2+0.9/-0.1
VV THREAD	M25x1-6g

SOURIAU shall not be liable for any non-conformity or damage due to a use of the Products which does not comply with the Specifications issued by either of the Parties or by a third party (professional recommendation, technical notice.)

Country	Jurisdiction & Control List
FR	Not Listed

PN: 8D717K75SDL

A	30-09-2016	First Release	
ISS	DATE	Latest modification - by	MOD N°
Designed By:		Date:	CUSTOMER DRAWING

TITLE	Stainless Steel Receptacle 8D series		
SCALE	NA	General linear Tolerances: ±--	NPRDS / PROJECT 859

SOURIAU	WWW.SOURIAU.COM	This document is the property of SOURIAU it must not be reproduced or communicated without permission
----------------	------------------------	---

FORMAT A3	SOURIAU DRG N° 8D717K75SDL-C	SHEET 1/2
---------------------	---	--------------

BASIC SERIES:	8D	7	-	17	K	75	S	D	L	Delivered W/O Contacts
SHELL TYPE	: Jam nut Receptacle									ORIENTATION : D
CONTACT TYPE	: Standard Crimp Contact									CONTACT TYPE : SOCKET(500 Matings)
SHELL SIZE	: 17									CONTACT LAYOUT : 17-75
PLATING	: K = Passivated									

Contact Layout

75

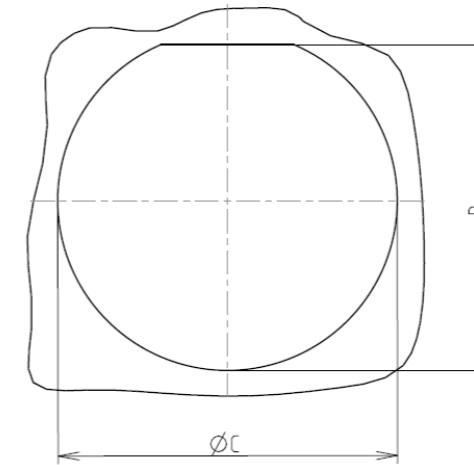


2#8 Triax

17-75		
Ctc	X	Y
A	0	4.75
B	0	-4.75

Panel cutout

JAM NUT RECEPTACLE (TYPE 7)



Dim	Nominal
B	30.73+0/-0.25
ØC	32.01+0.25/-0

SOURIAU shall not be liable for any non-conformity or damage due to a use of the Products which does not comply with the Specifications issued by either of the Parties or by a third party (professional recommendation, technical notice.)

Country	Jurisdiction & Control List
FR	Not Listed

PN: 8D717K75SDL

A	30-09-2016	First Release	
ISS	DATE	Latest modification - by	MOD N°
Designed By:		Date:	CUSTOMER DRAWING
TITLE	Stainless Steel Receptacle 8D series		
SCALE		General linear Tolerances: ±--	NPRDS / PROJECT 859
SOURIAU	WWW.SOURIAU.COM		This document is the property of SOURIAU it must not be reproduced or communicated without permission
FORMAT A3	SOURIAU DRG N° 8D717K75SDL-C		SHEET 2/2