



LAYOUT SHOWN AS EXAMPLE

Keying Shown as example

CHARACTERISTICS

- Standard : Based on MIL-DTL-38999 Series III
- Shell Material : Aluminium
- Shell Plating : Black Zinc Nickel
- Insulator : Thermoplastic
- Contacts : Copper Alloy
- Seals & Grommet : Silicon Elastomer
- Contact Plating : Gold over copper Alloy 0.8µm minimum
- Durability : 500 Mating cycles
- Delivered with Souriau contacts and Accessories
- Temperature Range : -65°C to +175°C
- Salt Spray : 500 hours
- Mass : 17.8 g ± 10%

Connector dimension	
Dim	Nominal
A	34.9±0.3
B	19.07+0.1/-0.15
R	32.5Max
S	31.8±0.4
W	2.2+0.9/-0.1
VV THREAD	M15x1-6g

SOURIAU shall not be liable for any non-conformity or damage due to a use of the Products which does not comply with the Specifications issued by either of the Parties or by a third party (professional recommendation, technical notice.)

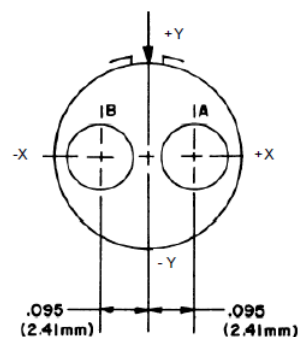
Country	Jurisdiction & Control List
FR	Not Listed

PN: 8D711Z02PE

A	01-10-2016	First Release	
ISS	DATE	Latest modification - by	MOD N°
Designed By:		Date:	CUSTOMER DRAWING
TITLE	Aluminium Receptacle 8D series		
SCALE		General linear Tolerances: ±--	NPRDS / PROJECT 859
NA	SOURIAU WWW.SOURIAU.COM		This document is the property of SOURIAU it must not be reproduced or communicated without permission
FORMAT	A3		SOURIAU DRG N° 8D711Z02PE-C
			SHEET 1/2

BASIC SERIES:	8D	7	-	11	Z	02	P	E	ORIENTATION : E
SHELL TYPE :	Jam nut Receptacle								
CONTACT TYPE :	Standard Crimp Contact								
SHELL SIZE :	11								
PLATING :	Z = Black Zinc Nickel								
									CONTACT TYPE : PIN(500 Matings)
									CONTACT LAYOUT : 11-02

Contact Layout



Contacts (Insert arrangement 11-2)		
Contact position ID	Contact location	
	X-axis (mm)	Y-axis (mm)
A	+0.095 (2.41)	+0.000 (.00)
B	-0.095 (2.41)	+0.000 (.00)

Shell size	Arrangement no.	Number of contacts	Size contacts	Service rating	Contact location
11	-2	2	16	I	All

Panel cutout

JAM NUT RECEPTACLE (TYPE 7)



Dim	Nominal
B	19.59+0/-0.25
ØC	20.96+0.25/-0

SOURIAU shall not be liable for any non-conformity or damage due to a use of the Products which does not comply with the Specifications issued by either of the Parties or by a third party (professional recommendation, technical notice.)

Country	Jurisdiction & Control List
FR	Not Listed

PN: 8D711Z02PE

A	01-10-2016	First Release	
ISS	DATE	Latest modification - by	MOD N°
Designed By:		Date:	CUSTOMER DRAWING
TITLE	Aluminium Receptacle 8D series		
SCALE		General linear Tolerances:	NPRDS / PROJECT
NA		±--	859
SOURIAU	WWW.SOURIAU.COM		This document is the property of SOURIAU it must not be reproduced or communicated without permission
FORMAT	SOURIAU DRG N° 8D711Z02PE-C		SHEET 2/2