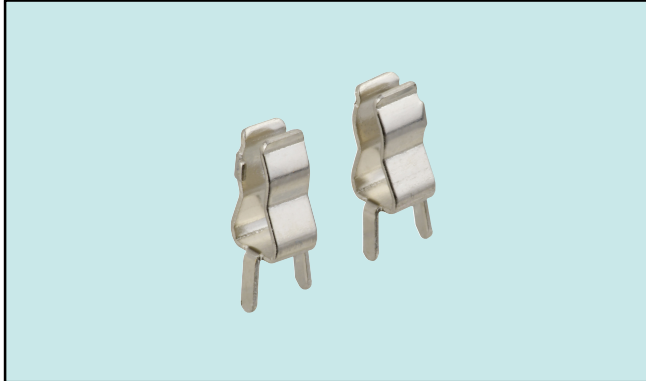


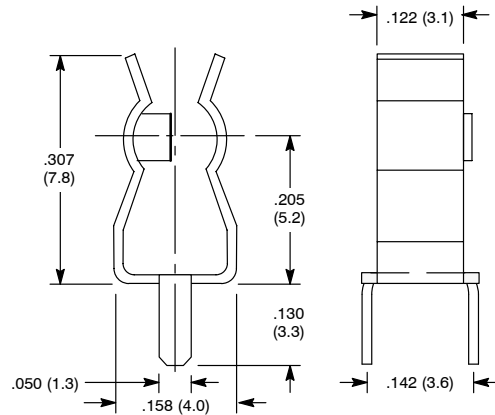
# 74-FC3, Fuse Clips

## Specifications:

- For 3.6 x 10mm Fuse
- Contact Resistance:  $-10M\Omega$  Max
- Rating: 6A / 250VAC



FA-01



# 74-FC5, Fuse Clips (Double Fluted)

## Specifications:

- For 5 x 20mm Fuse
- Contact Resistance:  $-10M\Omega$  Max
- Rating: 5A / 250VAC



FA-02

