

4

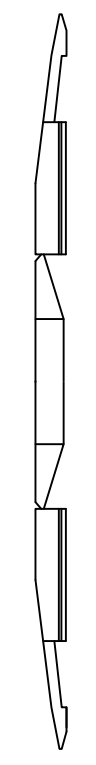
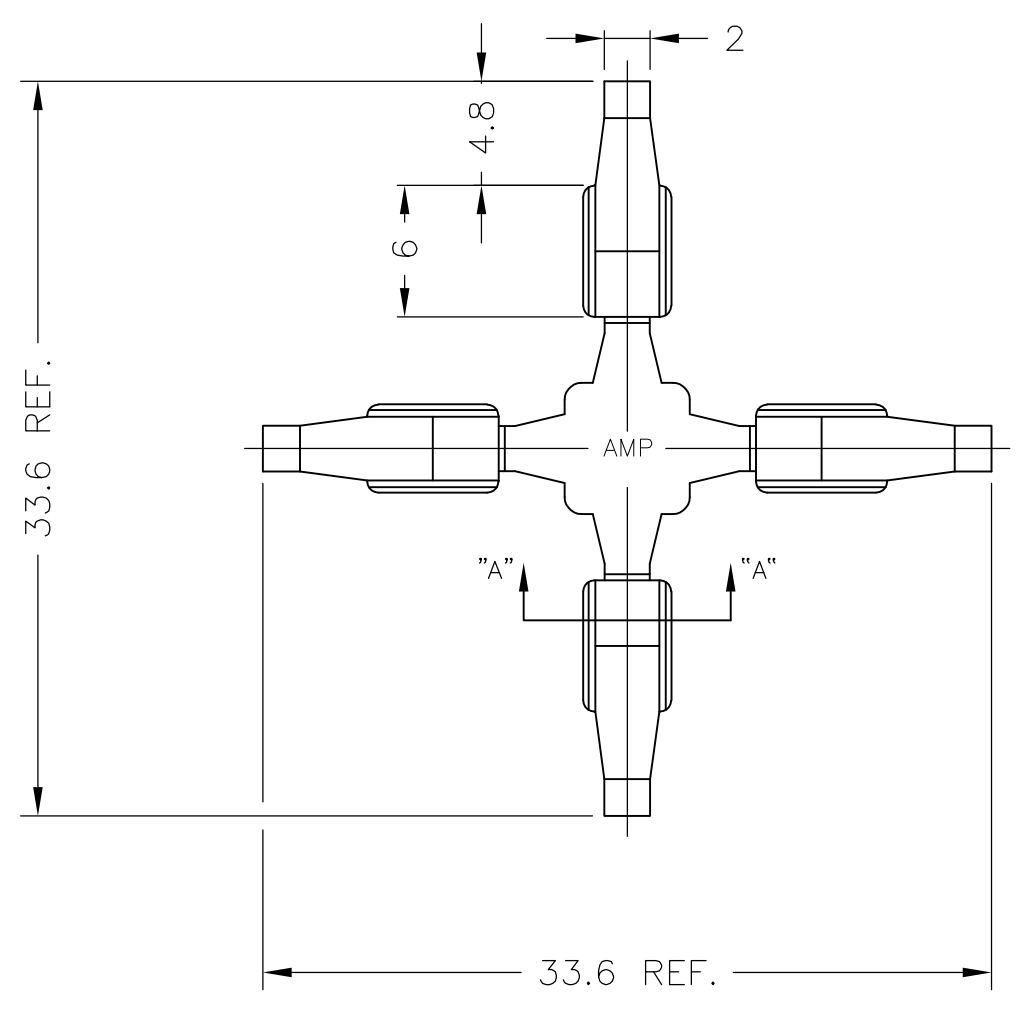
3

2

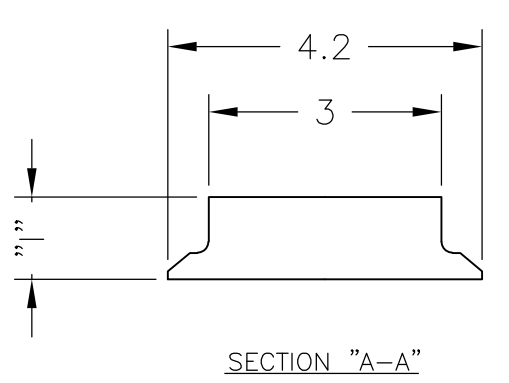
1

THIS DRAWING IS UNPUBLISHED. RELEASED FOR PUBLICATION  
 © COPYRIGHT - By -Tyco Electronics Japan G.K. ALL RIGHTS RESERVED.

LOC	DIST	REVISIONS			
P	LTR	DESCRIPTION	DATE	DWN	APVD
J	-	C	REVISED	21FEB2014	K.M E.T



NOTE:  
 1 MATERIAL: PPS BROWN



2.4±0.1	174475-2
1.8±0.1	174475-1
"I"	PART NUMBER

THIS DRAWING IS A CONTROLLED DOCUMENT.		DWN Q.JIN 14SEP12	<b>TE Connectivity</b>			
DIMENSIONS: mm		CHK T.KAWAMAE 14SEP12				
TOLERANCES UNLESS OTHERWISE SPECIFIED:		APVD E.TAKEMASA 14SEP12	NAME KEYING S 200 CONN. (B T B)			
0 PLC ± - 1 PLC ± 0.2 2 PLC ± 0.25 3 PLC ± 0.3 4 PLC ± - ANGLES ± 0° 30'		PRODUCT SPEC -	APPLICATION SPEC -			
MATERIAL SEE NOTE 1		FINISH -	SIZE A3	CAGE CODE 00779	DRAWING NO C-174475	RESTRICTED TO -
CUSTOMER DRAWING			SCALE NTS	SHEET 1 OF 1	REV C	