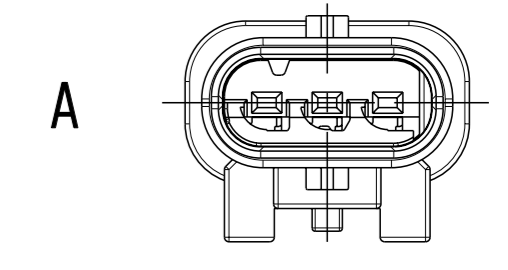
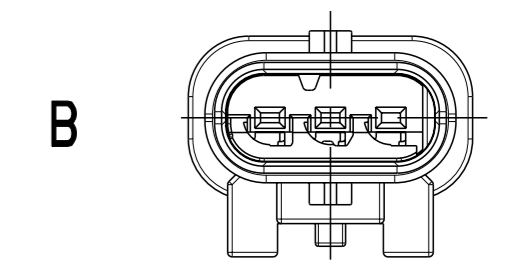


REVISIONS				
#	LY#	DESCRIPTION	DATE	OWN APVD
A		New drawing	02JUN2014	MT HR
A1		ECR-14-018531	11DEC2014	MT HR
A2		ECR-16-003418	05MAR2016	GN GB

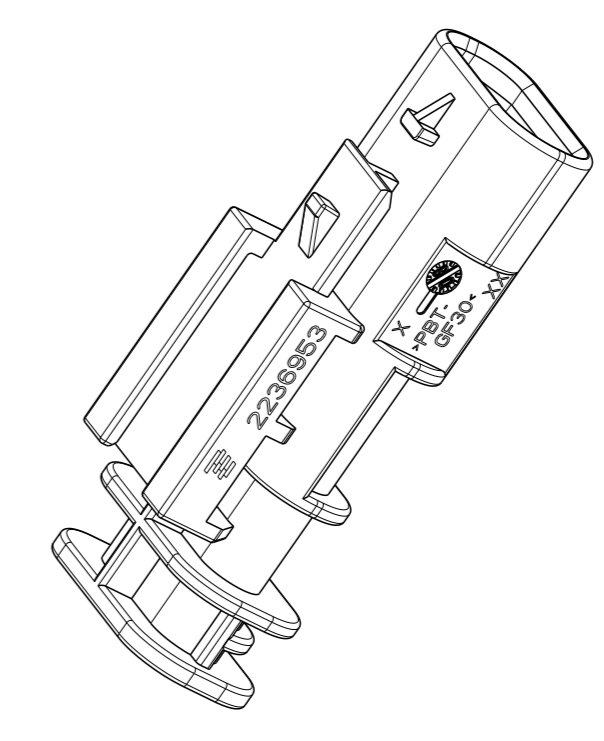
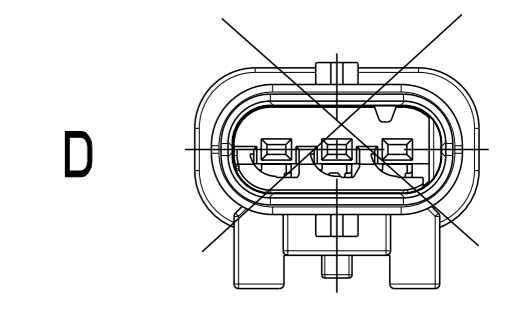
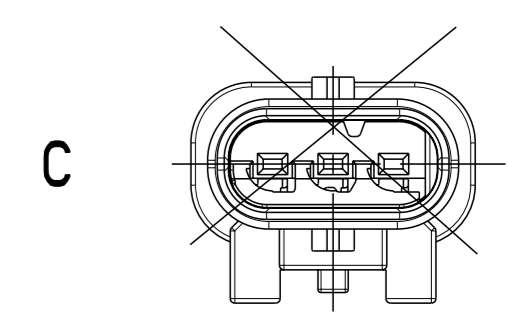
CODINGS
KODIERUNGEN
2:1



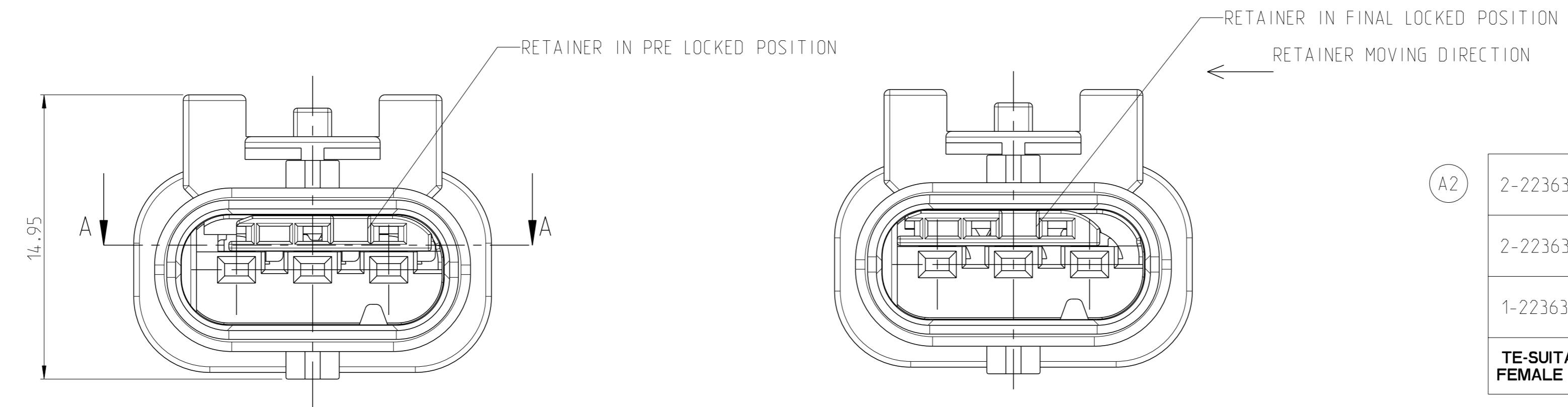
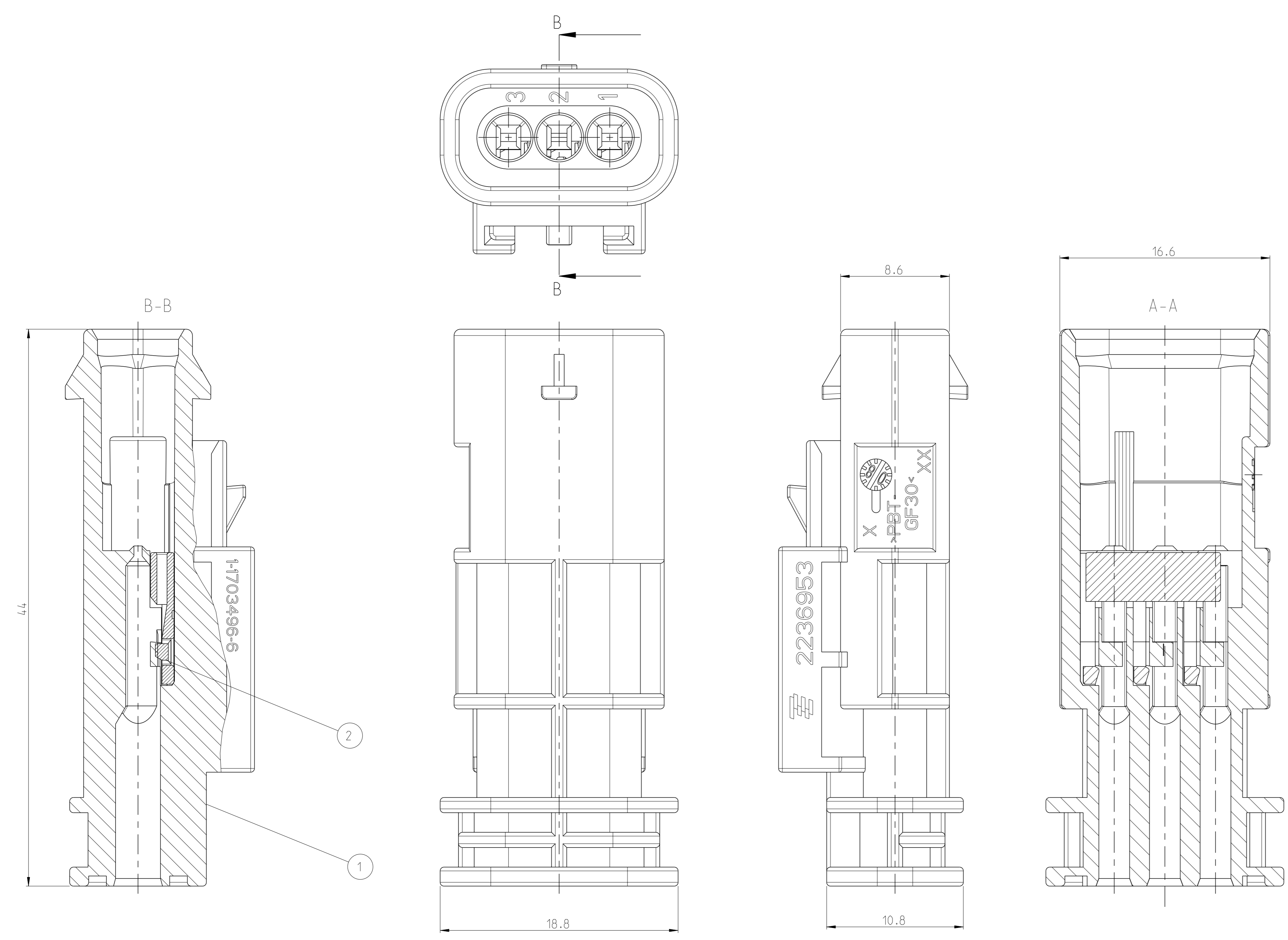
A
1-2236953-5
BLACK
(HIGH TEMP. MAX. 150 °C)



B
2-2236953-5 BLACK
2-2236953-6 GREY (A2)
(HIGH TEMP. MAX. 150 °C)



PN 1-2236953-5 AS SHOWN



A2	2-2236343-5	2-2236953-6	A	B	MALE HOUSING 3POS.	1	RETAINER	PA66-GF35	VIOLET	2
						1	MALE HOUSING	PBT-GF30	GREY	1
	2-2236343-5	2-2236953-5	A	B	MALE HOUSING 3POS.	1	RETAINER	PA66-GF35	VIOLET	2
						1	MALE HOUSING	PBT-GF30	BLACK	1b
	1-2236343-5	1-2236953-5	A	A	MALE HOUSING 3POS.	1	RETAINER	PA66-GF35	VIOLET	2
						1	MALE HOUSING	PBT-GF30	BLACK	1a


TE-SUITABLE FEMALE HSG.	TE-ORDER-NO.	REV. CODE	TITLE	QTY	TITLE	MATERIAL	SURFACE/COLOUR	ITEM	
THIS DRAWING IS A CONTROLLED DOCUMENT.					OWN: M. TRAJKOV	22JAN2014			
DIMENSIONS: mm					CHK: H. RIPPER	22JAN2014			
TOLERANCES UNLESS OTHERWISE SPECIFIED:									
0 PLC ±0.5									
1 PLC ±0.5									
2 PLC ±0.5									
3 PLC ±									
4 PLC ±									
ANGLES ±°									
FINISH									
MATERIAL									
Customer Drawing									

REGRIND MAX. 25%

THIS DRAWING IS UNPUBLISHED. RELEASED FOR PUBLICATION 20
 © COPYRIGHT 20 BY . ALL RIGHTS RESERVED.

REVISIONS				
#	DATE	DESCRIPTION	DATE	APVD
		SEE PAGE 1st		

USED MCON 1.2mm LL MALE TERMINALS AND SEALS			
TE-PN. TERMINALS	WIRE RANGE	TE-PN. SINGLE WIRE SEAL	TE-PN. BLIND PLUG
2141868	0.14 - 0.22mm ²	967067-2	967056-1
1718758	0.25 - 0.35mm ²	967067-2	
1718760	0.5 - 0.75mm ²	967067-1	
1718762	1mm ²	967067-1	
TERMINAL TE-APPLICATION SPEC.: 114-18464.			

THIS DRAWING IS A CONTROLLED DOCUMENT.		OWN M. TRAJKOV 22JAN2014	 TE Connectivity	
DIMENSIONS: mm		CHK H. RIPPER 22JAN2014		
TOLERANCES UNLESS OTHERWISE SPECIFIED:		APVD	NAME	MALE HSG., 3POS., MCON 1.2 SEALED (HIGH TEMP.)
0 PLC ±0.5		PRODUCT SPEC		108-94177-1
1 PLC ±0.5		APPLICATION SPEC		114-18910-1
2 PLC ±0.5		SIZE		A1
3 PLC ±		CAGE CODE		2236953
4 PLC ±		DRAWING NO		Customer Drawing
ANGLES FINISH *°		RESTRICTED TO		-
MATERIAL		WEIGHT		SCALE 5:1
		SHEET 2 OF 2		REV A2