

MATERIALS AND FINISHES:

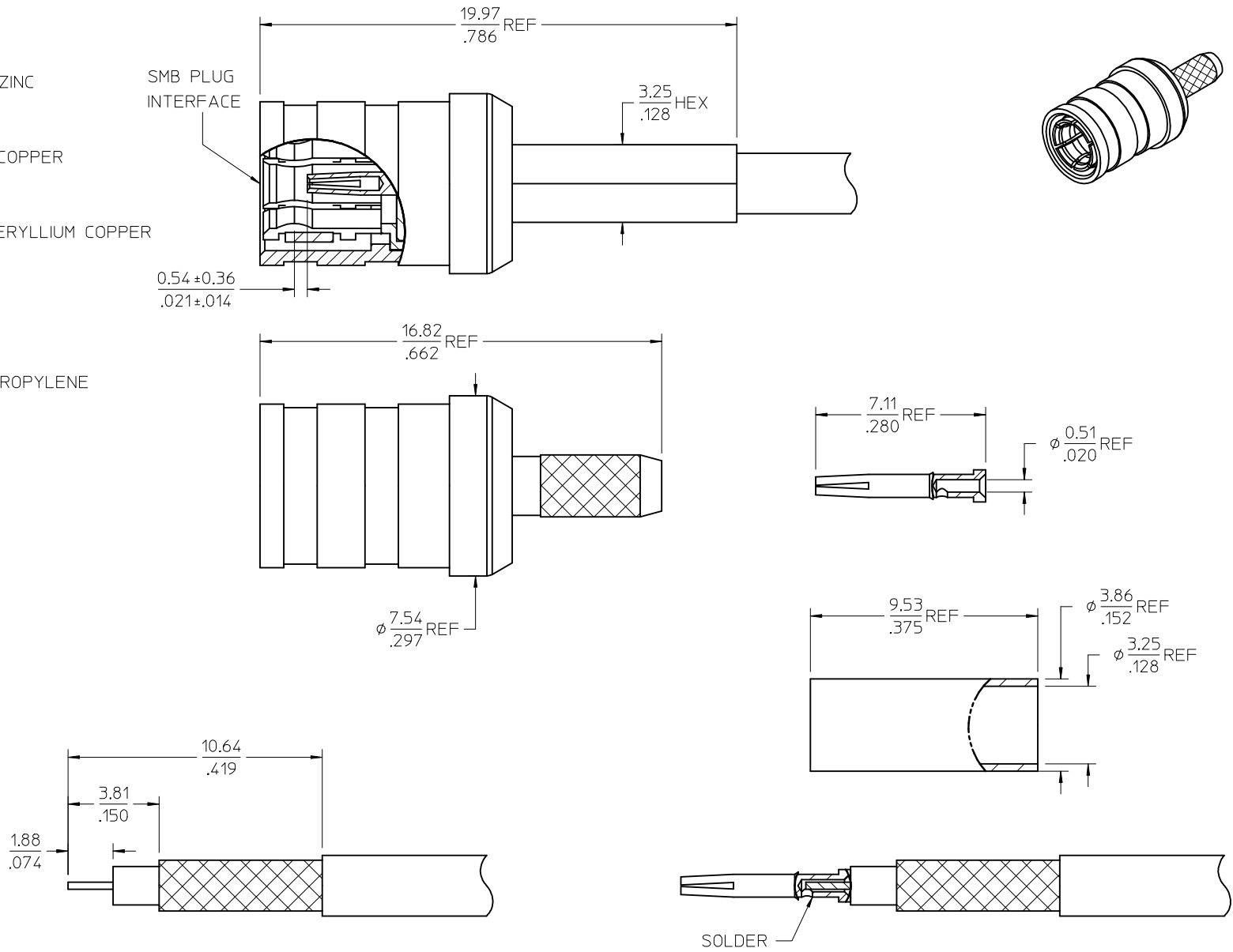
BODY, REAR BODY BRASS OR ZINC  
PLATED NICKEL

CENTER CONTACT BERYLLIUM COPPER  
PLATED GOLD

OUTER CONTACT BRASS OR BERYLLIUM COPPER  
PLATED NICKEL

CRIMP TUBE BRASS  
PLATED NICKEL

INSULATOR TEFLON OR POLYPROPYLENE



PART # 73404-0230

RECOMMENDED STRIP DIMENSION

SOLDER

CHG: REDREW IN SD REMOVED AS-89678-1300, PS-89675-3280 PS-89675-2990 EC NO: URF2016-0438 DRWNS:SSH 2015/11/30 CHKD:LMETER 2015/11/30 APPR:AROBERTSON 2015/12/09	QUALITY SYMBOLS	GENERAL TOLERANCES (UNLESS SPECIFIED)	DIMENSION STYLE	SCALE	DESIGN UNITS	THIRD ANGLE PROJECTION																			
	$\nabla = 0$ $\nabla = 0$ $\nabla = 0$	<table border="1"> <tr> <th></th> <th>mm</th> <th>INCH</th> </tr> <tr> <td>4 PLACES</td> <td>± .005</td> <td>± .0005</td> </tr> <tr> <td>3 PLACES</td> <td>± .005</td> <td>± .0005</td> </tr> <tr> <td>2 PLACES</td> <td>± .005</td> <td>± .0005</td> </tr> <tr> <td>1 PLACE</td> <td>± .005</td> <td>± .0005</td> </tr> <tr> <td>0 PLACE</td> <td>± .005</td> <td>± .0005</td> </tr> </table>		mm	INCH	4 PLACES	± .005	± .0005	3 PLACES	± .005	± .0005	2 PLACES	± .005	± .0005	1 PLACE	± .005	± .0005	0 PLACE	± .005	± .0005	MM/IN	DRAWN BY: SSHAH DATE: 2015/11/30 CHECKED BY: TEF DATE: 2000/08/22 APPROVED BY: AROBERTSON DATE: 2015/12/09	METRIC	TITLE: SMB PLUG AIR DIELECTRIC 75 OHMS RG179 SMB-PC <b>molex</b>	DOCUMENT NO. SD-73404-023 SHEET NO. 1 OF 1
		mm	INCH																						
	4 PLACES	± .005	± .0005																						
3 PLACES	± .005	± .0005																							
2 PLACES	± .005	± .0005																							
1 PLACE	± .005	± .0005																							
0 PLACE	± .005	± .0005																							
REV: A4	ANGULAR ± 2°	DRAFT WHERE APPLICABLE MUST REMAIN WITHIN DIMENSIONS	SIZE: C	THIS DRAWING CONTAINS INFORMATION THAT IS PROPRIETARY TO MOLEX INCORPORATED AND SHOULD NOT BE USED WITHOUT WRITTEN PERMISSION																					