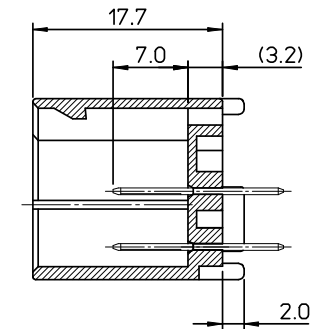
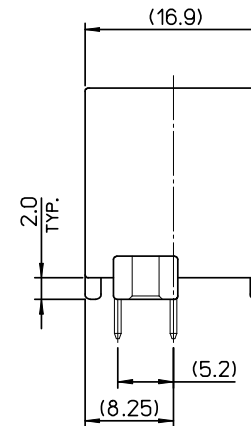
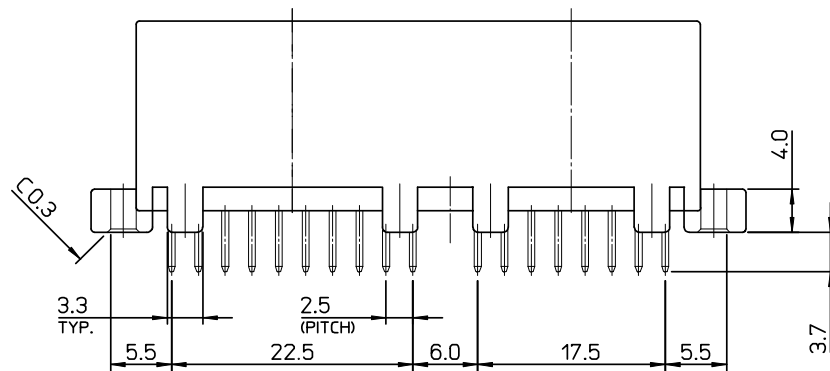


RECOMMENDED P.C.B HOLE DIMENSION



SECTION A-A

NOTES

1. APPLICABLE FEMALE HOUSING : 35363-1615/35364-2015
2. TEMPERATURE RANGE : -40°C TO +120°C
3. MATERIAL : HOUSING-POLYESTER(PBT), COLOF:GRAY  
TERMINAL-BRASS  
TERMINAL-TIN(Sn) PLATED

REVISED	DESCRIPTION
EC NO: KOR2008-0116	2008/01/31
DRM:NEOKIM	2008/02/14
CHKD:BCYOON	
APPR:YUNSIKKIM	2008/02/14

QUALITY SYMBOLS	DESCRIPTION
▽=0	
▽=0	

GENERAL TOLERANCES (UNLESS SPECIFIED)	DIMENSION STYLE
mm INCH	MM ONLY
4 PLACES ± --- ± ---	DRAWN BY DATE
3 PLACES ± --- ± ---	YSIKKIM 2001/01/15
2 PLACES ± 0.20 ± ---	CHECKED BY DATE
1 PLACE ± 0.30 ± ---	YSIKKIM 2001/01/15
ANGULAR ± 2 °	APPROVED BY DATE
	CWLEE 2001/01/15
DRAFT WHERE APPLICABLE MUST REMAIN WITHIN DIMENSIONS	MATERIAL NO.
	681453615

SCALE	DESIGN UNITS
2:1	METRIC
TITLE	THIRD ANGLE PROJECTION
040 WIRE TO BOARD CONN. 36P HEADER ASS'Y(VTL)	
MOLEX INCORPORATED	
MATERIAL NO.	DOCUMENT NO.
681453615	SD-68145-003
SIZE	THIS DRAWING CONTAINS INFORMATION THAT IS PROPRIETARY TO MOLEX INCORPORATED AND SHOULD NOT BE USED WITHOUT WRITTEN PERMISSION
A3	

NO.	ENG NO.	MATERIAL NO.
1	68145-3615	681453615
SHEET NO.		1 OF 1