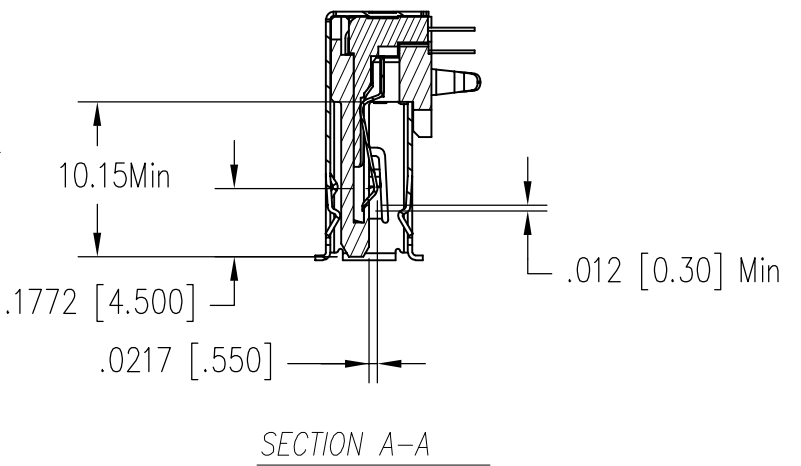
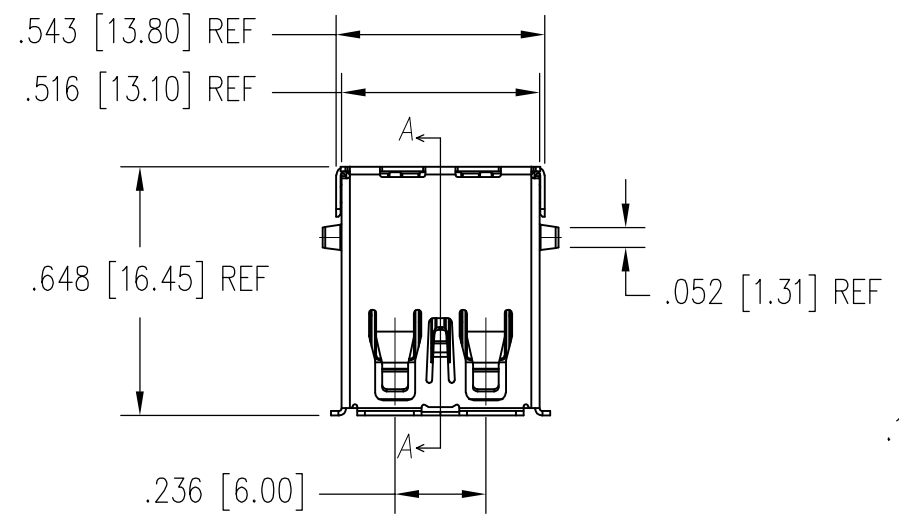
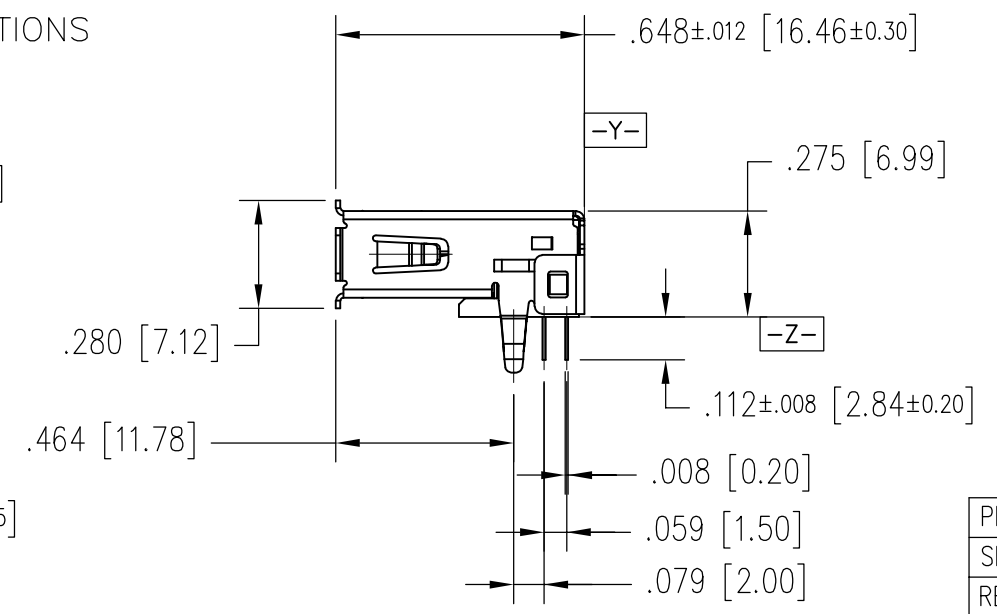
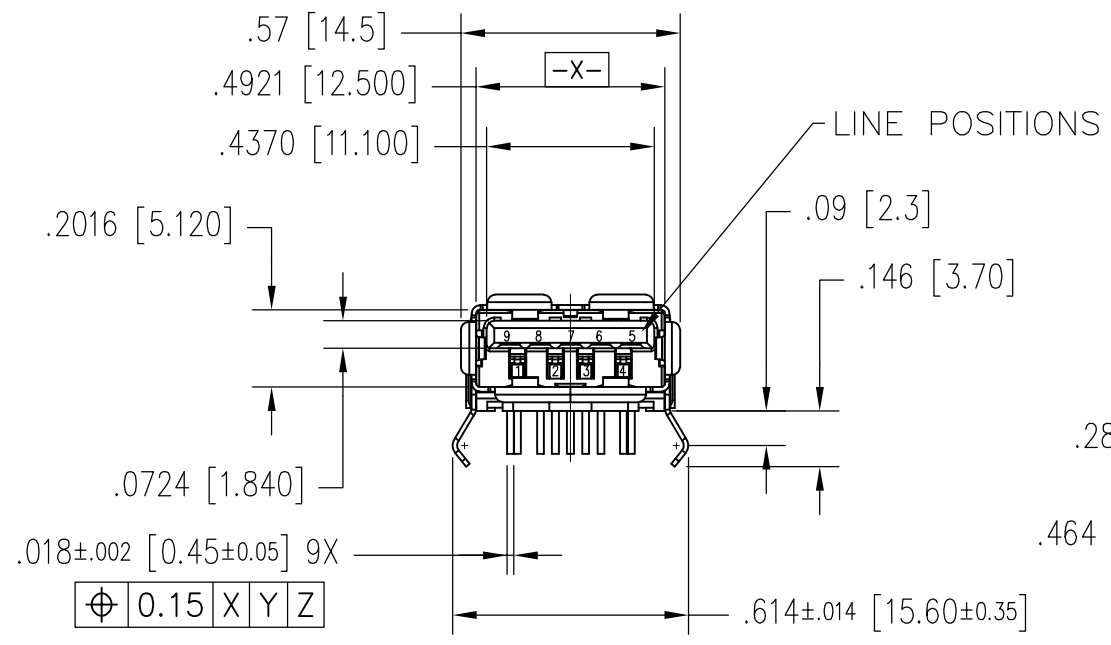


DATE	REV	ECN	APP'D. BY
8/29/2017	A0	-	DHG
10/16/2017	A1	11125	GWL

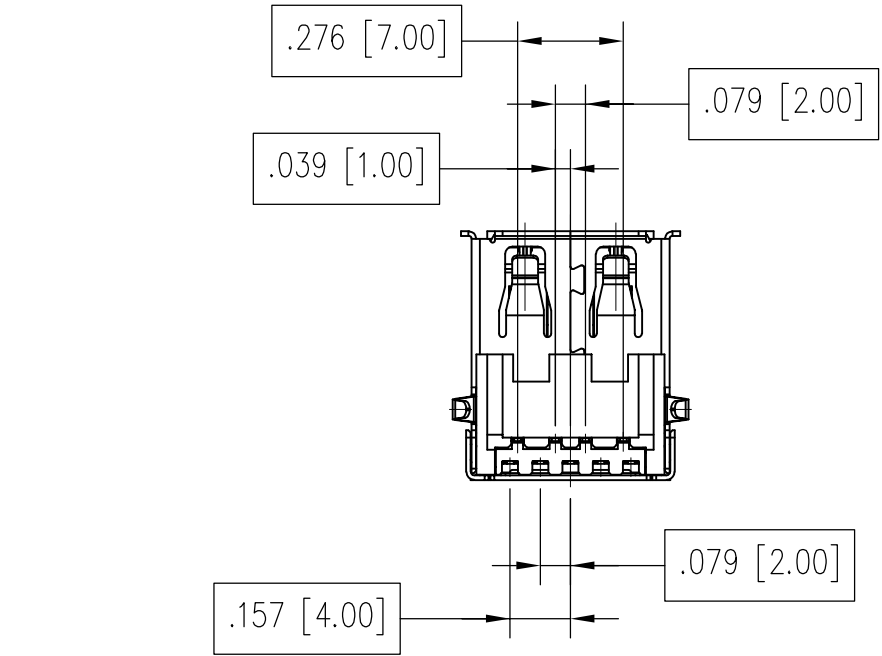


NOTE:

- Material
 - Hsg: High Temperature Plastic; UL94V-0; Color: Blue.
 - Back Cover: High Temperature Plastic; UL94V-0; Color: Blue.
 - Contact:
 - 5 pin contact: Copper Alloy
 - 4 pin contact: Copper Alloy,
 - Shell: Copper Alloy
- Finish:
 - Contact: Nickel Plated; Au Plating On Contact Area See Chart for Part Number; TIN On Solder Tail.
 - Shell: Nickel Plating.
- For Product specifications See PR44-01



PIN NO.	1	2	3	4	5	6	7	8	9
SIGNAL NAME	VBUS	D-	D+	GND	SSRX-	SSRX+	GND_DRAIN	SSTX-	SSTX+
REMARK	USB2 Contact Pin				USB3 Contact Pin				



30 MICRO-INCHES [0.76um]	SS-52000-001
CONTACT PLATING IN MATING AREA	PART NUMBER

THIRD ANGLE PROJECTION

DRAWING IS SUBJECT TO CHANGE WITHOUT NOTICE

UNLESS OTHERWISE SPECIFIED DIMENSIONS INCHES [METRIC] TOLERANCES ARE:

ANGLES ± 1°

.XX [.X] ±.010" [±0.25]

.XXX [.XX] ±.008" [±0.20]

.XXXX [.XXX] ±.004" [±0.10]

DO NOT SCALE DRAWING

SHEET NO. 1 OF 2



1118 Susquehanna Trail South
Glen Rock, PA 17327-9199
(717) 235-7512
<http://www.stewartconnector.com>

TITLE: USB 3.0 Right Angle Receptacle Type A

THIS DRAWING AND THE SUBJECT MATTER SHOWN THEREON ARE CONFIDENTIAL AND THE PROPRIETARY PROPERTY OF STEWART CONNECTOR AND SHALL NOT BE REPRODUCED, COPIED, OR USED IN ANY MANNER WITHOUT PRIOR WRITTEN CONSENT OF STEWART CONNECTOR. ONE OR MORE U.S. PATENTS MAY APPLY TO THIS PRODUCT. FOR DETAILS, PLEASE VISIT: [HTTP://BELFUSE.COM/STEWART/STEWART_PATENTS/](http://BELFUSE.COM/STEWART/STEWART_PATENTS/)

DRN BY: GWL	DATE 8/28/2017
APPD BY: DHG	DATE 8/29/2017
DWG NO. CT520001	REV. A1

B

B

A

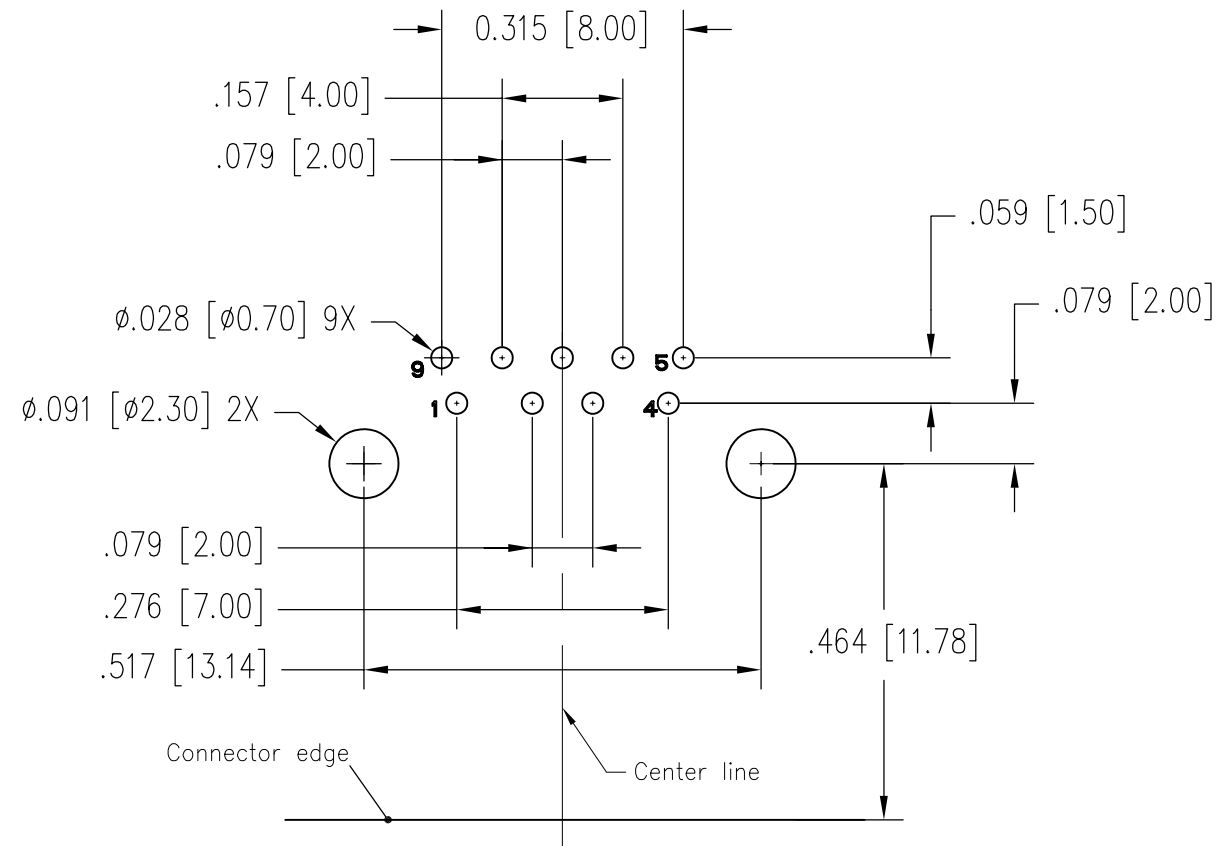
A

2

1

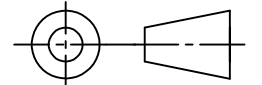
2

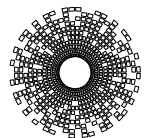
1



RECOMMENDED PCB LAYOUT(TOP VIEW)
 ALL TOL IS ±.004 [0.10]



THIRD ANGLE PROJECTION

 DRAWING IS SUBJECT TO CHANGE WITHOUT NOTICE
 UNLESS OTHERWISE SPECIFIED DIMENSIONS INCHES [METRIC]
 TOLERANCES ARE:
 ANGLES ± 1°
 .XX [.X] ±.010" [±0.25]
 .XXX [.XX] ±.008" [±0.20]
 .XXXX [.XXX] ±.004" [±0.10]
 DO NOT SCALE DRAWING
 SHEET NO. 2 OF 2

 stewart CONNECTOR a bel group	11118 Susquehanna Trail South Glen Rock, PA 17327-9199 (717) 235-7512 http://www.stewartconnector.com	
	TITLE: USB 3.0 Right Angle Receptacle Type A	
THIS DRAWING AND THE SUBJECT MATTER SHOWN THEREON ARE CONFIDENTIAL AND THE PROPRIETARY PROPERTY OF STEWART CONNECTOR AND SHALL NOT BE REPRODUCED, COPIED, OR USED IN ANY MANNER WITHOUT PRIOR WRITTEN CONSENT OF STEWART CONNECTOR. ONE OR MORE U.S. PATENTS MAY APPLY TO THIS PRODUCT. FOR DETAILS, PLEASE VISIT: HTTP://BELFUSE.COM/STEWART/STEWART_PATENTS/	DRN BY: GWL	DATE: 8/28/2017
	APPD BY: DHG	DATE: 8/29/2017
	DWG NO. CT520001	REV. A1