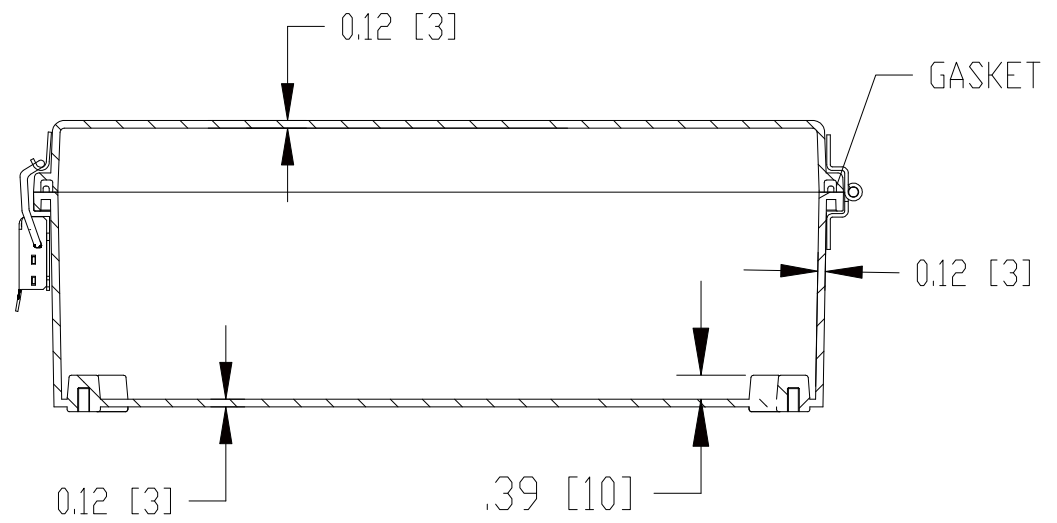
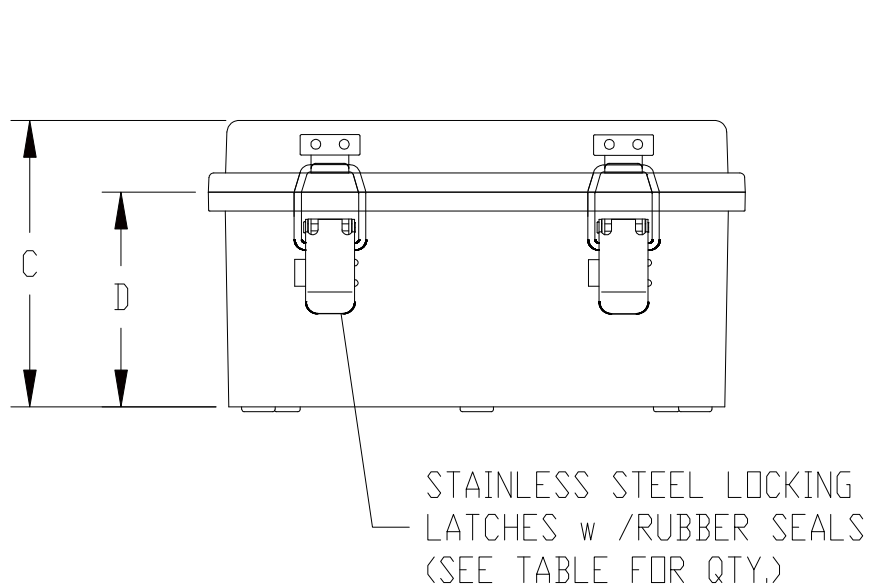
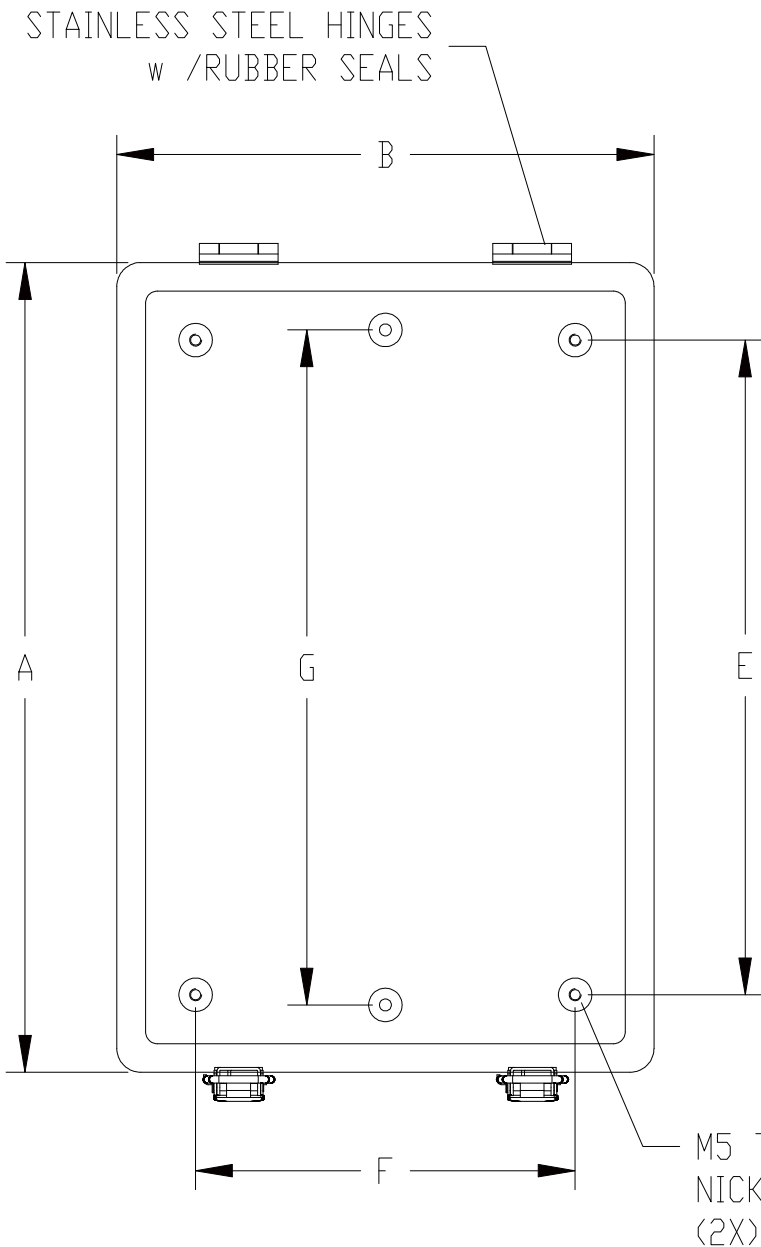


**DRAWING FOR REFERENCE**  
 WE RESERVE THE RIGHT TO MAKE CHANGES TO OUR  
 STANDARD PRODUCTS. PLEASE CONSULT WITH BUD INDUSTRIES  
 PRIOR TO USING THIS DRAWING FOR DESIGN PURPOSE.

- NOTES:**
- 1- MATERIAL: BODY - GRAY POLYCARBONATE RESIN  
10% GLASS FIBER FILLED  
COVER - GRAY POLYCARBONATE OR  
CLEAR (-C SUFFIX) POLY-  
CARBONATE
  - 2- UL508 / NEMA TYPE 4X WITH IP-67 TUV RATING  
& UL-94 5VA
  - 3- CONTINUOUS Poured NEOPRENE GASKET IN COVER
  - 4- SUPPLIED WITH TWO OR FOUR M5 x 8mm LG.  
TRUSS HEAD ZINC PLATED STEEL SCREWS  
(ITEMS NOT SHOWN)
  - 5- DIMENSIONS ARE INCH [MM]
  - 6- OPTIONAL ACCESSORIES NOT INCLUDED:  
INTERNAL MOUNTING PLATES 16 GA. STEEL OR ABS  
EXTERNAL MOUNTING BRACKETS NBX-10922  
(STAINLESS STEEL) OR PIX-4117 (GRAY POLY-  
CARBONATE RESIN 10% GLASS FIBER FILLED)



PART NO.		DIMENSIONS								LATCH QTY.
		A	B	C	D	E	F	G		
PTH-22706-L	PTH-22706-LC	9.84 [250]	5.91 [150]	5.12 [130]	3.15 [80]	---	---	8.27 [210]	2	
PTH-22730-L	PTH-22730-LC	15.75 [400]	11.75 [298]	5.91 [150]	4.72 [120]	12.75 [324]	9.06 [230]	13.25 [336]	2	
PTH-22746-L	PTH-22746-LC	14.96 [380]	7.48 [190]	5.04 [128]	3.86 [98]	4.72 [120]	12.20 [310]	---	2	
PTH-22758-L	PTH-22758-LC	22.05 [560]	11.02 [280]	5.12 [130]	3.94 [100]	19.31 [490]	8.27 [210]	---	2	
PTH-22760-L	PTH-22760-LC	16.93 [430]	13.00 [330]	7.09 [180]	5.91 [150]	14.17 [360]	10.22 [260]	14.75 [375]	2	
PTH-22762-L	PTH-22762-LC	22.05 [560]	14.96 [380]	7.09 [180]	5.83 [148]	12.20 [310]	19.29 [490]	---	2	
PTH-22780-L	PTH-22780-LC	9.84 [250]	3.15 [80]	3.35 [85]	1.97 [50]	7.87 [200]	1.59 [40]	8.65 [220]	1	