

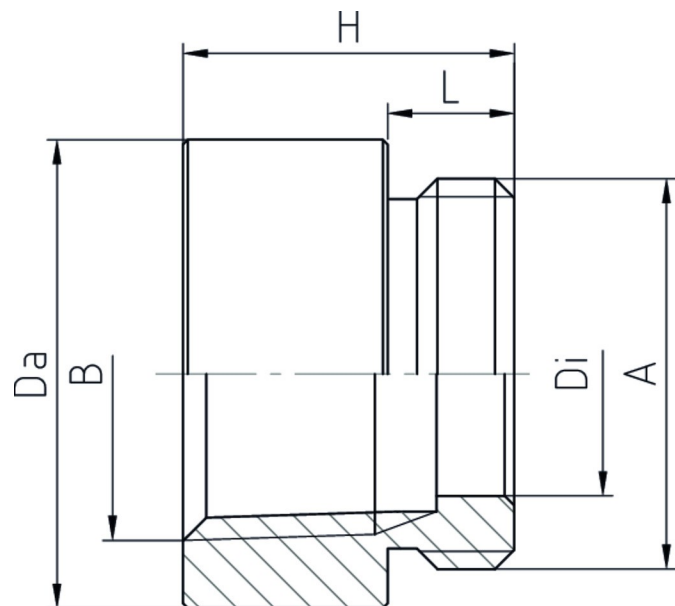
Adapter

Adapter	Brass CuZn39Pb3, nickel-plated
External thread	metric, as per EN 60423
Internal thread	NPT



Properties

Temperature range	-60 °C +200 °C
Protection grade	dependent on the combination with other components
Comment	<ul style="list-style-type: none"> • adapter from metric to NPT-threaded holes available on request with O-ring made of Nitrile rubber NBR Part code MxxNPTxxx/OM selected sizes also available with hexagonal



Features

A	B	L	H	Da	Di	VPE	Part No.
M16x1,5	NPT 1/2"	6,5	25	24	11	100	M16NPT1/2
M20x1,5	NPT 1/2"	6,5	25	24	15	50	M20NPT1/2
M25x1,5	NPT 3/4"	7	28	30	18	25	M25NPT3/4
M32x1,5	NPT 3/4"	8	26	37	23	25	M32NPT3/4
M32x1,5	NPT 1"	8	33	38	27	25	M32NPT1
M40x1,5	NPT1 1/4"	8	34	46	34	10	M40NPT11/4