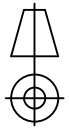
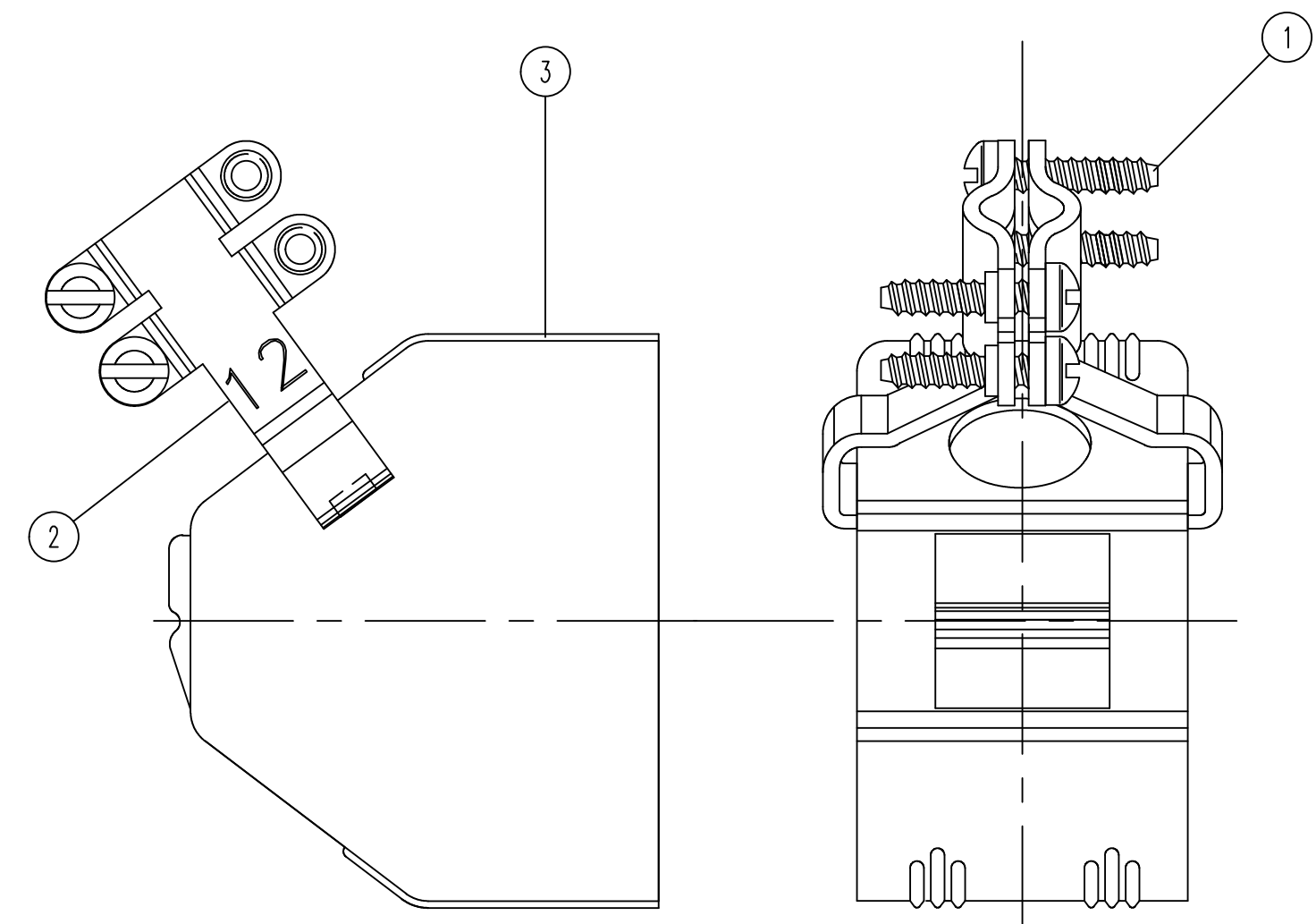


1	2	3	4	5	6	7
CINCH Connectors Ltd. WORKSHOP, ENGLAND						
A		JA		83385 00		R01
				RELEVANT SPEC.		SHEET 1 OF 1
				CAD No:R:7683385 \		
				 IF IN DOUBT - ASK ALL DIMENSIONS ARE IN mm		



CUSTOMER DRAWING ONLY.

THIS DRAWING IS COPYRIGHT AND IS ISSUED ON CONDITION IT IS NOT COPIED, REPRODUCED OR DISCLOSED TO A THIRD PARTY WITHOUT THE CONSENT IN WRITING OF CINCH CONNECTORS LTD. ATTENTION IS DRAWN TO THE FACT THAT THE ARTICLE DISCLOSED MAY BE COVERED BY BRITISH OR FOREIGN PATENTS, GRANTED OR PENDING OR REGISTERED DESIGN.				TITLE	
GENERAL TOLERANCE		12 WAY MOULDED SHELL ASSEMBLY			
2 DECIMAL PLACES ± 0.10		DRN. D.J.POLLARD.	DATE 24.07.95	SCALE 2:1	CHD M.B
1 DECIMAL PLACE ± 0.20		MATERIAL SPEC.		APP'D 6.SF	
NO DECIMAL PLACE ± 0.50		RAW MATERIAL		FINISHED HARDNESS FINISH TREATMENT FINISHED COLOUR	
ANGULAR ± 1°		0.18 MAX TOOLING RAD.			
APP'D	DATE	MOD No.	ISSUE		
	9.9.80	1	1		
	25.07.95	2	2		
	R15308	3	3		
	CUST ISS.	4	4		
DESCRIPTION	FINISH	No OFF			
	T _E M				
CODE					