



Sub-Miniature Pushbutton

Specifications

Electrical Ratings	3A @ 120VAC, 28VDC 1A @ 250VAC See Contact Options	Travel	0.90 ± 0.15mm
Electrical Life	50,000 cycles typical	Actuation Force	250 ± 150gF
Contact Resistance	<20mΩ initial @ 2-4VDC, 100mA	Dielectric Strength	1500Vrms min
		Insulation Resistance	>100MΩ min
		Operating Temperature	-40°C to 85°C
		Storage Temperature	-40°C to 85°C

Materials

Actuator	Thermoplastic Polyester
Housing	Diallyl Phthalate (DAP)
Cover	Stainless Steel
Bushing	Brass, Nickel Plated
Contacts	Cooper Alloy, Silver Plated
Terminals	Brass, Silver Plated

Ordering Information

1. Series	BNP	1	1	S	C	Q	E
BNP							
2. Number of Poles							
1 = Single Pole							
3. Switch Function							
0 = OFF - (ON) For SPST Only							
1 = ON - (ON) For SPDT Only							
4. Bushing							
Blank = Panel Mount Frame							
S / U = 5.59mm, 10-48UNS / Non-threaded, flat							
T = 5.59mm, Non-threaded, round							
V / V1 = 7.87mm, ¼-40NS / Non-threaded, flat							
S9 = 3.20mm, Actuator only							
5. Terminals							
B = Solder Lug							
C = PC pin							
H = Horizontal mount, right angle PC pin; HS = Snap in							
V = Vertical mount, right angle PC pin; VS = Snap in							
A5 = PC pin with support bracket; A5S = Snap in support bracket							
6. Contacts							
Q = Silver plated							
R = Gold plated							
G = Gold over Silver plated							
7. Epoxy Seal							
E = Epoxy Seal							
8. Cap / Frame							See cap options for color availability
C84							
C85							
C87 Only used with V & V1 bushings							

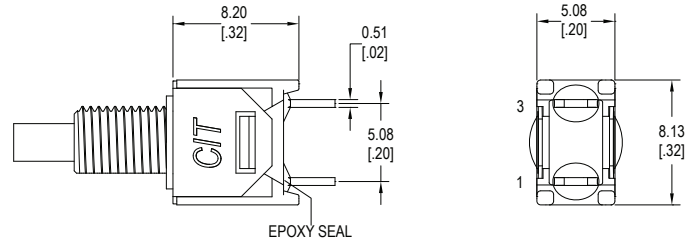
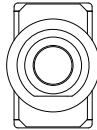
Switch Function



SPST



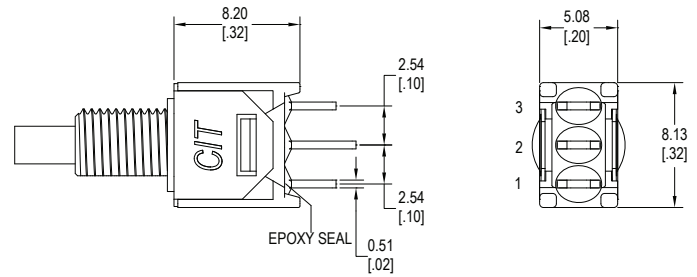
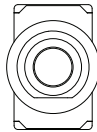
Function	Pushbutton Position	
1	OFF	(ON)
Terminals	--	1-3



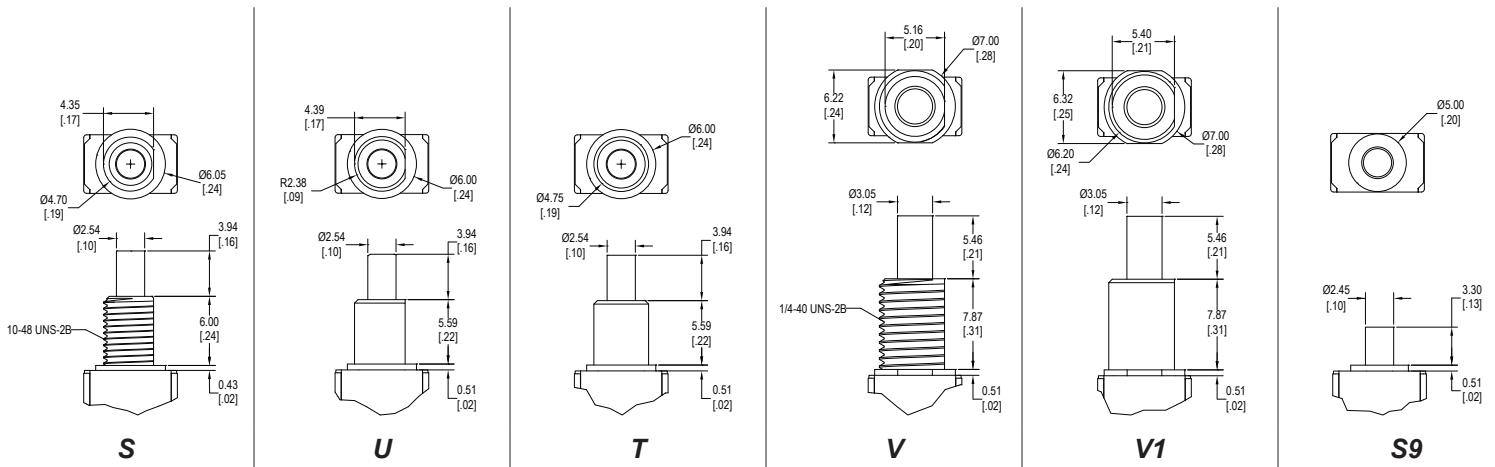
SPDT



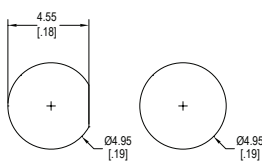
Function	Pushbutton Position	
1	ON	(ON)
Terminals	2-1	2-3



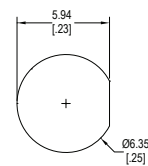
Bushing Options



Panel Mounting

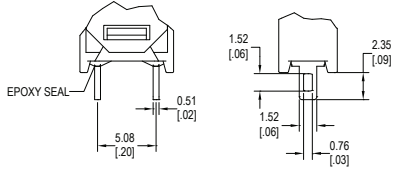


Used with S, U & T Bushings

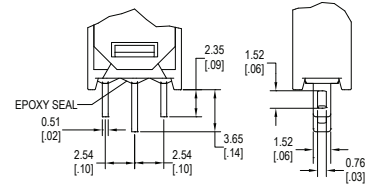


Used with V & V1 Bushings

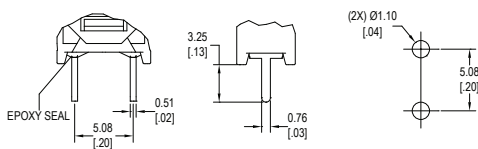
Terminal Options



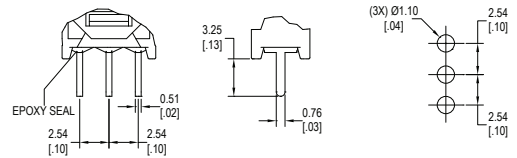
B
single pole, single throw



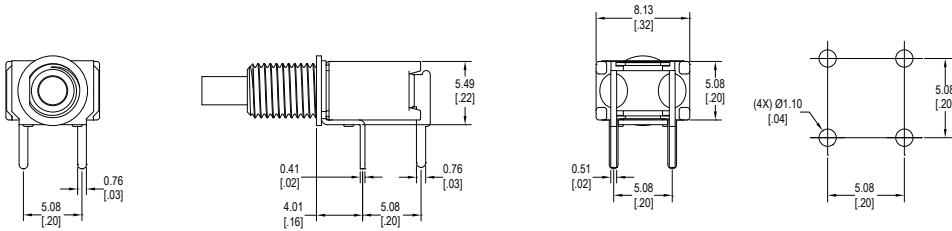
B
single pole, double throw



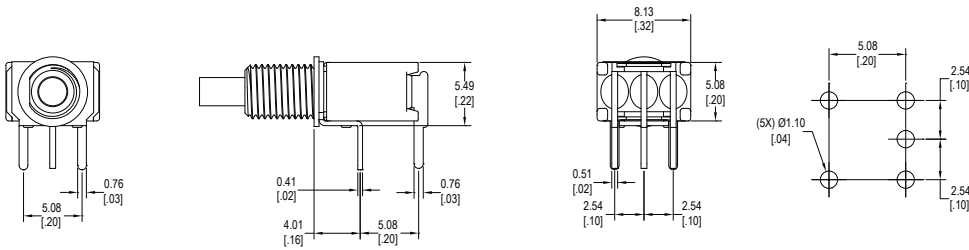
C
single pole, single throw



C
single pole, double throw

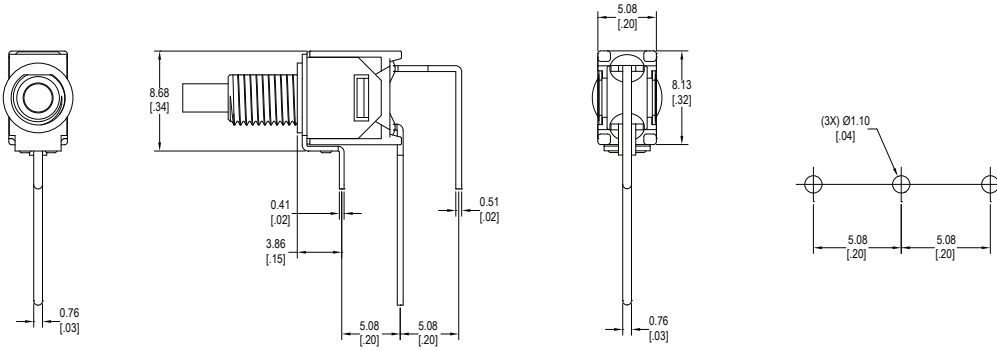


H (HS - Snap In)
Horizontal mount, right angle PC pins, single pole, single throw



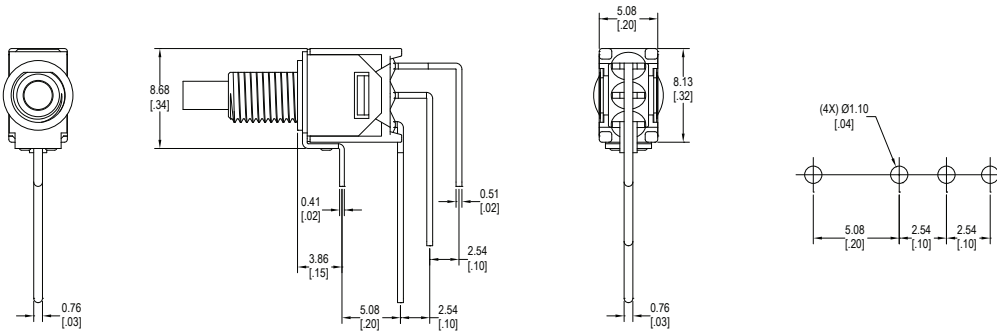
H (HS - Snap In)
Horizontal mount, right angle PC pins, single pole, double throw

Terminal Options



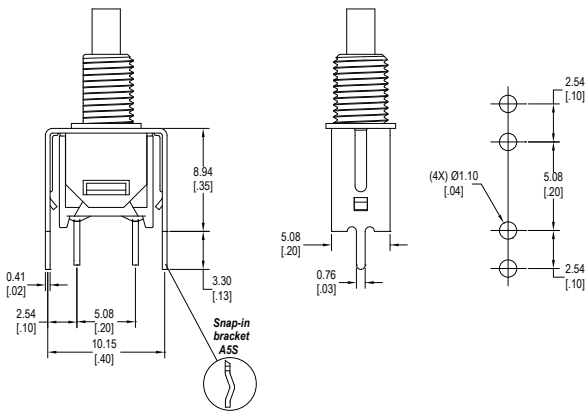
V (VS - Snap In)

Vertical mount, right angle PC pins, single pole, single throw



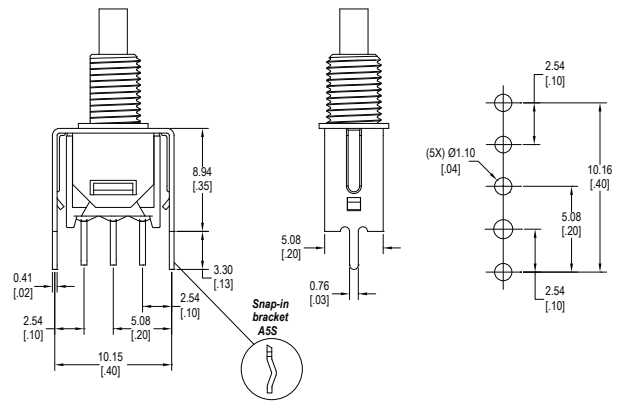
V (VS - Snap In)

Vertical mount, right angle PC pins, single pole, double throw



A5 (A5S - Snap in bracket)

PC pins with support bracket, single pole single throw



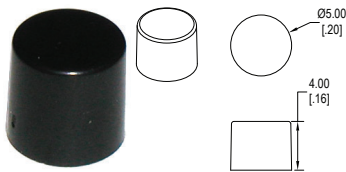
A5 (A5S - Snap in bracket)

PC pins with support bracket, single pole double throw

Contact Options

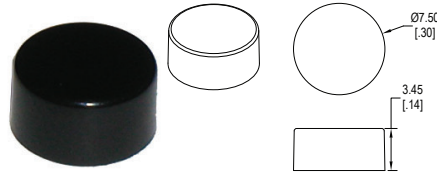
Designator	Contact Material	Terminal Material	Electrical Ratings
Q	Silver Plating	Silver Plating	3A @ 120VAC, 28VDC; 1A @ 250VAC
R	Gold over Nickel Plating	Gold over Nickel Plating	0.4VA max @ 20VAC or VDC max
G	Gold over Silver Plating	Gold over Silver Plating	0.4VA max @ 20VAC or VDC max or 3A @ 120VAC, 28VDC; 1A @ 250VAC

Cap Options



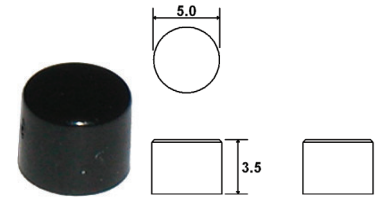
C84_

1 = White, 2 = Black, 3 = Red
Contact Factory for other available colors



C85_

1 = White, 2 = Black, 3 = Red
Contact Factory for other available colors

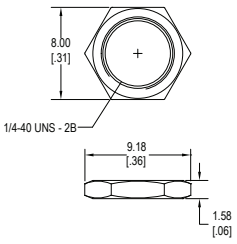
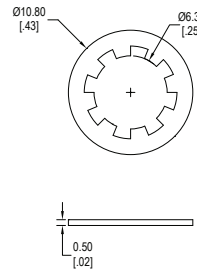
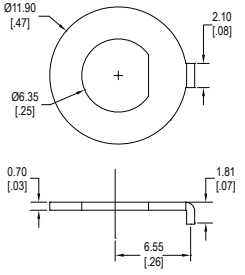
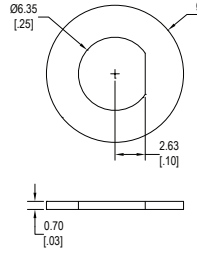
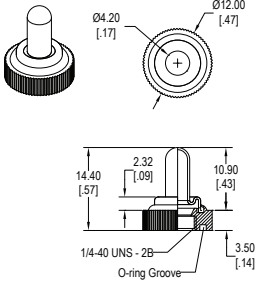
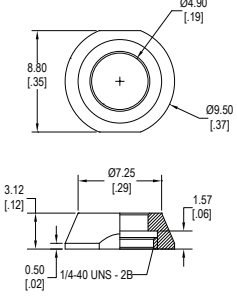
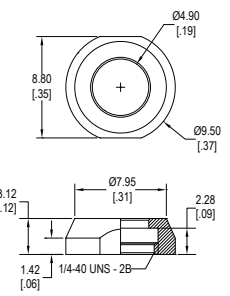
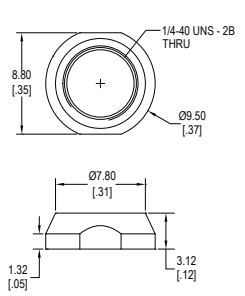
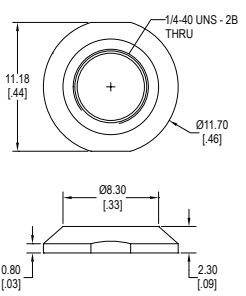
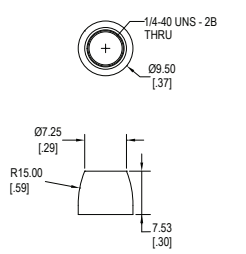
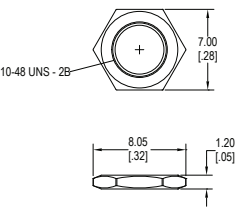
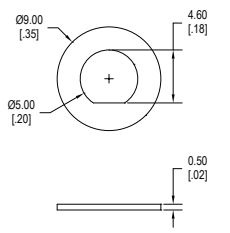
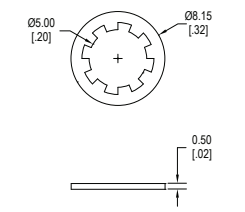


C87_

1 = White, 2 = Black, 3 = Red
Contact Factory for other available colors
Only for use with V & V1 Bushings

Hardware

Two hex nuts, one lock washer & one locking ring supplied standard with threaded bushings

 <p>Hex Nut 1/4 - 40</p>	 <p>Lock Washer</p>	 <p>Locking Ring D Tab</p>	 <p>Washer D Flat</p>	 <p>E - Sealed Boot Knurled Nut</p>
 <p>A</p>	 <p>B</p>	 <p>C</p>	 <p>D</p>	 <p>E</p>
 <p>#10 Hex Nut</p>	 <p>#10 D Flat Washer</p>	 <p>#10 Lock Washer</p>		