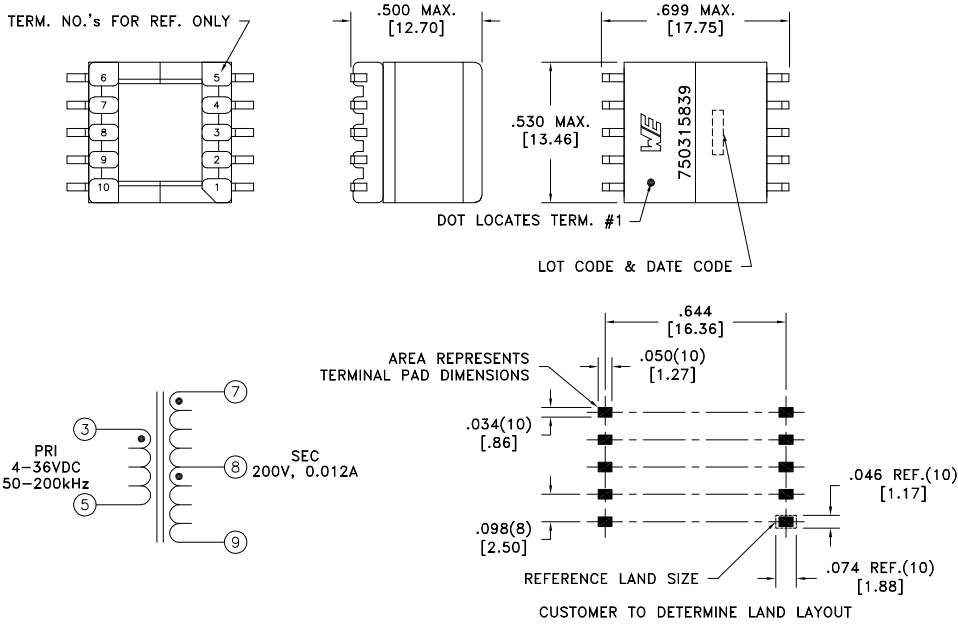


CUSTOMER TERMINAL	RoHS	LEAD(Pb)-FREE
Sn96%, Ag4%	Yes	Yes



ELECTRICAL SPECIFICATIONS @ 25°C unless otherwise noted:

PARAMETER	TEST CONDITIONS	VALUE
D.C. RESISTANCE	3-5 @20°C	0.085 ohms ±10%
D.C. RESISTANCE	7-8 @20°C	3.6 ohms ±10%
D.C. RESISTANCE	8-9 @20°C	4.8 ohms ±10%
INDUCTANCE	3-5 10kHz, 100mVAC, Ls	40.0uH ±10%
SATURATION CURRENT	3-5 20% rolloff from initial	3.2A
LEAKAGE INDUCTANCE	3-5 tie(7+8+9), 100kHz, 100mVAC, Ls	0.25uH typ., 0.5uH max.
DIELECTRIC	3-7 1875VAC, 1 second	1500VAC, 1 minute
TURNS RATIO	(7-8):(3-5)	5:1, ±1%
TURNS RATIO	(7-8):(8-9)	1:1, ±1%

GENERAL SPECIFICATIONS:

OPERATING TEMPERATURE RANGE: -40°C to +125°C including temp rise.

Designed to comply with the following requirements as defined by IEC60950-1, EN60950-1, UL60950-1/CSA60950-1 and AS/NZS60950.1:

- Functional insulation for a primary circuit at a working voltage of 265Vrms, 400Vpeak, Overvoltage Category II.

Wire insulation & RoHS status not affected by wire color.
Wire insulation color may vary depending on availability.

REV.	DATE	Packaging Specifications Method: Tape & Reel PKG-0499 www.we-online.com/midcom		Tolerances unless otherwise specified: Angles: ±1° Fractions: ±1/64 Decimals: ±.005 [.13] Footprint: ±.005 [.13]	DRAWING TITLE TRANSFORMER	PART NO. 750315839
6B	9/20			This drawing is dual dimensioned. Dimensions in brackets are in millimeters.	eiSos p/n: 750315839	
6A	5/17	SEE REVISION SHEET FOR REVISION LEVEL				SPECIFICATION SHEET 1 OF 1