

Würth Electronics Midcom Inc.
 121 Airport Drive · P.O. Box 1330 · Watertown SD
 57201-6330, USA
 T: +1 (605) 886 4385 · Toll Free: +1 (800) 643 2661
 www.we-online.com



CATALOG PRODUCT NOTIFICATION

Date:	March 23, 2017		
Customer Part Number:	732-3142-5-ND	Würth Electronics Midcom Part Number:	744862082
Customer Name:	Digikey	Würth Electronics Midcom Inside Sales Rep:	
Customer Contact:			

Product/Process Change

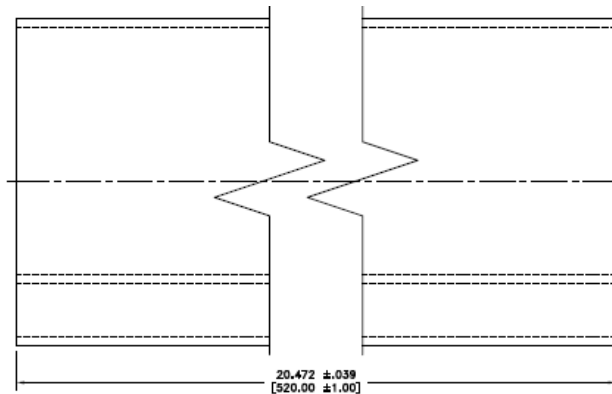
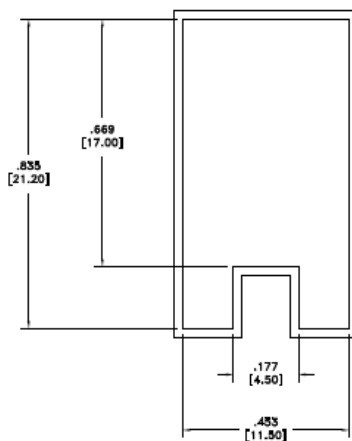
Product Termination

Internal Update

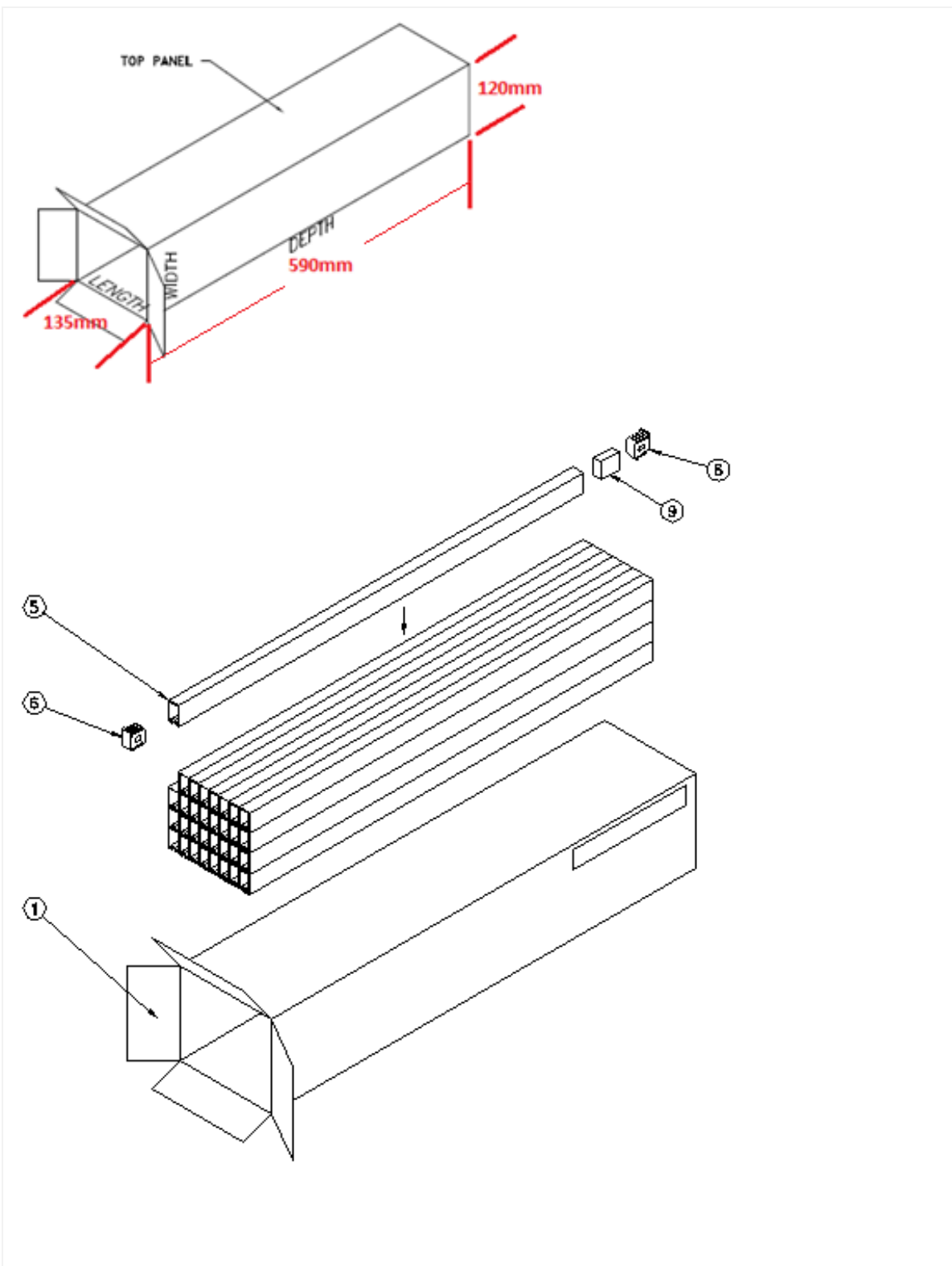
Description and Purpose of Change(s):

Change packaging method and quantity to prevent core crack quality issue in transportation process and better protect goods.

From current tube packaging, TQ: 30pcs/tube, BQ: 960pcs/box.



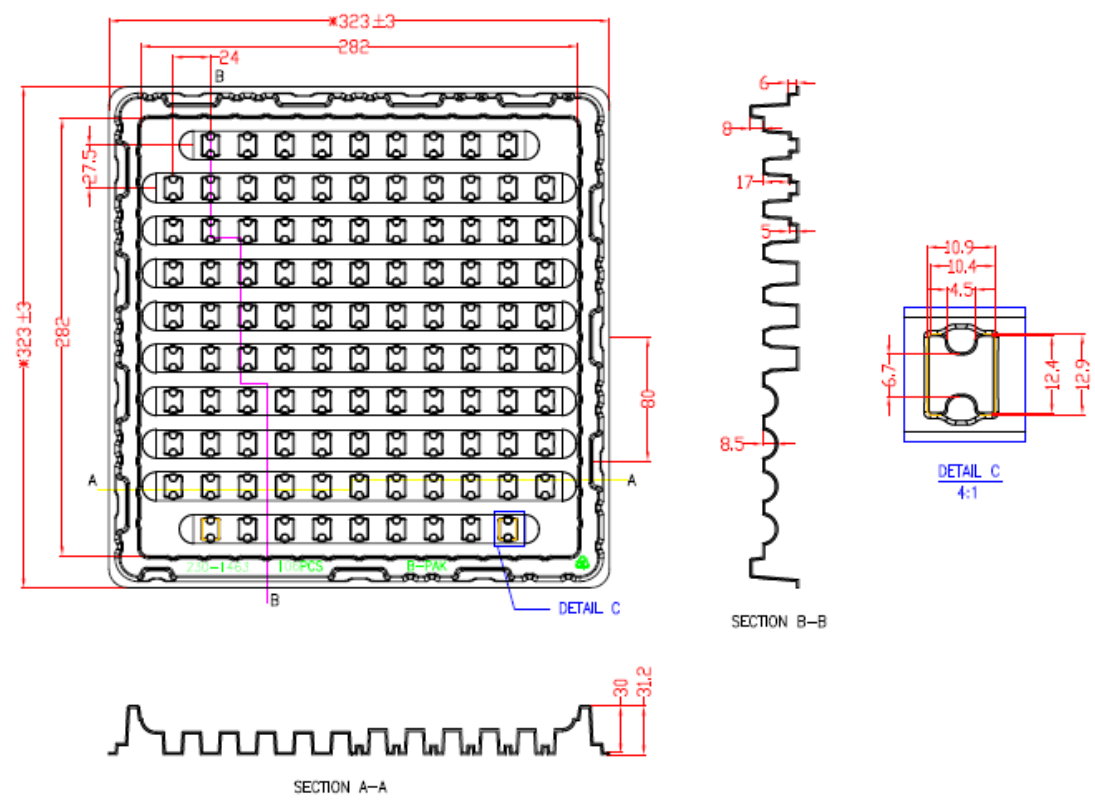
Würth Electronics Midcom Inc.
121 Airport Drive · P.O. Box 1330 · Watertown SD
57201-6330, USA
T: +1 (605) 886 4385 · Toll Free: +1 (800) 643 2661
www.we-online.com



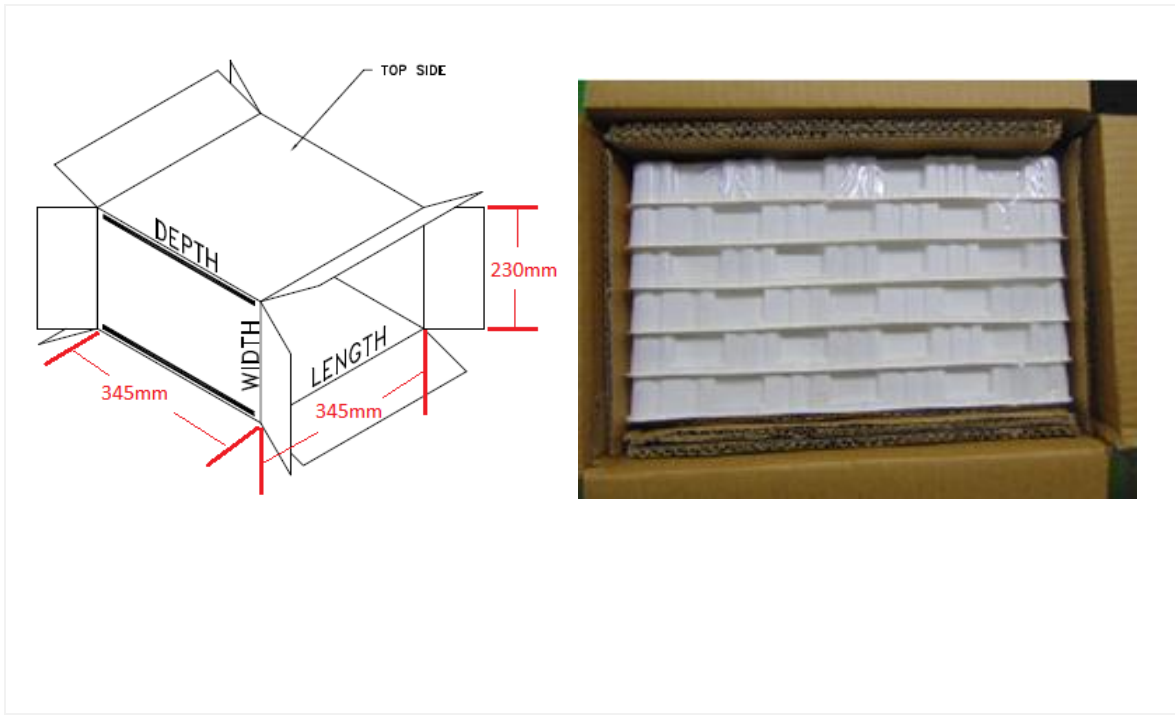
Würth Electronics Midcom Inc.
121 Airport Drive · P.O. Box 1330 · Watertown SD
57201-6330, USA
T: +1 (605) 886 4385 · Toll Free: +1 (800) 643 2661
www.we-online.com



To new tray package, TQ: 106pcs/tray, BQ: 636pcs/box



Würth Electronics Midcom Inc.
 121 Airport Drive · P.O. Box 1330 · Watertown SD
 57201-6330, USA
 T: +1 (605) 886 4385 · Toll Free: +1 (800) 643 2661
 www.we-online.com



Impact on Form, Fit, Function, Quality or Reliability:
 To prevent the core crack issue in transportation process and offer better protection.
 Package quantity will change from Tube Qty. 30pcs/tube, Box Qty.: 960pcs/box to Tray Qty.:
 106pcs/tray, Box Qty.: 636pcs/box.
 Outer carton size will change from: L135mm x W120mm x D590mm to: L345mm x W230mm x
 D345mm

Changes will be implemented on all product starting with date / date code: _____.

The following order (s) may be affected by the above change (s) being made.

Part Number	Sales Order #	Purchase Order #	Quantity	Ship Date