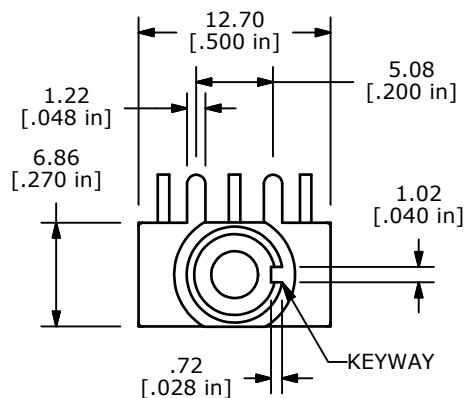


PCB MOUNTING

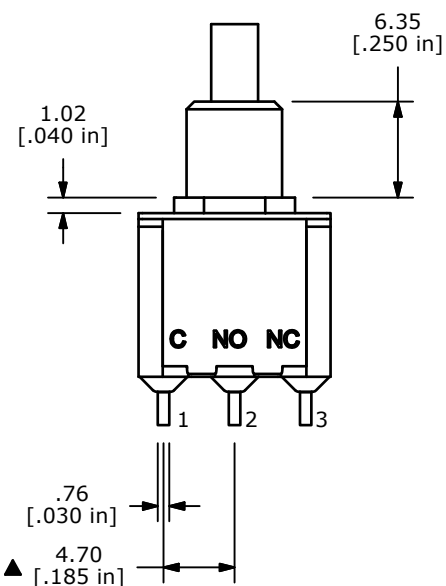
SWITCH FUNCTION	
POS. 1	POS. 2
ON	(ON)
1-3	1-2

(ON)=MOMENTARY

CIRCUIT: SPDT



ISOMETRIC



NOTE:

1. ALL DIMENSIONS IN MM [INCH]
2. GENERAL TOLERANCE: X.X=±0.4  
X.XX=±0.25
3. TERMINAL NUMBERS FOR REF ONLY
- ▲ 4. CONTACT MATERIAL: SILVER
5. RATING: 3A @ 120 VAC OR 28 VDC  
1A @ 250 VAC
6. ELECTRIC LIFE: 50,000 MAKE-AND-BREAK CYCLES  
AT FULL LOAD
7. INSULATION RESISTANCE: 1,000 MEGA-OHM MIN.
8. ACUATION FORCE: 300 ± 100gf
- ▲ 9. TRAVEL: 1.0 ± 0.2mm
10. CONTACT RESISTANCE: 20 mOHM MAX.  
TYPICAL @ 2-4 VDC
11. DIELECTRIC STRENGTH: 1,000 V RMS @ SEA LEVEL.
12. OPERATING TEMP.: -30°C to 85°C
13. ▲ DENOTES CRITICAL PARAMETER.
14. 2002/95/EC (ROHS) COMPLIANT.

F	20004	DRAWING CLEAN-UP / UPDATE	6/14/11	BGL
E	18688	3.18 DIM WAS 3.80	10/14/09	BLR
D	17436	REVISED AND REDRAWN	7/5/07	TN
REV	PCR NO	DESCRIPTION	DATE	BY



TITLE 700SP7B20M6QE				
SCALE 2:1	DATE 10/14/2009	DR BLR	DWG T711010	REV F

THE INFORMATION CONTAINED IN THIS DOCUMENT IS PROPRIETARY TO E-SWITCH AND IS NOT TO BE COPIED OR TRANSFERRED