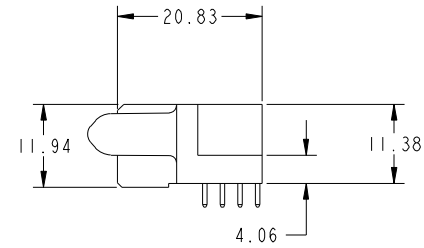
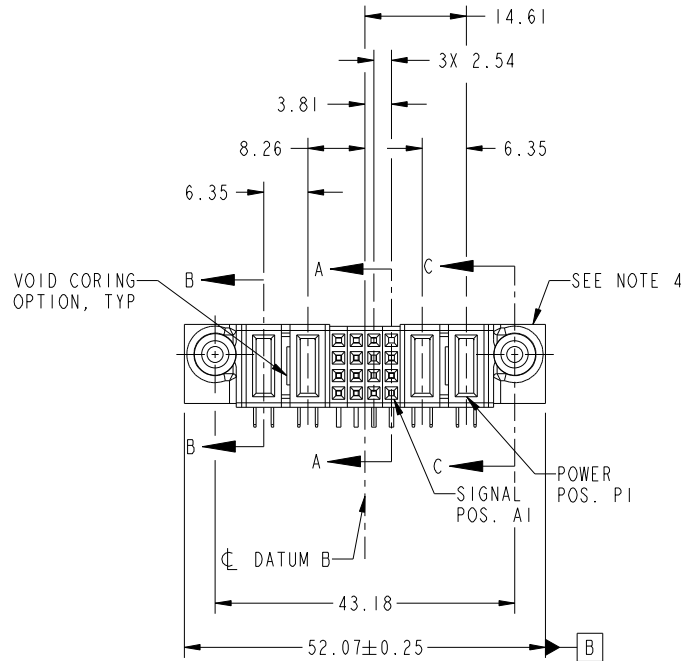


Tous droits strictement reserves. Reproduction ou communication a des tiers interdite sous quelque forme que ce soit sans autorisation écrite du propriétaire. Propriete de c FCI. Droits de reproduction FCI.



All rights strictly reserved. Reproduction or issue to third parties in any form whatever is not permitted without written authority from the proprietor. Property of FCI. Copyright FCI.

PRODUCT NO.	ROWS	POWER		SIGNAL				POWER							
		E2	P4	P3	4	3	2	1	P2	P1	E1				
51770-041 -- NOTE 3	D C B A		PA	PC	H	H	H	H	G	G	G	G	PA	PC	
					F	F	F	F	F	F	F	F			
					E	E	E	E	E	E	E	E			



CODE	DIM "M" MATING LENGTH	CONTACT TYPE
H	[N/A]	SIGNAL
G	[N/A]	SIGNAL
F	[N/A]	SIGNAL
E	[N/A]	SIGNAL
PC	[2.34]	POWER
PA	[1.07]	POWER
X	OMITTED	

mat'l code				SEE NOTE 2		tolerances unless otherwise specified		CUSTOMER		FCI	
ltr	ecn no.	dr	date	linear	0.X ±0.5	projection		COPY		www.fciconnect.com	
A	DG10-0273	Anson	07/23/10	angles	0.XX ±0.25			title		2P + 16S + 2P R/A SOLDER RECEPTACLE	
				dr	0.XXX ±.10	MIM		product family		PwrBlade	code
				enrg	0° ±2°			size		A	213
				chr		scale		dwg no		51770-041	sheet
				appd		1:1		1 of 4			
sheet index	revision sheet	A	A	A	A						
		1	2	3	4						

cage code		22526	
-----------	--	-------	--

Pro/E

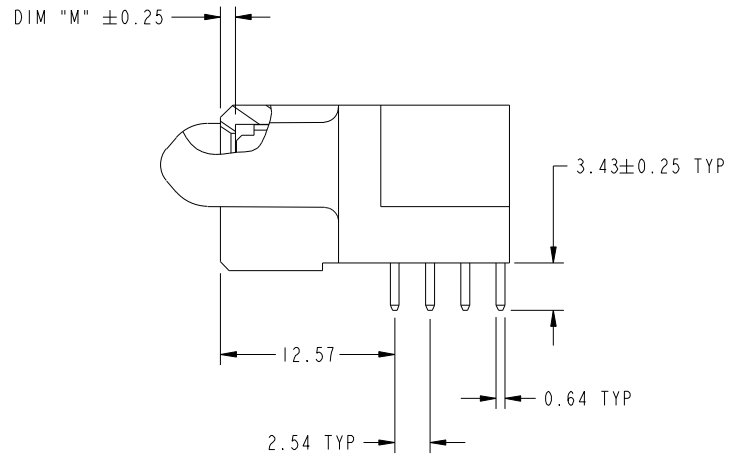
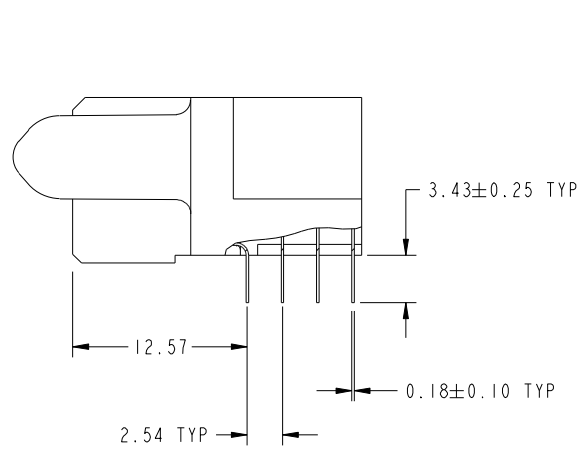
cage code 22526

Tous droits strictement reserves. Reproduction ou communication a des tiers interdite sous quelque forme que ce soit sans autorisation écrite du propriétaire. Propriete de c FCI. Droits de reproduction FCI.

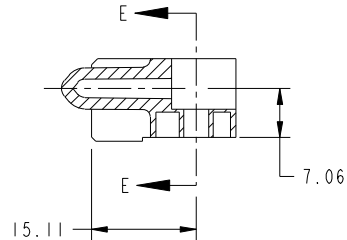


All rights strictly reserved. Reproduction or issue to third parties in any form whatever is not permitted without written authority from the proprietor. Property of FCI. Copyright FCI.

PRODUCT NUMBER
51770-041--
NOTE 3

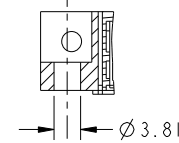


BROKEN-OUT SECTION A-A
SCALE 2:1



SECTION C-C

BROKEN-OUT SECTION B-B
SCALE 2:1



PARTIAL SECTION E-E

mat'l code				SEE NOTE 2		tolerances unless otherwise specified		CUSTOMER		FCI	
ltr	ecn no.	dr	date	linear	0.X ±0.5		COPY		www.fciconnect.com		
A					0.XX ±0.25		projection		title		
					0.XXX ±0.10				2P + 16S + 2P R/A SOLDER RECEPTACLE		
				angles	0° ±2°				product family		code
				dr	Anson Liu	07/23/10	scale		PwrBlade		213
				enr	Jerome Chen	07/23/10	1:1		size		sheet
				chr	PM Zheng	07/23/10	A		dwg no		2 of 4
				appd	JOSEPH HSIA	07/23/10			51770-041		
sheet index	revision sheet										

Pro/E

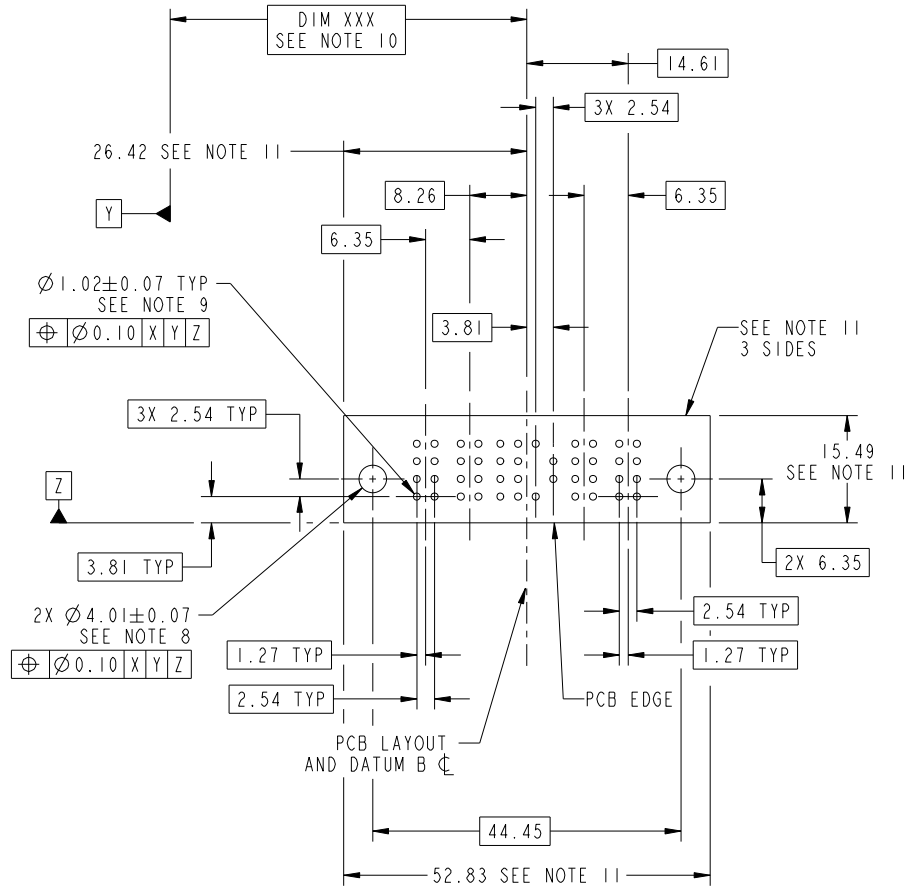
cage code 22526

Tous droits strictement reserves. Reproduction ou communication a des tiers interdite sous quelque forme que ce soit sans autorisation écrite du propriétaire. Propriete de c FCI. Droits de reproduction FCI.



All rights strictly reserved. Reproduction or issue to third parties in any form whatever is not permitted without written authority from the proprietor. Property of FCI. Copyright FCI.

PRODUCT NUMBER
51770-041--
NOTE 3



RECOMMEND PCB LAYOUT

mat'l code		SEE NOTE		tolerances unless otherwise specified		CUSTOMER		FCI	
ltr	ecn no.	dr	date	linear	0.X ± 0.5	COPY		www.fciconnect.com	
A				angles	0.XX ± 0.25	projection	title		
				dr	0.XXX ± 0.10		2P + 16S + 2P		
				enr	0° ± 2°	MIM	R/A SOLDER RECEPTACLE		
				chr	Anson Liu 07/23/10	scale	product family	PwrBlade	code
				appd	Jerome Chen 07/23/10	1:1	size		213
					PM Zheng 07/23/10		dwg no		sheet
					JOSEPH HSIA 07/23/10		A	51770-041	3 of 4
sheet index	revision sheet								

cage code 22526

Pro/E

Tous droits strictement reserves. Reproduction ou communication a des tiers interdite sous quelque forme que ce soit sans autorisation écrite du propriétaire. Propriete de c FCI. Droits de reproduction FCI.



All rights strictly reserved. Reproduction or issue to third parties in any form whatever is not permitted without written authority from the proprietor. Property of FCI. Copyright FCI.

PRODUCT NUMBER
51770-041--
NOTE 3

NOTES:

1. DIMENSIONS AND TOLERANCES ARE IN ACCORDANCE WITH ASME Y14.5M, 1994 UNLESS OTHERWISE SPECIFIED.

CONNECTOR NOTES:

- 2. HOUSING MATERIAL: UL 94 V-0 GLASS FILLED, HIGH-TEMP THERMOPLASTIC
POWER CONTACT MATERIAL: COPPER ALLOY
SIGNAL PIN MATERIAL: COPPER ALLOY
 - 3. PLATING:
SEE ITEM 5 & 6 IN PRINT 10064183 FOR PLATING SPEC OF 51770-041,51770-041LF RESPECTIVELY .
 - 4. MANUFACTURER'S NAME, P/N, AND DATE CODE TO APPEAR ON THIS SURFACE. THE P/N CAN BE OMITTED IF THERE IS NOT ENOUGH SPACE ON THIS SURFACE.
 - 5. PRODUCT SPECIFICATION GS-12-149.
APPLICATION SPECIFICATION BUS-20-067.
 - 6. PACKAGED IN TRAYS.
- PCB NOTES:
- 7. ALL HOLE DIAMETERS ARE FINISHED HOLE SIZE.

- 8. MOUNTING HOLES, WHERE APPLICABLE, ARE UNPLATED.
- 9. $\varnothing 1.151 \pm 0.025$ DRILLED HOLES PLATED WITH
0.008 MIN SnPb OVER 0.03
TO 0.08 Cu PLATING TO ACHIEVE
 $\varnothing 1.02 \pm .07$ HOLE.
- 10. "DIM XXX" TO BE DETERMINED BY THE CUSTOMER.
- 11. CONNECTOR KEEP-OUT ZONE.

mat'l code		SEE NOTE 2		tolerances unless otherwise specified		CUSTOMER		FCI		www.fciconnect.com	
ltr	ecr no.	dr	date	linear	0.X ±0.5	COPY		 title 2P + 16S + 2P R/A SOLDER RECEPTACLE			
A					0.XX ±0.25	projection					
				angles	0.XXX ±0.10	 MIM					
				dr	Anson Liu 07/23/10	scale		product family	PwrBlade	code	213
				enrg	Jerome Chen 07/23/10	1:1		size	dwg no	sheet	4 of 4
				chr	PM Zheng 07/23/10	A		51770-041			
				appd	JOSEPH HSIA 07/23/10						
sheet index	revision sheet										

cage code 22526

Pro/E