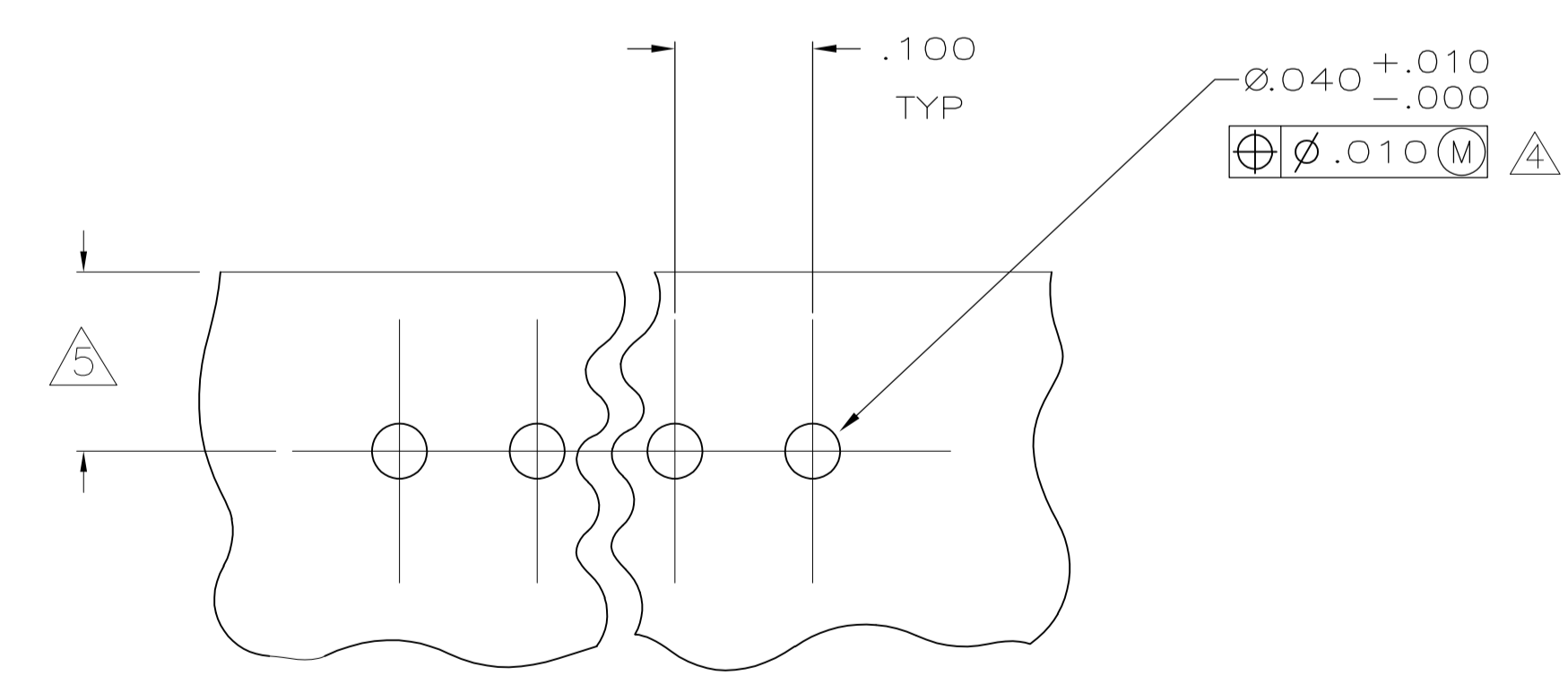
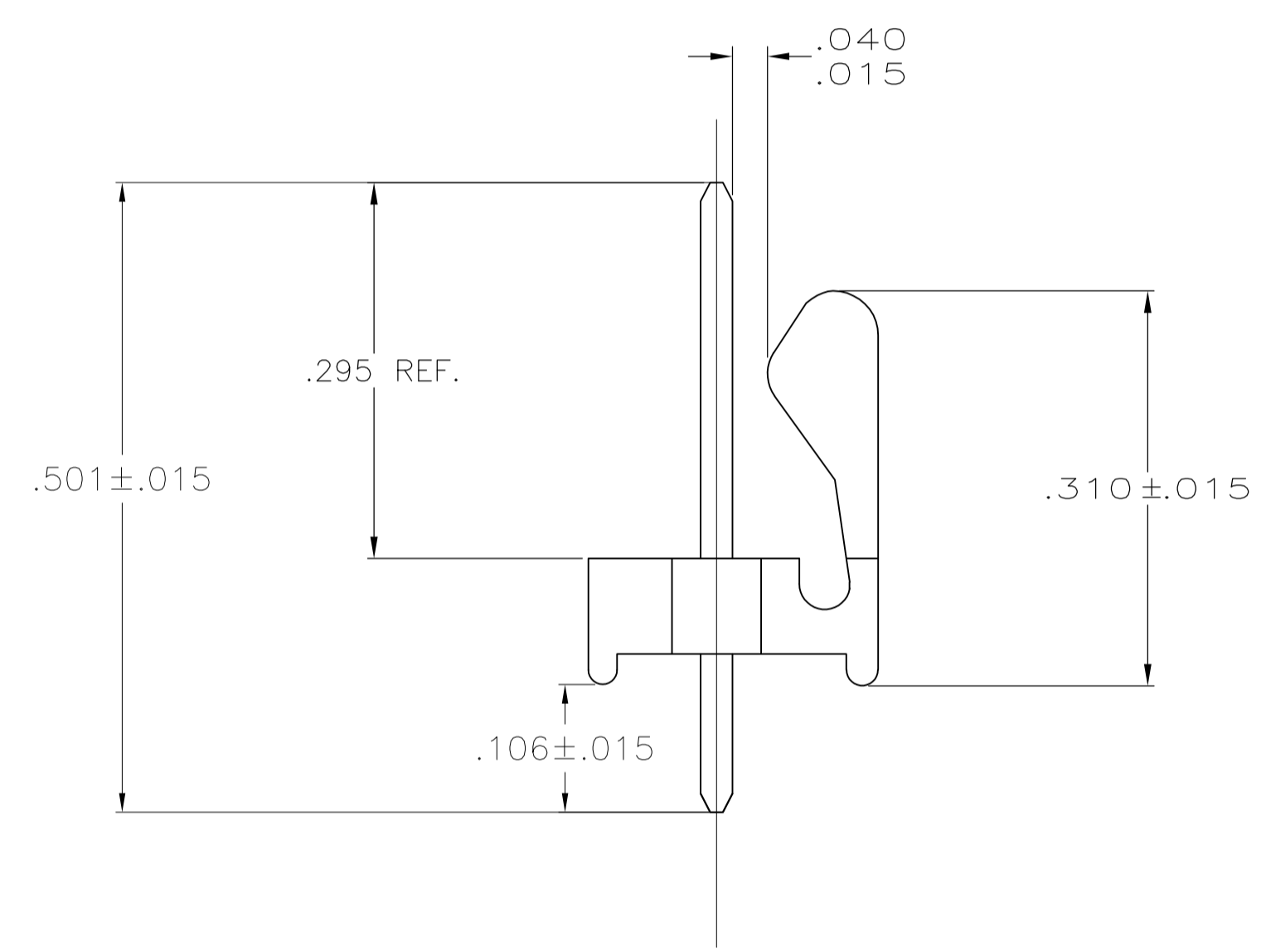
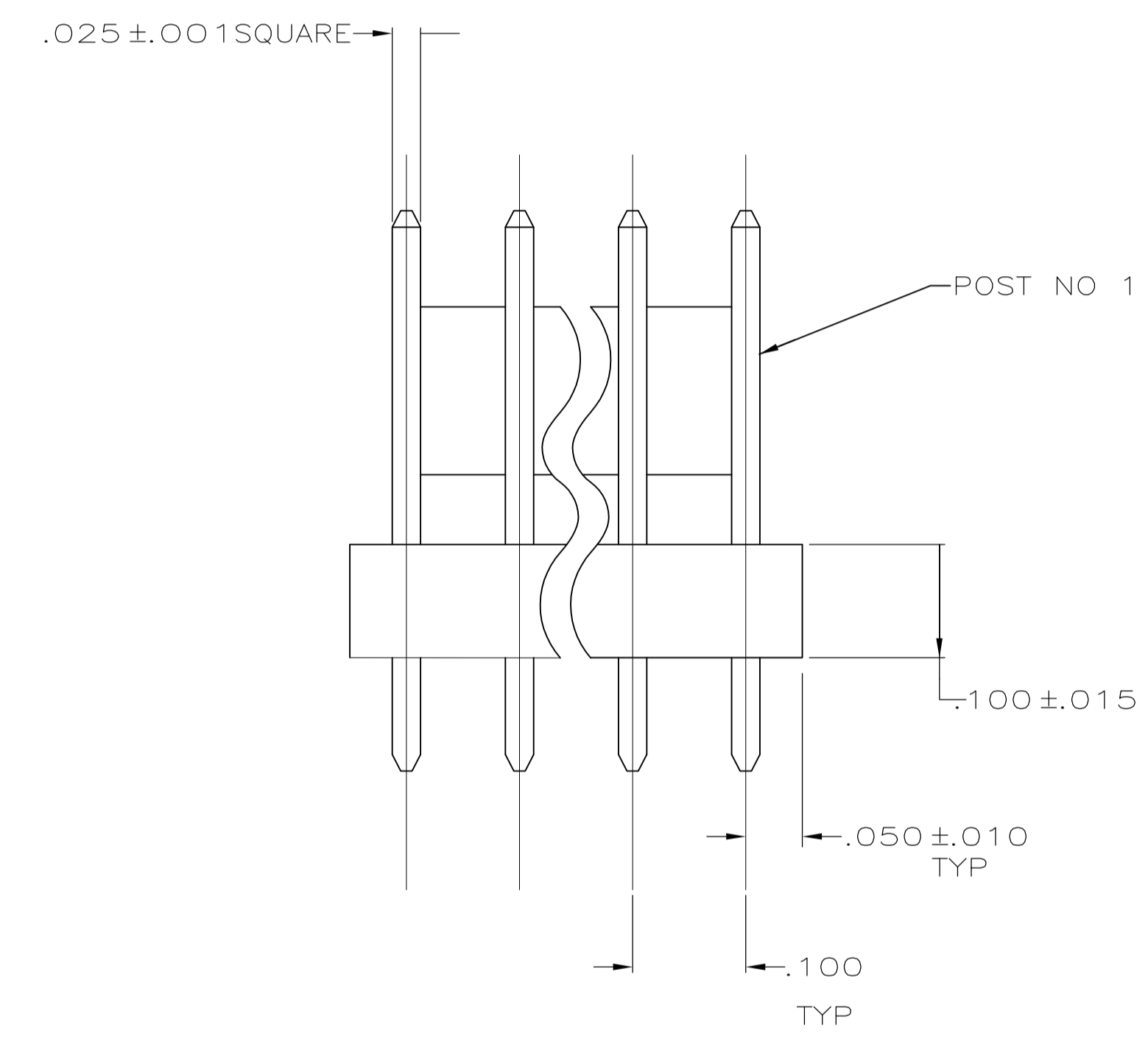


- 1 MATERIAL: HEADER-THERMOPLASTIC POLYESTER
UL94V-0(NATURAL)
POST-COPPER ALLOY
- 2 FINISH:
CONTACT-TIN PLATED
- 3 PARTS COMPLY WITH AMP SOLDERABILITY SPEC. NO. 109-11-12.
- 4 ONE HOLE MAY BE UNDERSIZED(.032-.035 DIA)
FOR ASSEMBLY RETENTION DURING WAVE SOLDERING.
- 5 DIMENSION SHOULD BE .130 MIN WHEN MATING WITH A
MTA 100 CONNECTOR ASSEMBLY OR A CST 100 CONNECTOR.



RECOMMENDED MOUNTING HOLE PATTERN FOR .063 THICK P.C. BOARD

.400	4	2298196-4
.300	3	2298196-3
.200	2	2298196-2
IN	NO OF POSITIONS	PART NUMBER
L		

THIS DRAWING IS A CONTROLLED DOCUMENT.		DWG: NINA LIU 19FEB16 CHK: DANIEL Z 19FEB16 APVD: DANIEL Z 19FEB16	TE Connectivity	
DIMENSIONS: INCHES TOLERANCES UNLESS OTHERWISE SPECIFIED: 0. PLC ± - 1. PLC ± - 2. PLC ± - 3. PLC ± .005 4. PLC ± - ANGLES ± 0°30'		NAME: MTA-100 HEADER ASSEMBLY, POLARIZED, NOTCHED, .025 SQUARE STRAIGHT POST, TIN PLATED PRODUCT SPEC: 108-1050 APPLICATION SPEC: 114-1019		RESTRICTED TO:
MATERIAL: 1 FINISH: 2		WEIGHT: - CUSTOMER DRAWING	SIZE: A1 CAGE CODE: 00779 DRAWING NO: C=2298196	SCALE: N/A SHEET: 1 OF 1 REV: A