

**WIRING DIAGRAM**

1 BROWN	1 BROWN
2 WHITE	2 WHITE
3 BLUE	3 BLUE
4 BLACK	4 BLACK
5 NOT USED	5 GREY

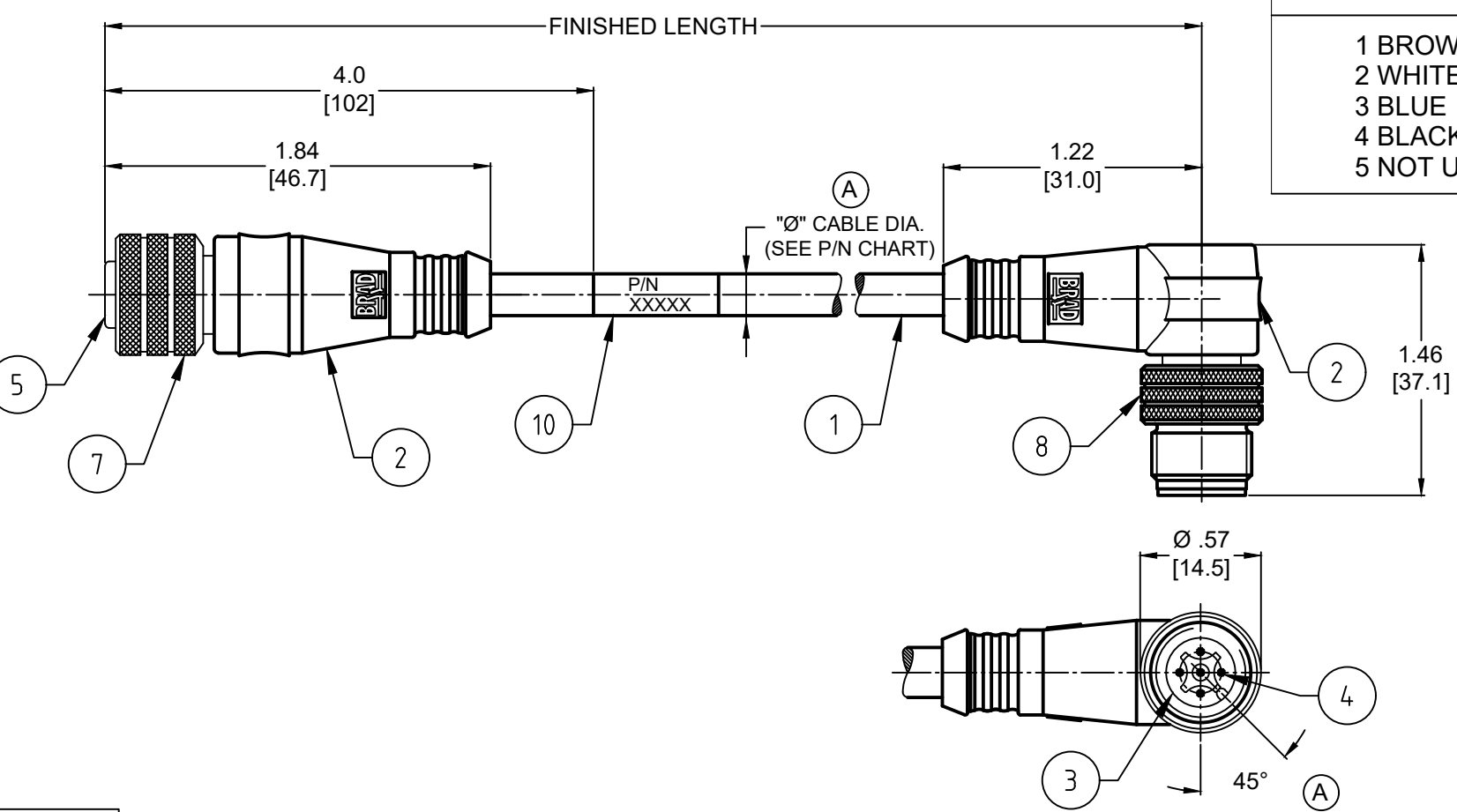
- NOTES:**
1. MATERIAL: AS NOTED
  2. FINISH: AS NOTED
  3. ELECTRICAL:  
VOLTAGE: 250V  
CURRENT: 4A
  4. TEMP RATING: -20°TO +105°C
  5. PROTECTION: IP67 (WHEN MATED)
  6. COUPLING THREAD: M12X1
  7. UL RECOGNIZED FILE: E152210  
CSA CERTIFIED FILE: LR6837 (A)
  8. ALL DIMENSIONS ARE FOR REFERENCE  
UNLESS TOLERANCED OR NOTED OTHERWISE

**CABLE FLEX CHARACTERISTICS (A)**

TORSIONAL FLEX TEST	10 MILLION CYCLES PER MIL-C-13777G
BEND FLEX TEST	10 MILLION CYCLES PER MIL-C-13777G
WELD SLAG RESISTANCE	WOODHEAD STANDARD S-300

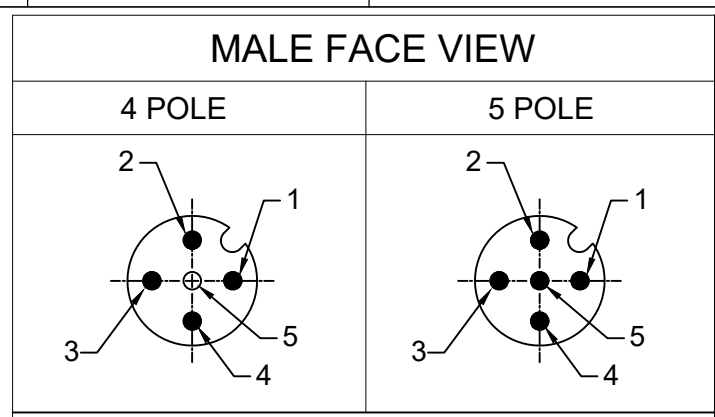
10	LABEL	VINYL	BLACK/YELLOW
9	O-RING	VITON	RED
8	MALE COUPLING NUT	BRASS	NICKEL PLATED
7	FEMALE COUPLING NUT	BRASS	NICKEL PLATED
6	CONTACT SOCKET	COPPER ALLOY	GOLD OVER NICKEL
5	INSERT (FEMALE)	PUR	BLACK
4	CONTACT PIN	COPPER ALLOY	GOLD OVER NICKEL
3	INSERT (MALE)	PUR	BLACK
2	OVERMOLD	TPC	YELLOW
1	CABLE #18/4-5 AWG	TPE JACKET	YELLOW
ITEM	DESCRIPTION	MATERIAL	FINISH

PART NO	ENGINEERING NO.	FINISHED LENGTH	POLES	CABLE DIA.
1200661010	884032K03M004	0.4M [1FT 4 IN]	4	.26/6.6
1200661024	884032K03M150	15M [49FT 3 IN]		
1200661053	885032K03M005	0.5M [1FT 8 IN]	5	.28/7.1
1200661059	885032K03M050	5M [16FT 5 IN]		



**PART NO. MATRIX (A)**  
**884032K03M004**

POLES (4 & 5)  
FINISHED LENGTH  
M005 = 0.5 METER  
M010 = 1 METER  
M100 = 10 METER



**WIRING DIAGRAM**

1 BROWN	1 BROWN
2 WHITE	2 WHITE
3 BLUE	3 BLUE
4 BLACK	4 BLACK
5 NOT USED	5 GREY

- CABLE LENGTH TOLERANCES**
- <.3M [1FT]: +19mm-0 [+ .75in-0]
  - .3 - .9M [1 - 3FT]: +44.5mm-0 [+1.75in-0]
  - .9 - 1.8M [3 - 6FT]: +55.6mm-0 [+2.19in-0]
  - 1.8 - 3.7M [6 - 12FT]: +88.9mm-0 [+3.50in-0]
  - 3.7 - 7.3M [12 - 24FT]: +165.1mm-0 [+6.50in-0]
  - 7.3-14.6M [24 - 48FT]: +317.5mm-0 [+12.50in-0]
  - 14.6 - 30.5M [48-100FT]: +622.3mm-0 [+24.50in-0]
  - OVER 30M [100FT] +2% OF FINISHED LENGTH

FUNCTIONAL SYMBOLS FA=0 FB=0 FC=0	THIS DRAWING CONTAINS INFORMATION THAT IS PROPRIETARY TO MOLEX ELECTRONIC TECHNOLOGIES, LLC AND SHOULD NOT BE USED WITHOUT WRITTEN PERMISSION		<p><b>molex</b></p> <p>MICRO-CHANGE CORDSET, M12 4-5 POLE, FEMALE STRAIGHT - MALE 90DEG, SINGLE KEY, #18 AWG TPE HI-FLEX</p> <p>PRODUCT CUSTOMER DRAWING</p>	
	DIMENSION UNITS <b>INCH/MM</b>	SCALE <b>NTS</b>		
DIVISIONAL SYMBOLS	GENERAL TOLERANCES (UNLESS SPECIFIED)		EC NO: 671333	
	4 PLACES	±----	±----	DRWN: ABENJAMINLW 2021/05/04
DRAFT WHERE APPLICABLE MUST REMAIN WITHIN DIMENSIONS	3 PLACES	±----	±----	CHK'D: RSTONE 2021/07/23
	2 PLACES	±----	±----	APPR: BWOODMAN 2021/07/28
THIRD ANGLE PROJECTION	1 PLACE	±----	±----	INITIAL REVISION:
	0 PLACES	±----	±----	DRWN: LSTEMMLE 2010/02/01
DRAWING SERIES	ANGULAR TOL ± ---- °		APPR: FPACHER 2010/02/03	
	MATERIAL NUMBER	CUSTOMER	DOCUMENT NUMBER	DOC TYPE   DOC PART   REVISION
A3-SIZE	120066	SEE CHART	SD-120066-022	PSD 001 A
SHEET NUMBER		GENERAL MARKET 1 OF 1		