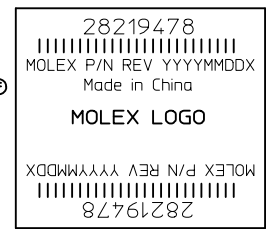
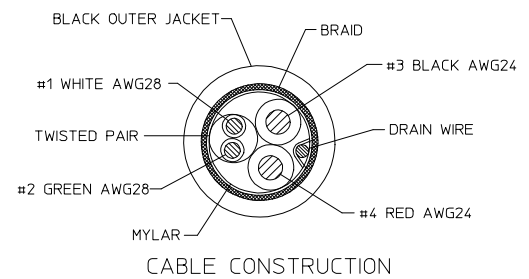


WIRING DIAGRAM

SIGNAL NAME	CONTACT #	MINI-B INLINE (HOST)	MICRO-FIT 3.0 (TARGET)	CONTACT #	SIGNAL NAME	MICRO-FIT 3.0 CRIMP TERMINAL, FEMALE
		WIRE COLORS	WIRE COLORS			
VBUS	PIN 1	RED	RED	PIN 1	VBUS	43030-0001 (20-24 AWG)
D-	PIN 2	WHITE	WHITE	PIN 2	D-	43030-0004 (26-28 AWG)
D+	PIN 3	GREEN	GREEN	PIN 3	D+	43030-0004 (26-28 AWG)
NO CONNECT	PIN 4	NO CONNECT	NO CONNECT	PIN 4	NO CONNECT	N/A
GND	PIN 5	BLACK	BLACK	PIN 5	GND	43030-0001 (20-24 AWG)
CABLE BRAID	SHIELD	BRAID TO SHELL TERMINATION	BRAID TO SHELL TERMINATION	PIN 6	CABLE BRAID	43030-0001 (20-24 AWG)



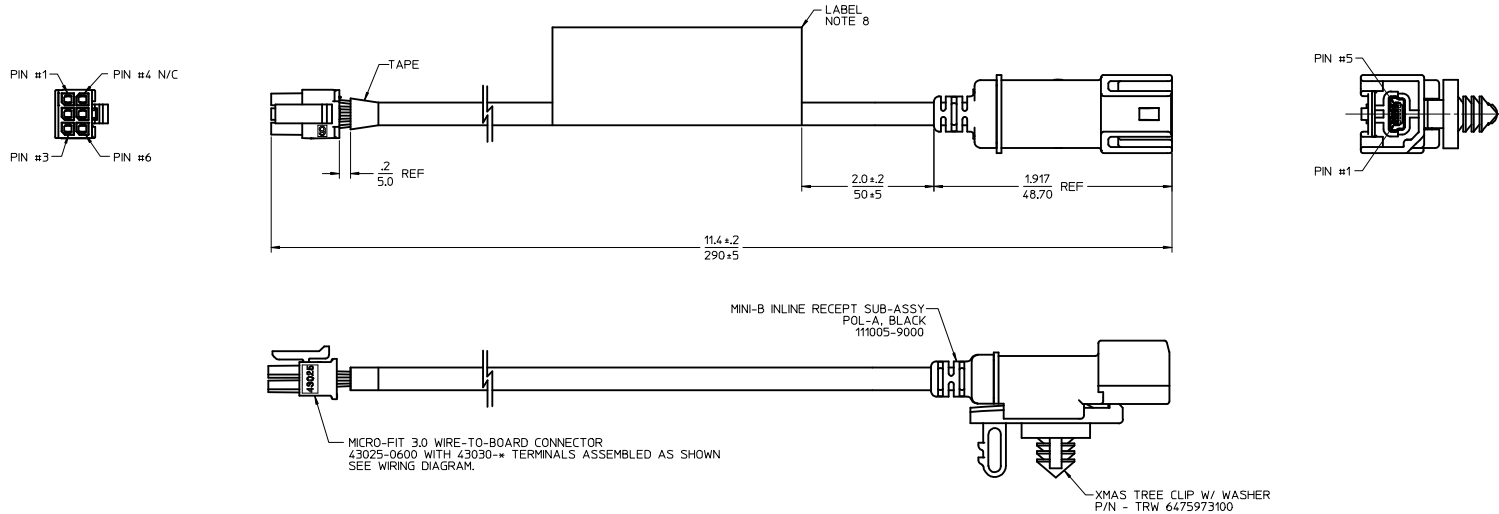
LABEL FORMAT

LAST LETTER OF DATE CODE 'X':
 'D' = DAY SHIFT, 'N' = NIGHT SHIFT
 BAR CODE = CUSTOMER PART NUMBER

NOTES:

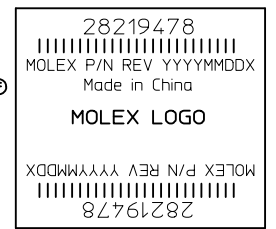
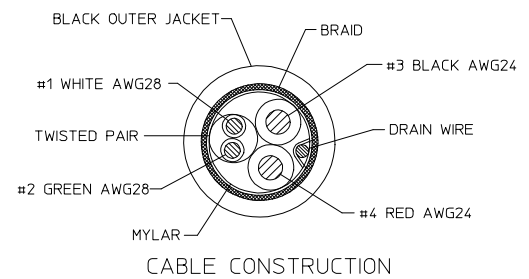
- MOLDED PLASTIC MATERIALS: THERMOPLASTIC, CONTACT MATERIALS: COPPER ALLOY, CABLE: PVC.
- FINISHES: 43030-* TERMINALS TIN PLATED, USB CONTACTS SELECT GOLD OVER TIN.
- PRODUCT SPECIFICATION: PS-43025, PS-43030, PS-68800-001.
- PACKAGING SPECIFICATION: BULK PACKAGED PER PK-*
- MATES WITH: 43020-* PLUGS, 43045-*, 44914-* HEADERS, 111005-* MINI-B PLUGS.
- PART MUST CONFORM TO THE ELECTRICAL CONNECTION SYSTEM DESIGN SPECIFICATION (SDS) VER 13, DATED 06-APR-06, TEMP CLASS *-40-85°C.
- PART MUST CONFORM TO THE LATEST LEVEL OF SAE/USCAR-30 (NOVEMBER 2006) PART MUST CONFORM TO THE LATEST LEVEL OF USB 2.0. (APRIL 27,2000)
- IDENTIFICATION LABEL MUST DISPLAY CUSTOMER PART NUMBER, SUPPLIER PART NUMBER, DATE CODE (YYYYMMDD), REVISION, AND LOGO.
- LEAD FREE, NO ROHS EXEMPTIONS.

UPDATED LABEL EEC NO: CPG2014-1600 TDRWNLHSJ01 2014/02/05 CHYD:JPWLCKI 2014/02/05 APPR:RTSAL 2014/03/20 REV DESCRIPTION	QUALITY SYMBOLS	GENERAL TOLERANCES (UNLESS SPECIFIED)	DIMENSION STYLE	SCALE	DESIGN UNITS	THIRD ANGLE PROJECTION	
	▽=0	mm INCH	N/M/M	2:1	METRIC	☉	
	▽=0	4 PLACES ± --- ± ---	DRAWN BY DATE				TITLE
	▽=0	3 PLACES ± --- ± .010	JPAWLCKI 04/16/2009				USB MINI-B INLINE TO MICRO-FIT 3.0 WTB CONNECTOR CABLE ASSEMBLY
	2 PLACES ± 0.30 ± .02	CHECKED BY DATE					
	1 PLACE ± 0.5 ± ---	KMONROE 04/16/2009					
	0 PLACE ± --- ± ---	APPROVED BY DATE					
		KMONROE 04/16/2009					
	ANGULAR ± 1 °	MATERIAL NO.					
	DRAFT WHERE APPLICABLE MUST REMAIN WITHIN DIMENSIONS	1110050001					
		DOCUMENT NO.					
		SD-111005-001					
		SHEET NO.					
		1 OF 1					



WIRING DIAGRAM

SIGNAL NAME	CONTACT #	MINI-B INLINE (HOST)	MICRO-FIT 3.0 (TARGET)	CONTACT #	SIGNAL NAME	MICRO-FIT 3.0 CRIMP TERMINAL, FEMALE
		WIRE COLORS	WIRE COLORS			
VBUS	PIN 1	RED	RED	PIN 1	VBUS	43030-0001 (20-24 AWG)
D-	PIN 2	WHITE	WHITE	PIN 2	D-	43030-0004 (26-28 AWG)
D+	PIN 3	GREEN	GREEN	PIN 3	D+	43030-0004 (26-28 AWG)
NO CONNECT	PIN 4	NO CONNECT	NO CONNECT	PIN 4	NO CONNECT	N/A
GND	PIN 5	BLACK	BLACK	PIN 5	GND	43030-0001 (20-24 AWG)
CABLE BRAID	SHIELD	BRAID TO SHELL TERMINATION	BRAID TO SHELL TERMINATION	PIN 6	CABLE BRAID	43030-0001 (20-24 AWG)



LABEL FORMAT

LAST LETTER OF DATE CODE 'X':
 'D' = DAY SHIFT, 'N' = NIGHT SHIFT
 BAR CODE = CUSTOMER PART NUMBER

NOTES:

- MOLDED PLASTIC MATERIALS: THERMOPLASTIC, CONTACT MATERIALS: COPPER ALLOY, CABLE: PVC.
- FINISHES: 43030-* TERMINALS TIN PLATED, USB CONTACTS SELECT GOLD OVER TIN.
- PRODUCT SPECIFICATION: PS-43025, PS-43030, PS-68800-001.
- PACKAGING SPECIFICATION: BULK PACKAGED PER PK-*
- MATES WITH: 43020-* PLUGS, 43045-*, 44914-* HEADERS, 111005-* MINI-B PLUGS.
- PART MUST CONFORM TO THE ELECTRICAL CONNECTION SYSTEM DESIGN SPECIFICATION (SDS) VER 13, DATED 06-APR-06, TEMP CLASS *-40-85°C.
- PART MUST CONFORM TO THE LATEST LEVEL OF SAE/USCAR-30 (NOVEMBER 2006) PART MUST CONFORM TO THE LATEST LEVEL OF USB 2.0. (APRIL 27,2000)
- IDENTIFICATION LABEL MUST DISPLAY CUSTOMER PART NUMBER, SUPPLIER PART NUMBER, DATE CODE (YYYYMMDD), REVISION, AND LOGO.
- LEAD FREE, NO ROHS EXEMPTIONS.

UPDATED LABEL EEC NO: CPG2014-1600 TDRWNLHSJ01 2014/02/05 CHYD:JPWLCKI 2014/02/05 APPR:RTSAL 2014/03/20 REV DESCRIPTION	QUALITY SYMBOLS	GENERAL TOLERANCES (UNLESS SPECIFIED)	DIMENSION STYLE	SCALE	DESIGN UNITS	THIRD ANGLE PROJECTION	
	▽=0	mm INCH	N/M/M	2:1	METRIC	☉	
	▽=0	4 PLACES ± --- ± ---	DRAWN BY DATE				
	▽=0	3 PLACES ± --- ± .010	JPWLCKI 04/16/2009				
		2 PLACES ± 0.30 ± .02	CHECKED BY DATE				
		1 PLACE ± 0.5 ± ---	KMONROE 04/16/2009				
		0 PLACE ± --- ± ---	APPROVED BY DATE				
		ANGULAR ± 1 °	KMONROE 04/16/2009				
		DRAFT WHERE APPLICABLE MUST REMAIN WITHIN DIMENSIONS	MATERIAL NO.	DOCUMENT NO.			
			1110050001	SD-111005-001			
			THIS DRAWING CONTAINS INFORMATION THAT IS PROPRIETARY TO MOLEX INCORPORATED AND SHOULD NOT BE USED WITHOUT WRITTEN PERMISSION				

USB MINI-B INLINE TO MICRO-FIT 3.0 WTB CONNECTOR CABLE ASSEMBLY



SHEET NO. 1 OF 1