

5. 材料
 キャリアテープ: ポリプロピレン (PP)
 トップテープ: PET, PE, PEF
 リール: ポリスチレン (PS) <リサイクル材を含む>

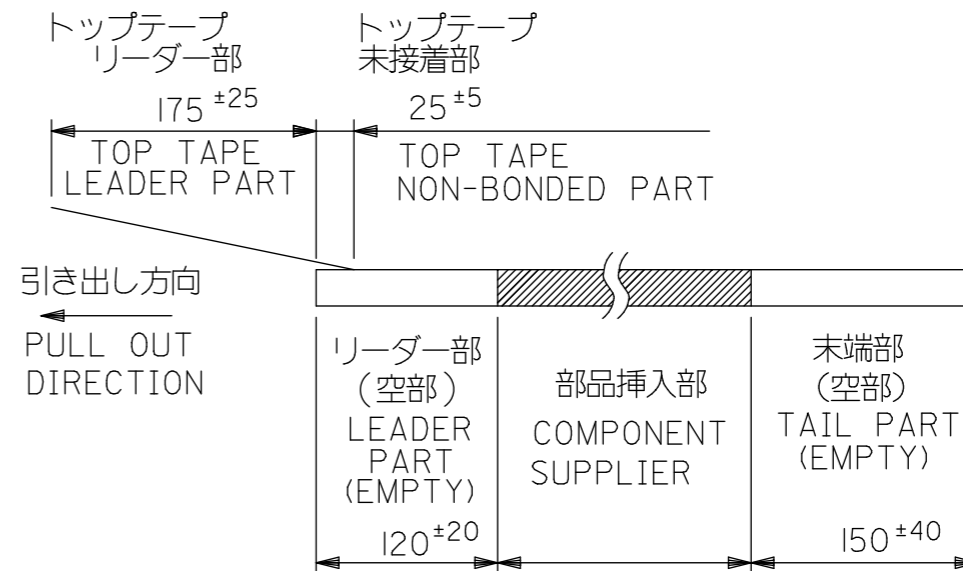
MATERIAL CARRIER TAPE: POLYPROPYLENE
 TOP TAPE: PET, PE, PEF
 REEL: POLYSTYRENE (PS)
 <RECYCLE MATERIAL CONTAINED>

6. 本製品は 52559-**-90の鉛フリー品である。
 THIS PRODUCT IS LEAD FREE OF

7. 本製品は乾燥剤入り、ハイバリア梱包仕様である。
 THIS PRODUCT IS HIGH BARRIER PACKAGE WITH DESICCANT.

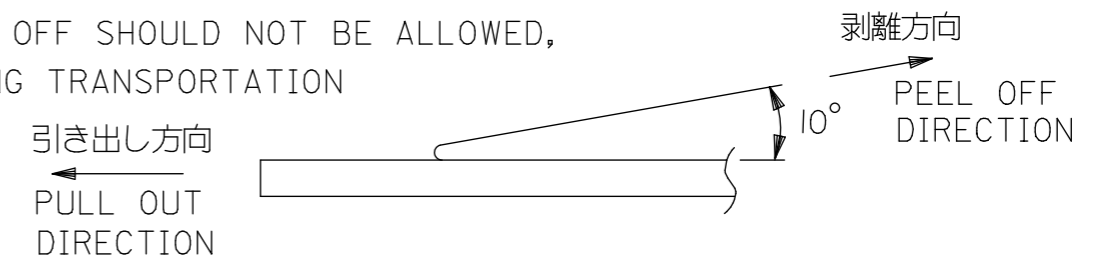
注記 NOTES

- 製品番号 52559-**-19 の梱包状態はアクチュエータがロックした状態とする。
 IN THE PACKAGE, ACTUATOR OF PART NO. 52559-**-19 SHOULD BE LOCKED
- 梱包数量: 1000個/リール
 NUMBER OF CONNECTORS: 1000PCS/REEL
- リードテープ長さ LEAD TAPE LENGTH

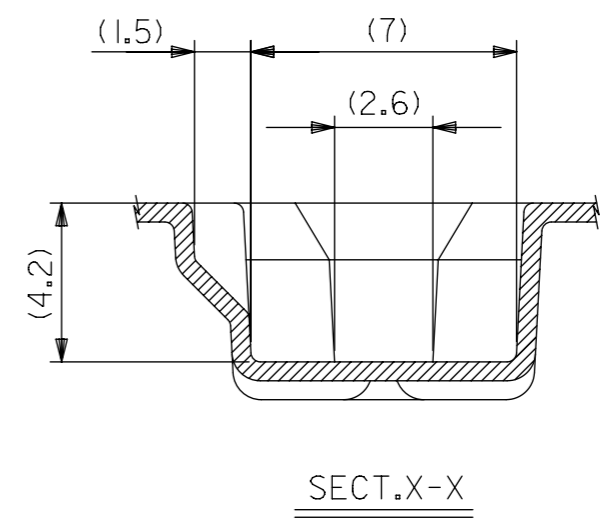
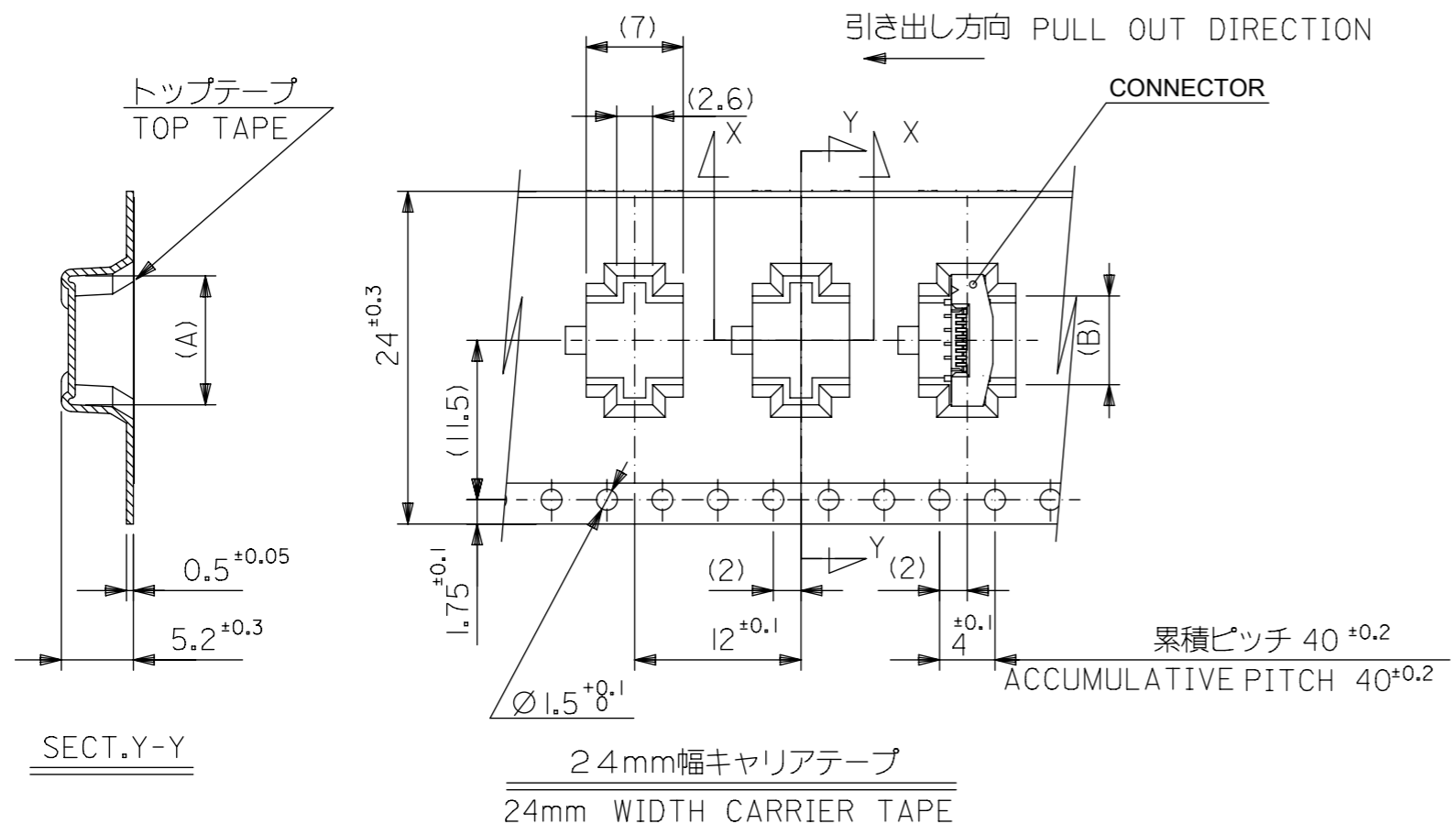


- トップテープの剥離強度: (剥離方向は下図参照)
 0.1N~1.3N {10gf~130gf}尚、本規格値は、出荷時に適用。
 (但し、輸送時に剥離が発生しない事。)

PEELING OFF FORCE OF TOP TAPE
 0.1~1.3N{10gf~130gf}(PEELING DIRECTION AS SHOWN IN FOLLOWING FIG.)
 THIS REQUIREMENT SHOULD BE APPLIED AT SHIPMENT
 PEEL OFF SHOULD NOT BE ALLOWED,
 DURING TRANSPORTATION



THIS DRAWING CONTAINS INFORMATION THAT IS PROPRIETARY TO MOLEX ELECTRONIC TECHNOLOGIES, LLC AND SHOULD NOT BE USED WITHOUT WRITTEN PERMISSION		CURRENT REV DESC:		molex	
DIMENSION UNITS	SCALE				
mm	NTS			0.5 FPC CONN ASSY ZIF SMT SMT EMBSTP PKG -LEAD FREE-	
GENERAL TOLERANCES (UNLESS SPECIFIED)		GENERAL TOLERANCES (UNLESS SPECIFIED)		PRODUCT CUSTOMER DRAWING	
ANGULAR TOL ± °		ANGULAR TOL ± °		DOCUMENT NUMBER	
4 PLACES ±		4 PLACES ±		SD-52559-029	
3 PLACES ±		3 PLACES ±		DOC TYPE	
2 PLACES ±		2 PLACES ±		PSD	
1 PLACE ±		1 PLACE ±		DOC PART	
0 PLACES ±		0 PLACES ±		001	
DRAFT WHERE APPLICABLE MUST REMAIN WITHIN DIMENSIONS		THIRD ANGLE PROJECTION		REVISION	
10 ^{UNDER} ±0.2		10 ^{UNDER} ±0.2		G	
10 ^{OVER} 30 ^{UNDER} ±0.25		10 ^{OVER} 30 ^{UNDER} ±0.25			
30 ^{OVER} ±0.3		30 ^{OVER} ±0.3			
ANGULAR ±3°		ANGULAR ±3°			
		DRAWING		MATERIAL NUMBER	
		A3-SIZE		SEE TABLE	
		SERIES		CUSTOMER	
		52559		GENERAL MARKET	
				SHEET NUMBER	
				1 OF 5	



SECT.Y-Y

24mm幅キャリアテープ
24mm WIDTH CARRIER TAPE

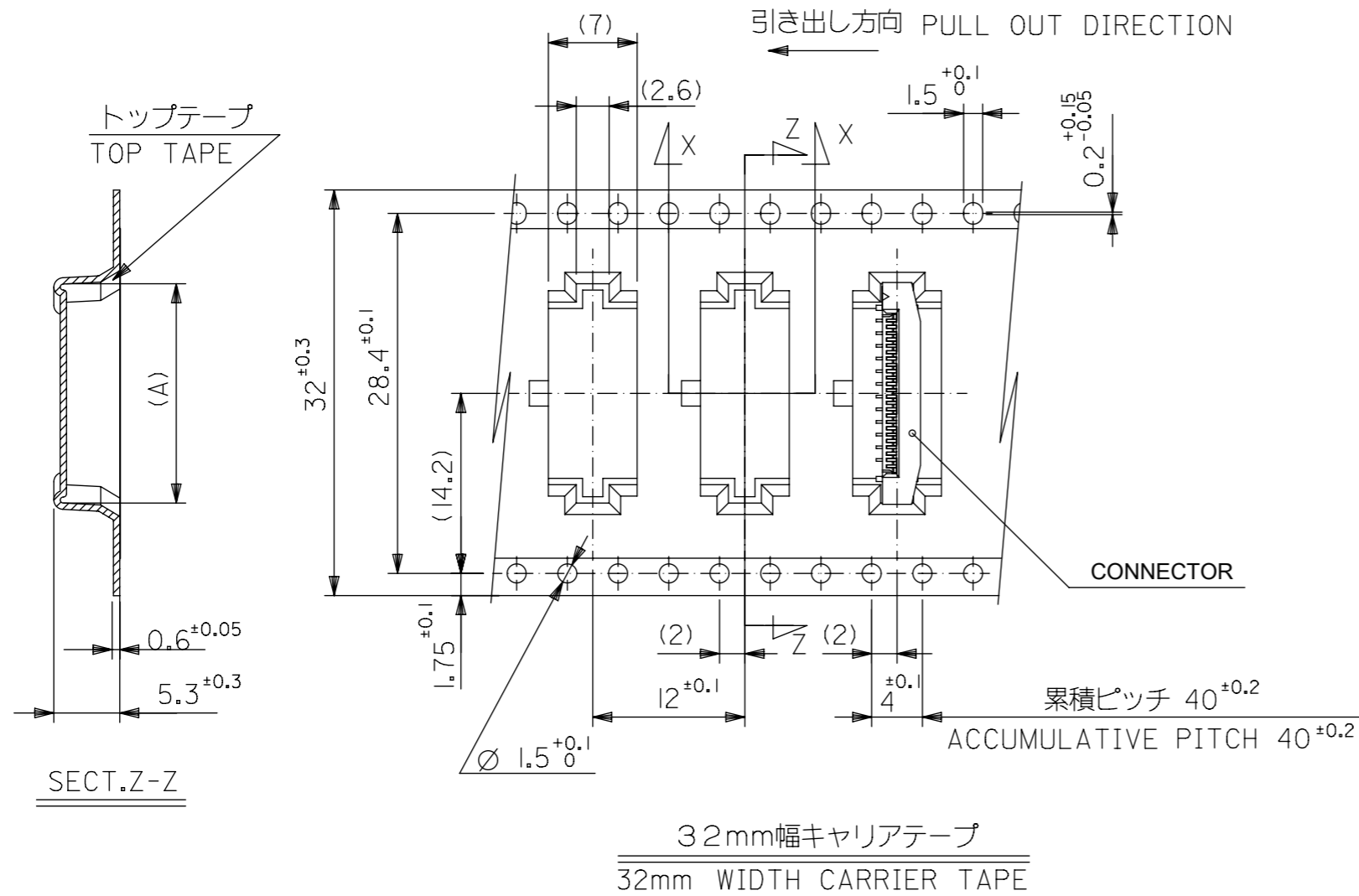
累積ピッチ 40 ±0.2
ACCUMULATIVE PITCH 40±0.2

24	29.4	25.4	13.4	16.3	52559-2270	22
			12.4	15.3	52559-2070	20
			11.4	14.3	52559-1870	18
			10.4	13.3	52559-1670	16
			9.4	12.3	52559-1470	14
			8.9	11.8	52559-1370	13
			6.4	9.3	52559-0870	8
キャリアテープ幅 CARRIER TAPE WIDTH	D	C	(B)	(A)	MATERIAL. NO.	極数 CIRCUIT

THIS DRAWING CONTAINS INFORMATION THAT IS PROPRIETARY TO MOLEX ELECTRONIC TECHNOLOGIES, LLC AND SHOULD NOT BE USED WITHOUT WRITTEN PERMISSION

DIMENSION UNITS	SCALE	CURRENT REV DESC:	molex			
mm	NTS					
GENERAL TOLERANCES (UNLESS SPECIFIED)			0.5 FPC CONN ASSY ZIF SMT SMT EMBSTP PKG -LEAD FREE-			
ANGULAR TOL ± °			PRODUCT CUSTOMER DRAWING			
4 PLACES ±		EC NO: 745355	DOCUMENT NUMBER			
3 PLACES ±		DRWN: RAJMOK	SD-52559-029			
2 PLACES ±		CHK'D: HSHIMOYAMA	DOC TYPE	DOC PART	REVISION	
1 PLACE ±		APPR: HSHIMOYAMA	PSD	001	G	
0 PLACES ±		INITIAL REVISION:	SHEET NUMBER			
		DRWN: HSHIMABUKURO	2 OF 5			
		APPR: MSASAO				
DRAFT WHERE APPLICABLE MUST REMAIN WITHIN DIMENSIONS		THIRD ANGLE PROJECTION	DRAWING	SERIES	MATERIAL NUMBER	CUSTOMER
			A3-SIZE	52559	SEE TABLE	GENERAL MARKET

GENERAL TOLERANCES (UNLESS SPECIFIED)	
10 ^{UNDER}	±0.2
10 ^{OVER} 30 ^{UNDER}	±0.25
30 ^{OVER}	±0.3
ANGULAR	±3 °

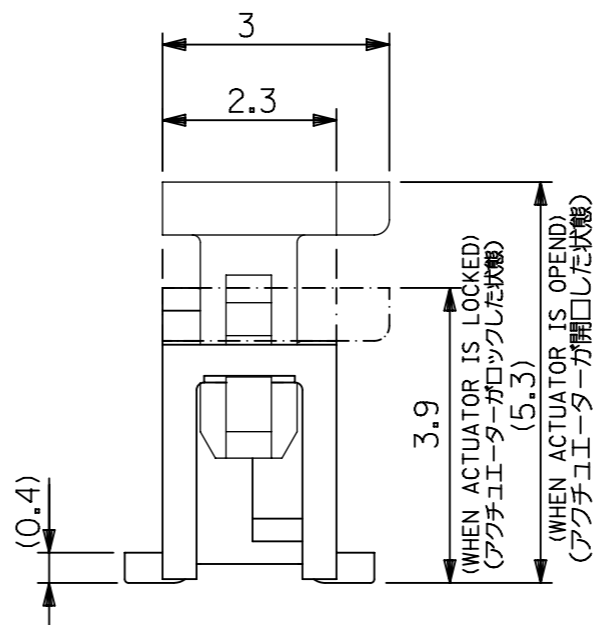
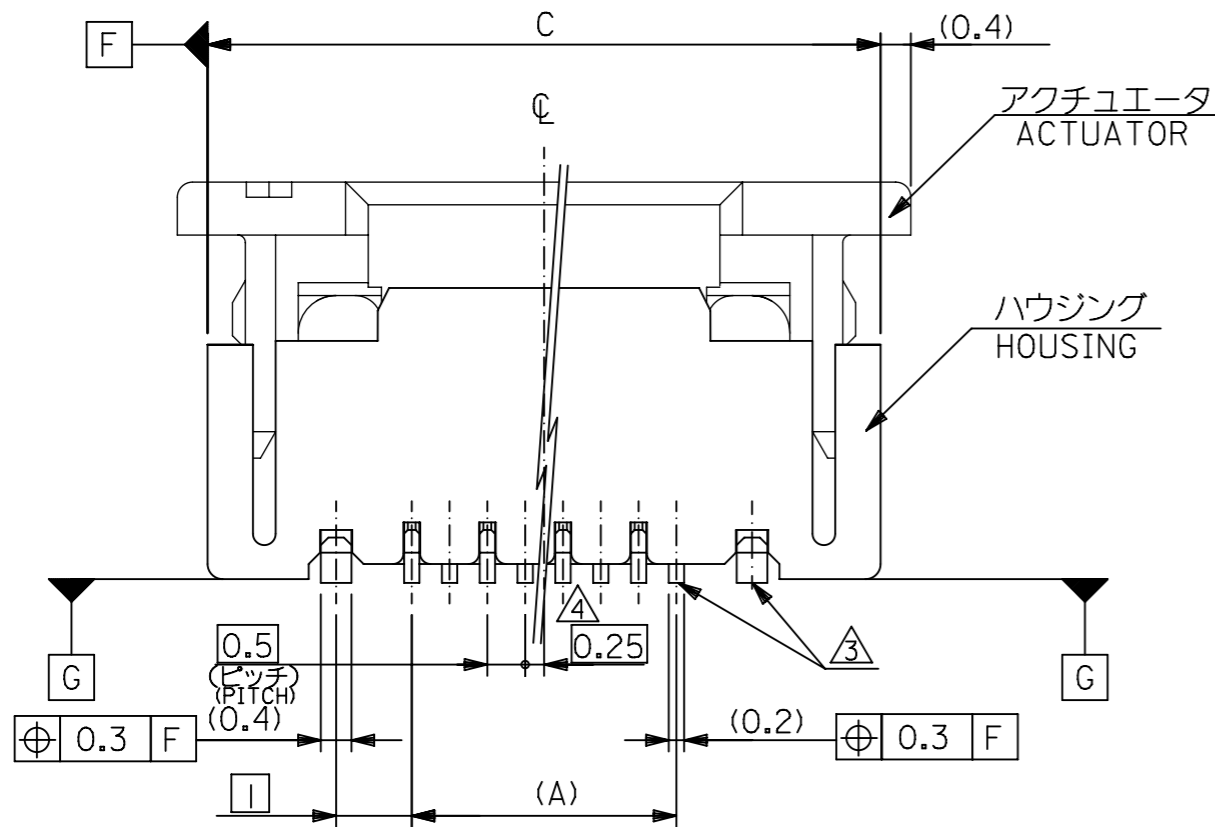
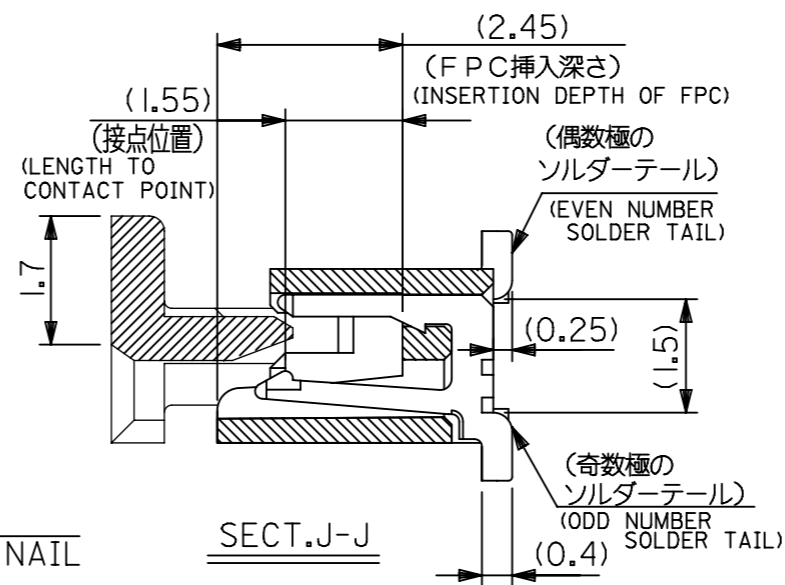
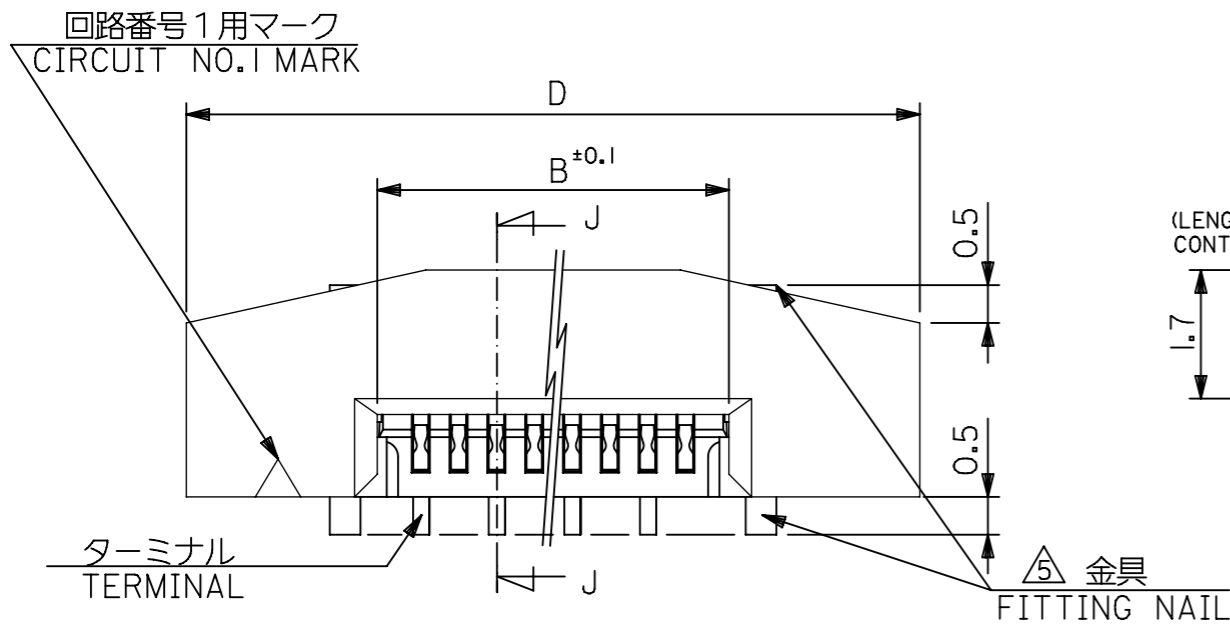


32	37.4	33.4	18.9	21.8	52559-3370	33
			16.4	19.3	52559-2870	28
			14.9	17.8	52559-2570	25
			14.4	17.3	52559-2470	24
キャリアテープ幅 CARRIER TAPE WIDTH	D	C	(B)	(A)	MATERIAL. NO.	極数 CIRCUIT

THIS DRAWING CONTAINS INFORMATION THAT IS PROPRIETARY TO MOLEX ELECTRONIC TECHNOLOGIES, LLC AND SHOULD NOT BE USED WITHOUT WRITTEN PERMISSION

DIMENSION UNITS mm	SCALE NTS	CURRENT REV DESC:		molex		
GENERAL TOLERANCES (UNLESS SPECIFIED)		EC NO: 745355				
ANGULAR TOL ± °	4 PLACES ±	DRWN: RAJMOK		PRODUCT CUSTOMER DRAWING		
3 PLACES ±	2 PLACES ±	CHK'D: HSHIMOYAMA		DOCUMENT NUMBER		
1 PLACE ±	0 PLACES ±	APPR: HSHIMOYAMA		SD-52559-029		
DRAFT WHERE APPLICABLE MUST REMAIN WITHIN DIMENSIONS		INITIAL REVISION:		DOC TYPE		
THIRD ANGLE PROJECTION		DRWN: HSHIMABUKURO		PSD		
DRAWING		APPR: MSASAO		DOC PART		
A3-SIZE		2004/01/08		001		
SERIES		MATERIAL NUMBER		REVISION		
52559		SEE TABLE		G		
CUSTOMER		SHEET NUMBER				
GENERAL MARKET		3 OF 5				

GENERAL TOLERANCES (UNLESS SPECIFIED)	
10 ^{UNDER}	±0.2
10 ^{OVER} 30 ^{UNDER}	±0.25
30 ^{OVER}	±0.3
ANGULAR	±3 °

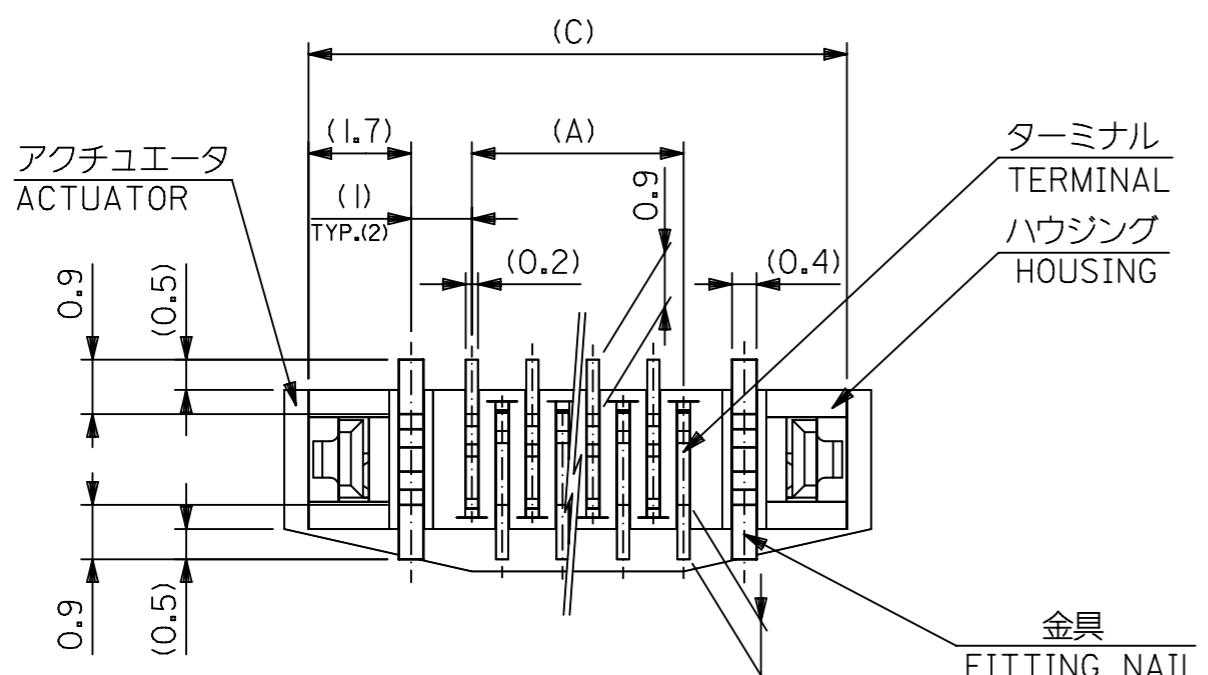


22.2	21.4	17.15	16.0	52559-3370	33
19.7	18.9	14.65	13.5	-2870	28
18.2	17.4	13.15	12.0	-2570	25
17.7	16.9	12.65	11.5	-2470	24
16.7	15.9	11.65	10.5	-2270	22
15.7	14.9	10.65	9.5	-2070	20
14.7	13.9	9.65	8.5	-1870	18
13.7	12.9	8.65	7.5	-1670	16
12.7	11.9	7.65	6.5	-1470	14
12.2	11.4	7.15	6.0	-1370	13
9.7	8.9	4.65	3.5	52559-0870	8
D	C	B	(A)	MATERIAL NO.	極数 (PKT.)

THIS DRAWING CONTAINS INFORMATION THAT IS PROPRIETARY TO MOLEX ELECTRONIC TECHNOLOGIES, LLC AND SHOULD NOT BE USED WITHOUT WRITTEN PERMISSION

DIMENSION UNITS	SCALE	CURRENT REV DESC:	molex		
mm	NTS				
GENERAL TOLERANCES (UNLESS SPECIFIED)			0.5 FPC CONN ASSY ZIF SMT SMT EMBSTP PKG -LEAD FREE-		
ANGULAR TOL ± °			PRODUCT CUSTOMER DRAWING		
4 PLACES ±		EC NO: 745355	DOCUMENT NUMBER		
3 PLACES ±		DRWN: RAJMOK	DOC TYPE		
2 PLACES ±		CHK'D: HSHIMOYAMA	DOC PART		
1 PLACE ±		APPR: HSHIMOYAMA	REVISION		
0 PLACES ±		INITIAL REVISION:	SD-52559-029		
DRAFT WHERE APPLICABLE MUST REMAIN WITHIN DIMENSIONS			MATERIAL NUMBER		
THIRD ANGLE PROJECTION			CUSTOMER		
DRAWING			SHEET NUMBER		
SERIES			GENERAL MARKET		
A3-SIZE			4 OF 5		

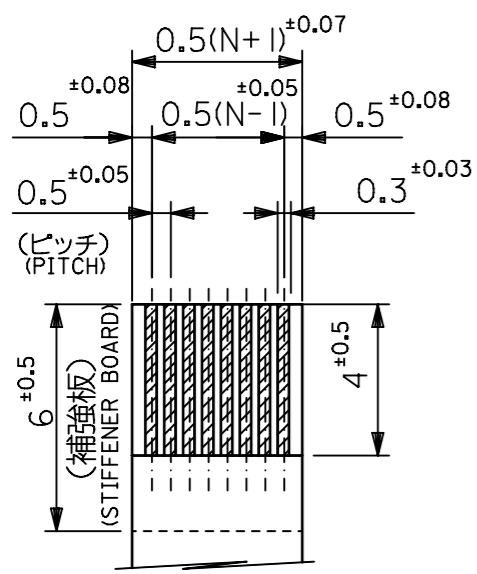
GENERAL TOLERANCES (UNLESS SPECIFIED)	
10 ^{UNDER}	±0.2
10 ^{OVER} 30 ^{UNDER}	±0.25
30 ^{OVER}	±0.3
ANGULAR	±3 °



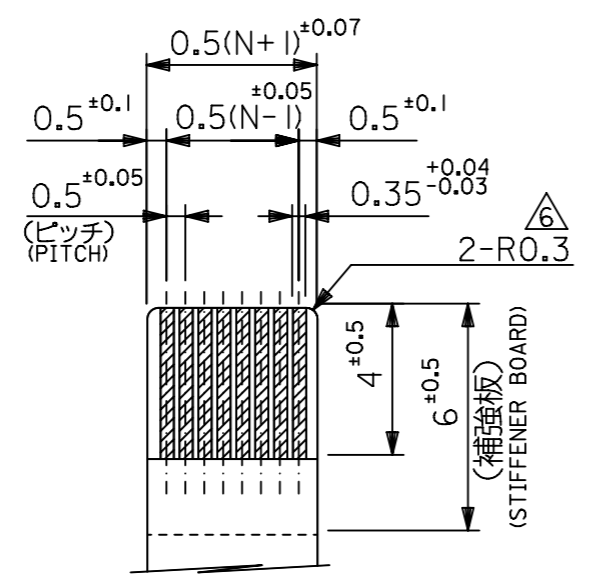
FPCについて：
 打抜き方向は導体側から補強板側を推奨致します。
 補強フィルム材質はポリイミドを推奨致します。
 接着剤は熱硬化接着剤を推奨致します。

ABOUT FPC :
 RECOMMENDED PUNCHER DIRECTION : FROM CONDUCTOR SIDE TO STIFFENER BOARD SIDE.
 RECOMMENDED MATERIAL :
 STIFFENER FILM : POLYIMIDE
 BONDING AGENT : THERMOSETTING BONDING AGENT

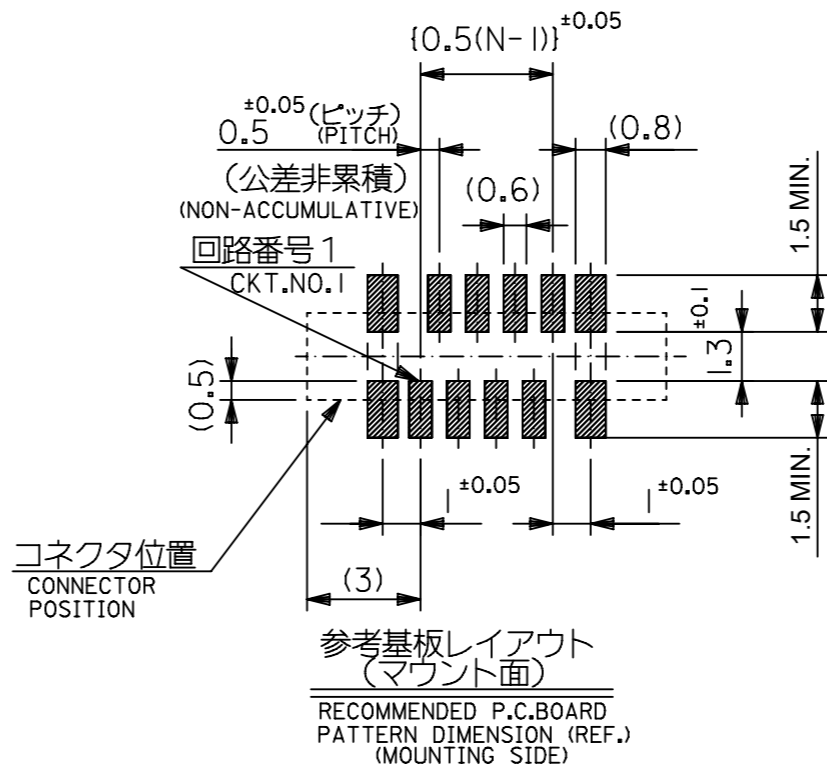
下面図
 BOTTOM VIEW



適合FFC推奨寸法
 APPLICABLE FFC
 RECOMMENDED DIMENSION.
 (仕上がり厚さ: 0.3±0.05)
 (THICKNESS: 0.3±0.05)



適合FPC推奨寸法
 APPLICABLE FPC
 RECOMMENDED DIMENSION.
 (仕上がり厚さ: 0.3±0.05)
 (THICKNESS: 0.3±0.05)

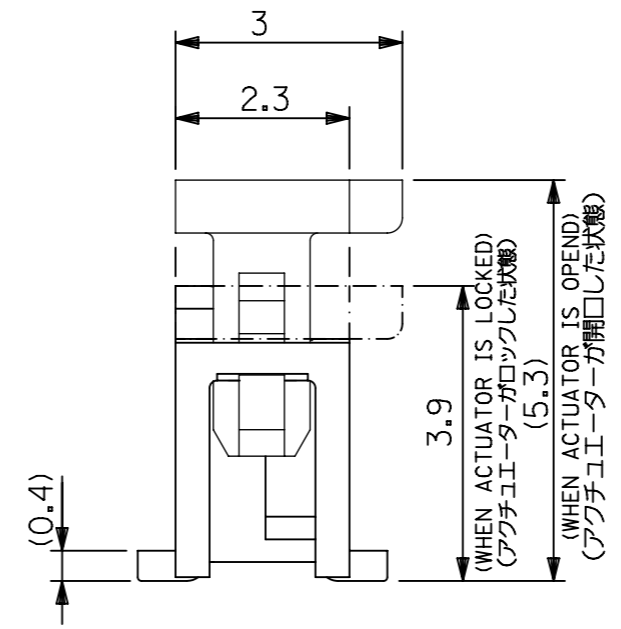
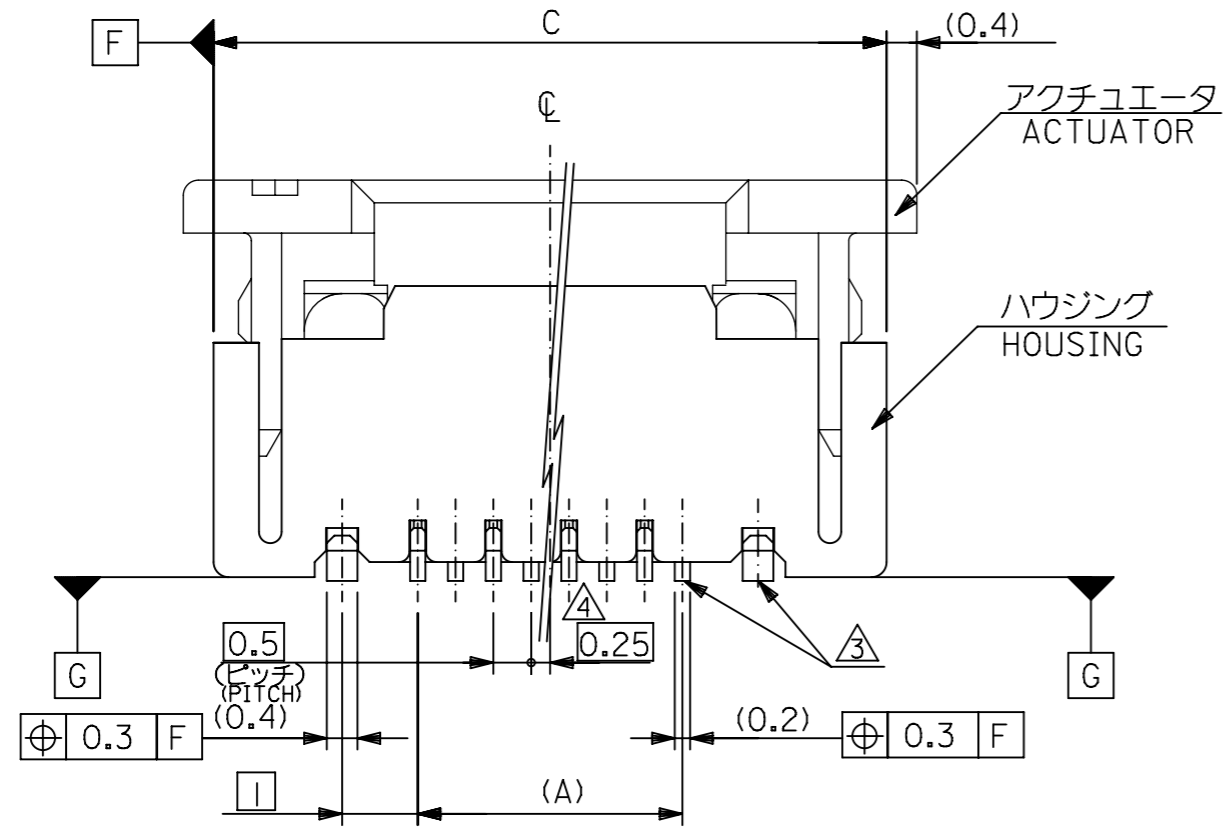
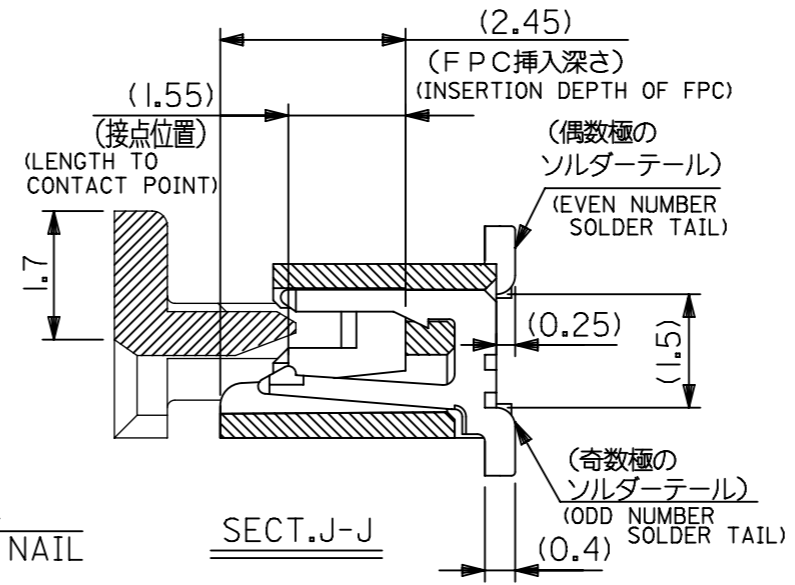
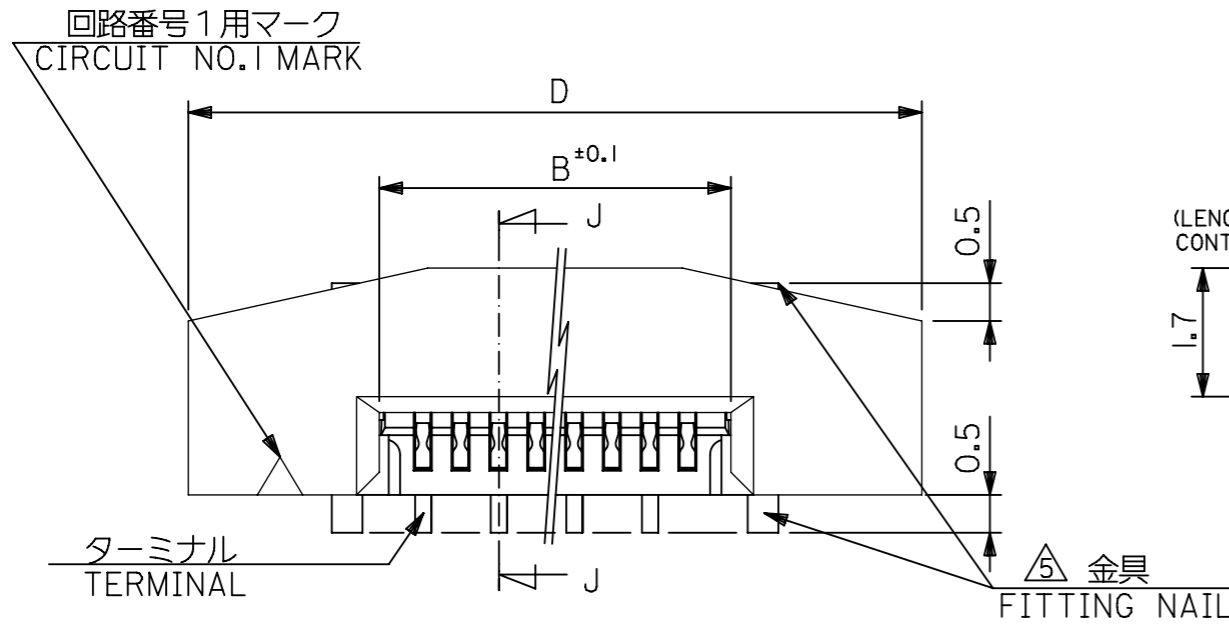


参考基板レイアウト
 (マウント面)
 RECOMMENDED P.C.BOARD
 PATTERN DIMENSION (REF.)
 (MOUNTING SIDE)

注記 NOTES

- 使用材料: MATERIAL
 ハウジング HOUSING : 46NYLON UL94V-0
 アクチュエータ ACTUATOR : PPS UL94V-0
 ターミナル TERMINAL : リン青銅 (t=0.2) PHOS-BRO
 : 錫ビスマスメッキ 1.0マイクロメートル以上 TIN-BISMUTH 1.0 MICROMETER MINIMUM
 : ニッケル下地 1.0マイクロメートル以上 NICKEL(UNDER PLATING) 1.0 MICROMETER MINIMUM
 金具 FITTING NAIL : リン青銅 (t=0.4) PHOS-BRO
 : 錫メッキ 1.0マイクロメートル以上 TIN 1.0 MICROMETER MINIMUM
 : ニッケル下地 1.0マイクロメートル以上 NICKEL(UNDER PLATING) 1.0 MICROMETER MINIMUM
- エンボステープ梱包時は、アクチュエータがロックした状態とする。
 IN THE PACKAGE, ACTUATOR OF PART NO.52559-***19 SHOULD BE LOCKED.
- △ ソルダータール半田付け面のズレ量、及び金具半田付け面のズレ量は、基準面 G に対し上方向 0.05 MAX. , 下方向 0.15 MAX. とする。
 MISALIGNMENT OF SOLDER TAILS AND FITTING NAILS FROM G UPPER DIRECTION: 0.05 MAX. , LOWER DIRECTION: 0.15 MAX.
- △ 偶数極に適用。
 APPLY FOR EVEN CIRCUIT.
- △ パターンはくり止め用金具。
 FITTING NAIL FOR PREVENTION OF PEELING OF P.C.B. PATTERN.
- △ R0.3は、FPCの導体部にかからないこと。
 R0.3 MUST NOT BE OVERLAPPED TO PATTERN OF FPC.
- 本製品は 52559-***17 の鉛フリー品である。
 THIS PRODUCT IS LEAD FREE OF 52559-***17

THIS DRAWING CONTAINS INFORMATION THAT IS PROPRIETARY TO MOLEX ELECTRONIC TECHNOLOGIES, LLC AND SHOULD NOT BE USED WITHOUT WRITTEN PERMISSION		CURRENT REV DESC:		molex	
DIMENSION UNITS	SCALE				
mm	NTS			0.5 FPC CONN ASSY ZIF SMT SMT EMBSTP PKG -LEAD FREE-	
GENERAL TOLERANCES (UNLESS SPECIFIED)				PRODUCT CUSTOMER DRAWING	
ANGULAR TOL	± °			DOCUMENT NUMBER	
4 PLACES	±	EC NO: 745355	2023/04/05	SD-52559-029	
3 PLACES	±	DRWN: RAJMOK	2023/04/07	DOC TYPE	DOC PART
2 PLACES	±	CHK'D: HSHIMOYAMA	2023/04/07	PSD	001
1 PLACE	±	APPR: HSHIMOYAMA	2023/04/07	REVISION	
0 PLACES	±	INITIAL REVISION:		G	
DRAFT WHERE APPLICABLE MUST REMAIN WITHIN DIMENSIONS		DRWN: HSHIMABUKURO	2004/01/07		
THIRD ANGLE PROJECTION		APPR: MSASAO	2004/01/08		
DRAWING		SERIES	MATERIAL NUMBER	CUSTOMER	
A3-SIZE		52559	SEE TABLE	GENERAL MARKET	
SHEET NUMBER		5 OF 5			

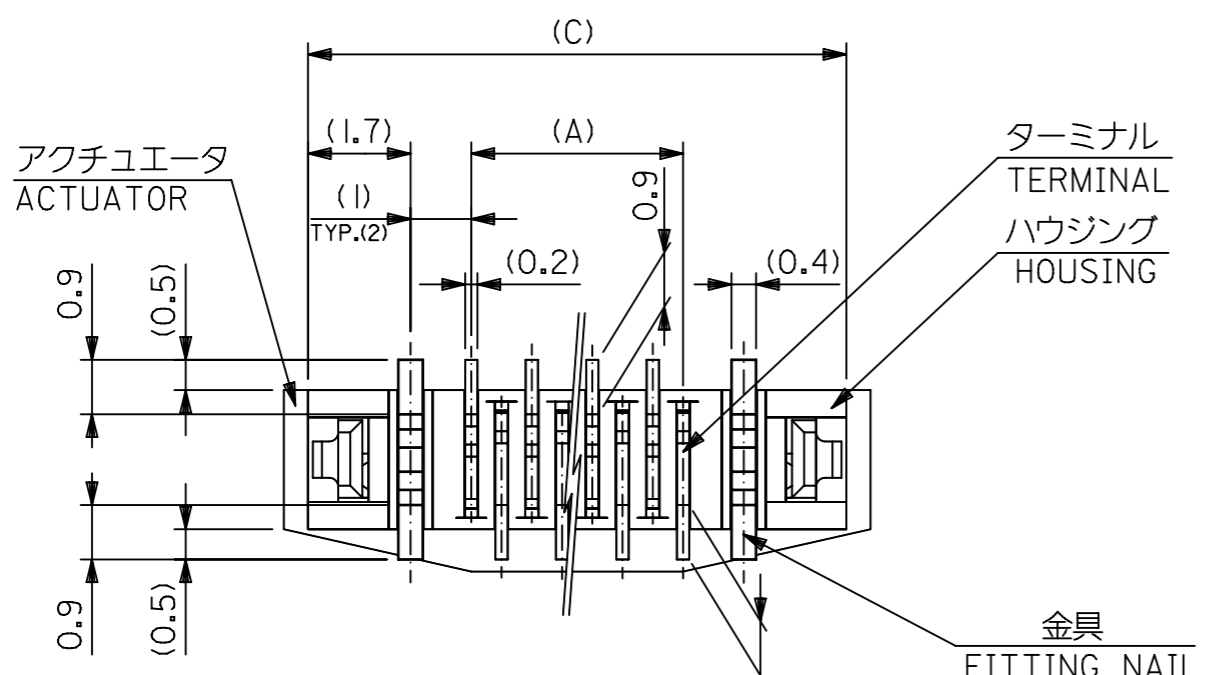


注記 NOTES

- 使用材料 : MATERIAL
 ハウジング : 46NYLON UL94V-0
 アクチュエータ : PPS UL94V-0
 ターミナル : リン青銅 (t=0.2) PHOS-BRO
 : 錫ビスマスマッキ 1.0マイクロメートル以上 TIN-BISMUTH 1.0 MICROMETER MINIMUM
 : ニッケル下地 1.0マイクロメートル以上 NICKEL(UNDER PLATING) 1.0 MICROMETER MINIMUM
 金具 : リン青銅 (t=0.4) PHOS-BRO
 : 錫メッキ 1.0マイクロメートル以上 TIN 1.0 MICROMETER MINIMUM
 : ニッケル下地 1.0マイクロメートル以上 NICKEL(UNDER PLATING) 1.0 MICROMETER MINIMUM
- エンボスステップ梱包時は、アクチュエータがロックした状態とする。
 IN THE PACKAGE, ACTUATOR OF PART NO.52559-***19 SHOULD BE LOCKED.
- △ ソルダーテール半田付け面のズレ量、及び金具半田付け面のズレ量は、基準面 G に対し上方向 0.05 MAX. , 下方向 0.15 MAX. とする。
 MISALIGNMENT OF SOLDER TAILS AND FITTING NAILS FROM G UPPER DIRECTION: 0.05 MAX. , LOWER DIRECTION: 0.15 MAX.
- △ 偶数極に適用。
 APPLY FOR EVEN CIRCUIT.
- △ パターンはくり止め用金具。
 FITTING NAIL FOR PREVENTION OF PEELING OF P.C.B. PATTERN.
- △ R0.3は、FPCの導体部にかからないこと。
 R0.3 MUST NOT BE OVERLAPPED TO PATTERN OF FPC.
- 本製品は 52559-***17 の鉛フリー品である。
 THIS PRODUCT IS LEAD FREE OF 52559-***17

THIS DRAWING CONTAINS INFORMATION THAT IS PROPRIETARY TO MOLEX ELECTRONIC TECHNOLOGIES, LLC AND SHOULD NOT BE USED WITHOUT WRITTEN PERMISSION		CURRENT REV DESC:		molex	
DIMENSION UNITS	SCALE				
mm	NTS			0.5 FPC CONN ZIF FOR SMT S/T SHEET 1 OF 2 - LEAD FREE-	
GENERAL TOLERANCES (UNLESS SPECIFIED)		GENERAL TOLERANCES (UNLESS SPECIFIED)		PRODUCT CUSTOMER DRAWING	
ANGULAR TOL	± °	4 PLACES	±	EC NO: 719890	2022/08/22
4 PLACES	±	3 PLACES	±	DRWN: NARENC	2022/09/05
3 PLACES	±	2 PLACES	±	CHK'D: SMARUYAMA	2022/09/05
2 PLACES	±	1 PLACE	±	APPR: YNAITO	2022/09/05
1 PLACE	±	0 PLACES	±	INITIAL REVISION:	
0 PLACES	±			DRWN: HSHIMABUKURO	2004/01/07
DRAFT WHERE APPLICABLE MUST REMAIN WITHIN DIMENSIONS		THIRD ANGLE PROJECTION	DRAWING	SERIES	MATERIAL NUMBER
		⊕	A3-SIZE	52559	SEE CHART
				CUSTOMER	SHEET NUMBER
				GENERAL MARKET	1 OF 2

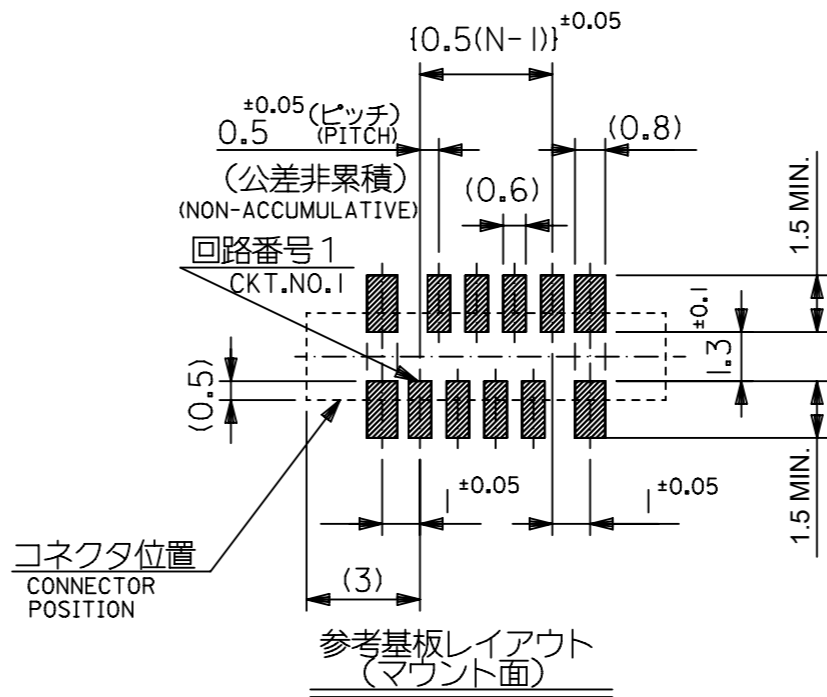
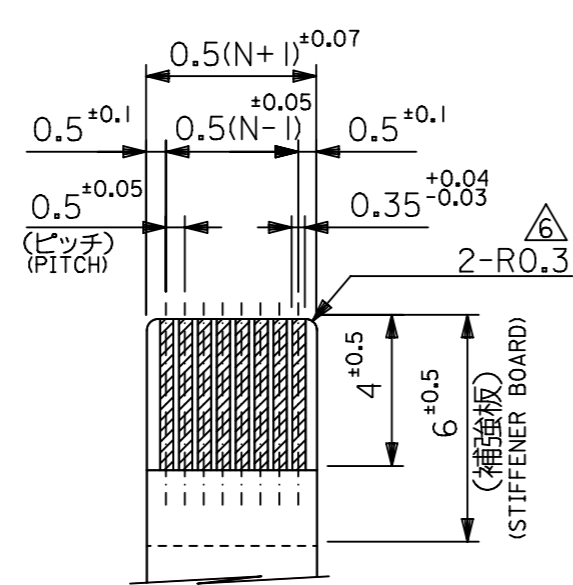
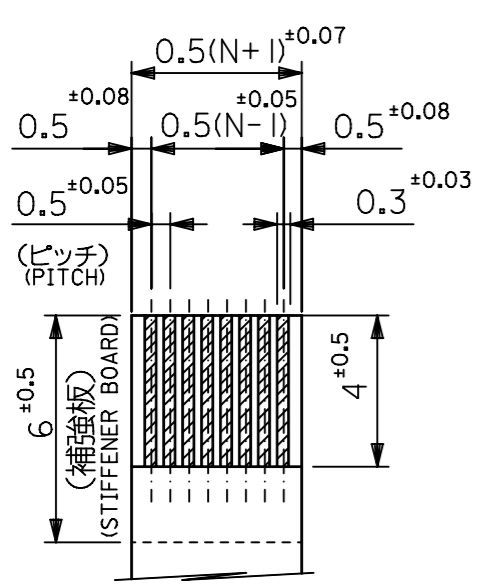
GENERAL TOLERANCES (UNLESS SPECIFIED)	
10 ^{UNDER}	±0.2
10 ^{OVER} 30 ^{UNDER}	±0.25
30 ^{OVER}	±0.3
ANGULAR	±3 °



FPCについて：
打抜き方向は導体側から補強板側を推奨致します。
補強フィルム材質はポリイミドを推奨致します。
接着剤は熱硬化接着剤を推奨致します。

ABOUT FPC :
RECOMMENDED PUNCHER DIRECTION : FROM CONDUCTOR SIDE TO STIFFENER BOARD SIDE.
RECOMMENDED MATERIAL :
STIFFENER FILM : POLYIMIDE
BONDING AGENT : THERMOSETTING BONDING AGENT

下面図
BOTTOM VIEW



25.7	24.9	20.65	19.5	52559-40	19	40
23.7	22.9	18.65	17.5	-36	19	36
22.2	21.4	17.15	16.0	-33	19	33
21.7	20.9	16.65	15.5	-32	19	32
20.7	19.9	15.65	14.5	-30	19	30
19.7	18.9	14.65	13.5	-28	19	28
19.2	18.4	14.15	13.0	-27	19	27
18.7	17.9	13.65	12.5	-26	19	26
18.2	17.4	13.15	12.0	-25	19	25
17.7	16.9	12.65	11.5	-24	19	24
17.2	16.4	12.15	11.0	-23	19	23
16.7	15.9	11.65	10.5	-22	19	22
16.2	15.4	11.15	10.0	-21	19	21
15.7	14.9	10.65	9.5	-20	19	20
14.7	13.9	9.65	8.5	-18	19	18
14.2	13.4	9.15	8.0	-17	19	17
13.7	12.9	8.65	7.5	-16	19	16
13.2	12.4	8.15	7.0	-15	19	15
12.7	11.9	7.65	6.5	-14	19	14
12.2	11.4	7.15	6.0	-13	19	13
11.7	10.9	6.65	5.5	-12	19	12
10.7	9.9	5.65	4.5	-10	19	10
10.2	9.4	5.15	4.0	-09	19	9
9.7	8.9	4.65	3.5	-08	19	8
8.7	7.9	3.65	2.5	52559-06	19	6
D	C	B	(A)	MATERIAL NO.	極数	極数

THIS DRAWING CONTAINS INFORMATION THAT IS PROPRIETARY TO MOLEX ELECTRONIC TECHNOLOGIES, LLC AND SHOULD NOT BE USED WITHOUT WRITTEN PERMISSION						
DIMENSION UNITS	SCALE	CURRENT REV DESC:				
mm	NTS					
GENERAL TOLERANCES (UNLESS SPECIFIED)		ANGULAR TOL ± °				
4 PLACES ±		EC NO: 719890				
3 PLACES ±		DRWN: NARENC 2022/08/22				
2 PLACES ±		CHK'D: SMARUYAMA 2022/09/05				
1 PLACE ±		APPR: YNAITO 2022/09/05				
0 PLACES ±		INITIAL REVISION:				
DRAFT WHERE APPLICABLE MUST REMAIN WITHIN DIMENSIONS		DRWN: HSHIMABUKURO 2004/01/07				
		APPR: MSASAO 2004/01/08				
THIRD ANGLE PROJECTION		DRAWING	SERIES	MATERIAL NUMBER	CUSTOMER	SHEET NUMBER
A3-SIZE		52559	SEE CHART	GENERAL MARKET	2 OF 2	

molex

0.5 FPC CONN ZIF FOR SMT
S/T SHEET 1 OF 2 - LEAD FREE-

PRODUCT CUSTOMER DRAWING

DOCUMENT NUMBER: SD-52559-045
DOC TYPE: PSD
DOC PART: 001
REVISION: B