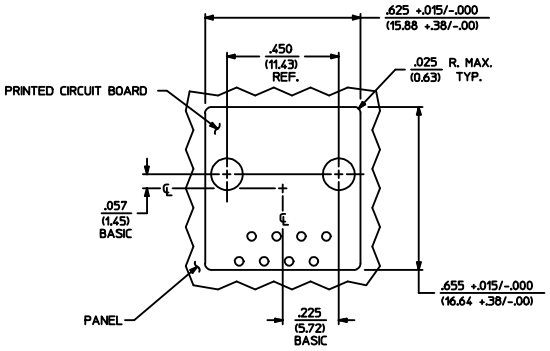
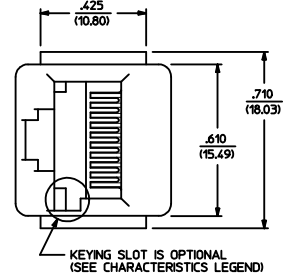


MODULAR JACK CHARACTERISTICS LEGEND	
EXTERNAL CONNECTOR BODY DIMENSIONS: (SEE NOTES 8 AND 9) JACKS ARE AVAILABLE IN STANDARD 4, 6, AND 8 POSITION BODY SIZES	
NUMBER OF CONTACT POSITIONS: CONNECTOR SIZE 4 CAN ACCOMMODATE 2 OR 4 TERMINALS, CONNECTOR SIZE 6 CAN ACCOMMODATE 2, 4, OR 6 TERMINALS, CONNECTOR SIZE 8 CAN ACCOMMODATE 2, 4, 6, 8, OR 10 TERMINALS	
POLARIZATION OPTION: "NO"= JACKS WITHOUT KEYING SLOT "YES"= JACKS WITH KEYING SLOT (AVAILABLE ON CONNECTOR SIZE 8 ONLY)	
MOUNTING EARS OPTION: "YES"= JACKS WITH MOUNTING EARS "NO"= JACKS WITHOUT MOUNTING EARS	

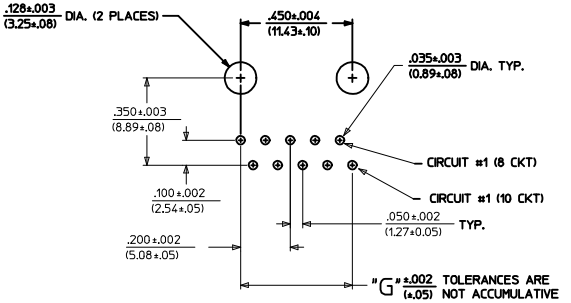
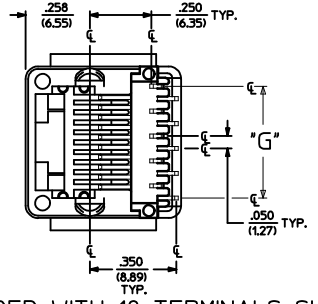
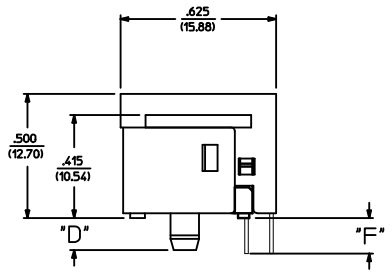
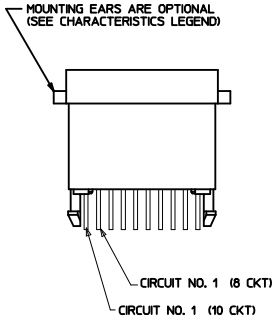
- NOTES:
- 1) MATERIALS: HOUSING- POLYESTER, GLASS FILLED, UL94V-0, COLOR - BLACK  
TERMINALS- PHOSPHOR BRONZE ALLOY, .015/(0.38) THICK.
  - 2) TERMINAL PLATING:  
SELECT GOLD IN CONTACT AREA: 50 MICRONS MIN.  
\*SELECT TIN IN PC TAIL AREA: 100 MICRONS MIN.  
WITH OVERALL NICKEL UNDERPLATE: 50 MICRONS MIN.  
\*THE PRIMARY SHIPPING CARTON WILL BE LABELED "COMPLIANT TO ROHS DIRECTIVE 2002/95/EC AND ELV ANNEX II OF DIRECTIVE 2000/53/EC". CARTONS WITHOUT THIS LABEL MAY CONTAIN PRODUCT WITH TIN-LEAD IN THE PC TAIL.
  - 3) THESE MODULAR JACKS MEET THE PERFORMANCE REQUIREMENTS OF MOLEX PRODUCT SPECIFICATION PS-42878.
  - 4) CONNECTORS ARE SHIPPED IN THERMOFORMED TRAYS, PER PACKAGING SPECIFICATION PK-42878-492.
  - 5) ALL JACKS ARE DESIGNED TO BE USED WITH .062/(1.57) OR .125/(3.18) THICK P.C. BOARDS.
  - 6) ALL JACKS CONFORM TO AND ACCEPT PLUGS WHICH CONFORM TO FCC RULES AND REGULATIONS PART 68, SUBPART F.
  - 7) ALL JACKS MUST BE CAPABLE OF FITTING INTO MOLEX GAGE G-42410 (CONNECTOR SIZE 8).
  - 8) SEE SHEETS 1 & 4 FOR CONNECTOR SIZE 4.
  - 9) SEE SHEETS 2 & 4 FOR CONNECTOR SIZE 6.
  - 10) ENGRAVED NUMBERS ON HOUSING BODY ARE FOR MOLDING IDENTIFICATION ONLY, THEY ARE NOT INTENDED FOR ASSEMBLY IDENTIFICATION PURPOSES.
  - 11) THIS PART CONFORMS TO CLASS B REQUIREMENTS OF COSMETIC SPECIFICATION PS-45499-002 WITH THE EXCEPTION OF THE SINK WHICH CONFORMS TO CLASS C REQUIREMENTS.

P.C. BOARD THICKNESS	DIM. "D" (MTG. PEGS)	DIM. "F" (P.C. TAILS)
.062/(1.57)	.128 (3.25)	.120 +.015/-0.25 (3.05 +.38/-6.3)
.125/(3.18)	.191 (4.85)	.205 +.015/-0.25 (5.21 +.38/-6.3)

CONNECTOR SIZE	CIRCUIT SIZE	DIM. "G"
8	10	.450 (11.43)
8	8	.350 (8.89)
8	6	.250 (6.35)
8	4	.150 (3.81)
8	2	.050 (1.27)



PANEL CUT-OUT FOR CONNECTOR SIZE 8



P.C. BOARD LAYOUT FOR CONNECTOR SIZE 8  
10 CIRCUIT SHOWN

SIZE 8 MODULAR JACK LOADED WITH 10 TERMINALS SHOWN ABOVE

ADD COSMETIC SPEC EC NO. UCP2009-1267 DRAWN:JKLOS/EMER 2008/12/01 CHKD:JBELL 2008/12/02 APPR:FSM/TH 2008/12/02	QUALITY SYMBOLS =0 =0	GENERAL TOLERANCES (UNLESS SPECIFIED)		DIMENSION STYLE		SCALE	DESIGN UNITS	THIRD ANGLE PROJECTION
		mm	INCH	IN/MM		1:1	INCH	☉ □
		4 PLACES	± ---	± ---	DRAWN BY	DATE	TITLE	
		3 PLACES	± ---	± .010	BAP	1992/04/09	ASSEMBLY, VERTICAL LOW PROFILE MODULAR JACKS (CONNECTOR SIZE 8)	
		2 PLACES	± 0.25	± ---	CHECKED BY	DATE	MOLEX INCORPORATED	
		1 PLACE	± ---	± ---	BAP	1992/04/09	MOLEX INCORPORATED	
		ANGULAR ±1/2°		APPROVED BY	DATE	DOCUMENT NO.		
		DRAFT WHERE APPLICABLE MUST REMAIN WITHIN DIMENSIONS		RAS	1992/04/09	SDA-42878-****		
		SEE SHEET 5		MATERIAL NO.		SHEET NO.		
		THIS DRAWING CONTAINS INFORMATION THAT IS PROPRIETARY TO MOLEX INCORPORATED AND SHOULD NOT BE USED WITHOUT WRITTEN PERMISSION		DATE		3 OF 5		

X=NOT TOOLED	PART CHARACTERISTICS					
	ASSEMBLY ITEM NUMBER	EXTERNAL CONNECTOR SIZE	NUMBER OF POSITIONS	P. C. BOARD THICKNESS	POLARIZATION OPTION	MOUNTING EARS OPTION
	42878-8408	8 POS. BODY	8	.062	NO	YES
	42878-8410	↑	↑	↑	NO	NO
	42878-8456	↑	↑	↑	YES	YES
	42878-8458			.062	YES	NO
X	42878-8504			.125	NO	YES
	42878-8506			↑	NO	NO
X	42878-8552			↓	YES	YES
X	42878-8554		8	.125	YES	NO
X	42878-8696		6	.062	NO	YES
X	42878-8698		↑	↑	NO	NO
X	42878-8744		↑	↓	YES	YES
X	42878-8746			.062	YES	NO
X	42878-8792			.125	NO	YES
X	42878-8794			↑	NO	NO
X	42878-8840			↑	YES	YES
X	42878-8842	8 POS. BODY	6	.125	YES	NO

X=NOT TOOLED	PART CHARACTERISTICS					
	ASSEMBLY ITEM NUMBER	EXTERNAL CONNECTOR SIZE	NUMBER OF POSITIONS	BOARD THICKNESS/ P.C. TAIL OPTION	POLARIZATION OPTION	MOUNTING EARS OPTION
X	42878-8984	8 POS. BODY	4	.062	NO	YES
X	42878-8986	↑	↑	↑	NO	NO
X	42878-9032	↑	↑	↓	YES	YES
X	42878-9034			.062	YES	NO
X	42878-9080			.125	NO	YES
X	42878-9082			↑	NO	NO
X	42878-9128			↓	YES	YES
X	42878-9130		4	.125	YES	NO
X	42878-9272		2	.062	NO	YES
X	42878-9274		↑	↑	NO	NO
X	42878-9320		↑	↓	YES	YES
X	42878-9322			.062	YES	NO
X	42878-9368			.125	NO	YES
	42878-9370			↑	NO	NO
X	42878-9416			↓	YES	YES
X	42878-9418	8 POS. BODY	2	.125	YES	NO

X=NOT TOOLED	PART CHARACTERISTICS					
	ASSEMBLY ITEM NUMBER	EXTERNAL CONNECTOR SIZE	NUMBER OF POSITIONS	BOARD THICKNESS/ P.C. TAIL OPTION	POLARIZATION OPTION	MOUNTING EARS OPTION
X	42878-1001	8 POS. BODY	10	.062	NO	YES
	42878-1003	↑	↑	.062	NO	NO
X	42878-1025			.125	NO	YES
X	42878-1027			↑	NO	NO
X	42878-1037			↓	YES	YES
X	42878-1039	8 POS. BODY	10	.125	YES	NO

**CHARACTERISTICS LEGEND**

EXTERNAL CONNECTOR BODY DIMENSIONS:  
AVAILABLE IN 4, 6, AND 8 POSITION BODY

NUMBER OF CONTACT POSITIONS:  
CONNECTOR SIZE 4 ACCOMMODATES 2, OR 4 TERMINALS,  
CONNECTOR SIZE 6 ACCOMMODATES 2, 4, OR 6 TERMINALS,  
CONNECTOR SIZE 8 ACCOMMODATES 2, 4, 6, 8, OR 10 TERMINALS

POLARIZATION OPTION: (AVAILABLE ON CONNECTOR SIZE 8 ONLY)  
"NO"= WITHOUT KEYING SLOT  
"YES"= WITH KEYING SLOT

MOUNTING EARS OPTION:  
"YES"= PART WITH MOUNTING EARS  
"NO"= PART WITHOUT MOUNTING EARS

(SEE SHEET 3 FOR PART DESCRIPTIONS AND DIMENSIONS)

ACTIVE: 428789370 EC NO: UCP2007-1854 DRAWN: AFENG02_2017/02/23 CHKD: APPR: KLANG_2017/02/27 REV:	QUALITY SYMBOLS	GENERAL TOLERANCES (UNLESS SPECIFIED)	SCALE	DESIGN UNITS	THIRD ANGLE PROJECTION	REVISE ON CAD ONLY	
	0 0	4 PLACES ± .010 3 PLACES ± .015 2 PLACES ± .020 1 PLACE ± .030 ANGULAR ± 1/2°	DIMENSION STYLE INCH IN/MM	DRAWN BY: BAP DATE: 1992/04/09 CHECKED BY: BAP DATE: 1992/04/09 APPROVED BY: RAS DATE: 1992/04/09	TITLE ASSEMBLY, VERTICAL LOW PROFILE MODULAR JACKS (CONNECTOR SIZE 8) MOLEX INCORPORATED	MATERIAL NO. SDA-42878-**** DOCUMENT NO.	SHEET NO. 5 OF 5
	DRAFT WHERE APPLICABLE MUST REMAIN WITHIN DIMENSIONS		THIS DRAWING CONTAINS INFORMATION THAT IS PROPRIETARY TO MOLEX INCORPORATED AND SHOULD NOT BE USED WITHOUT WRITTEN PERMISSION				