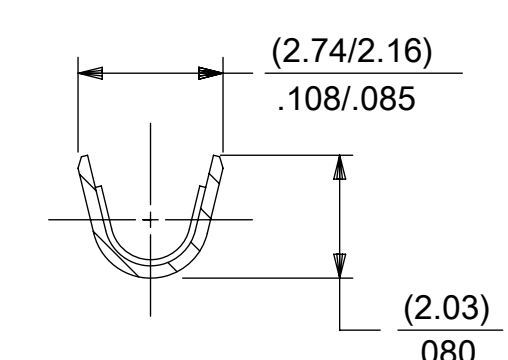
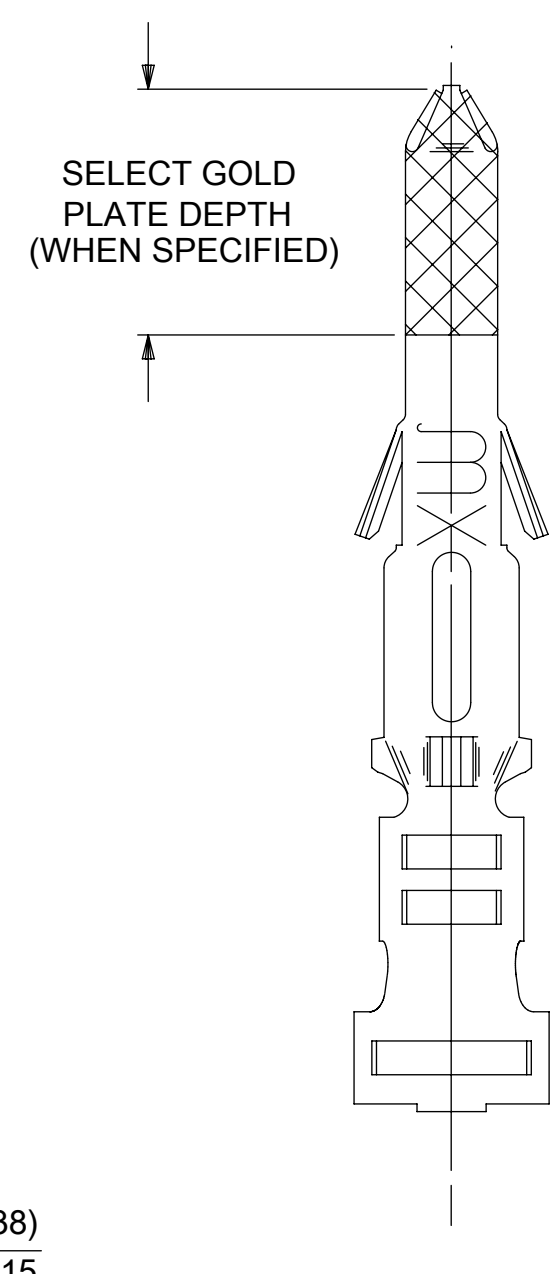
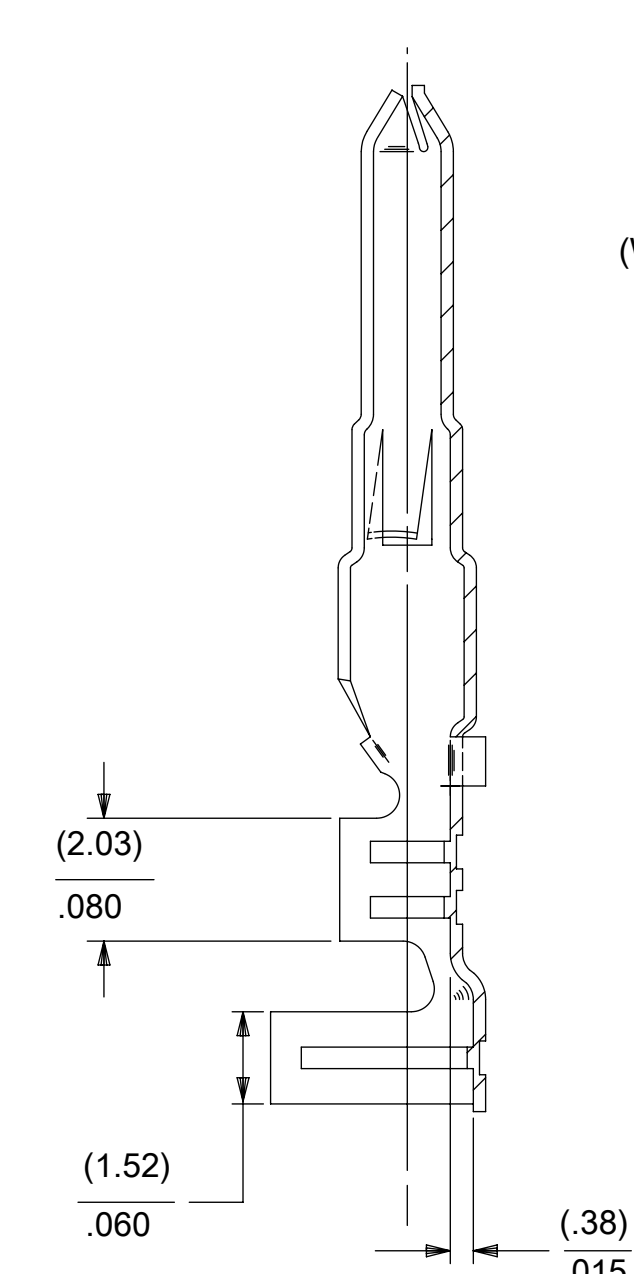
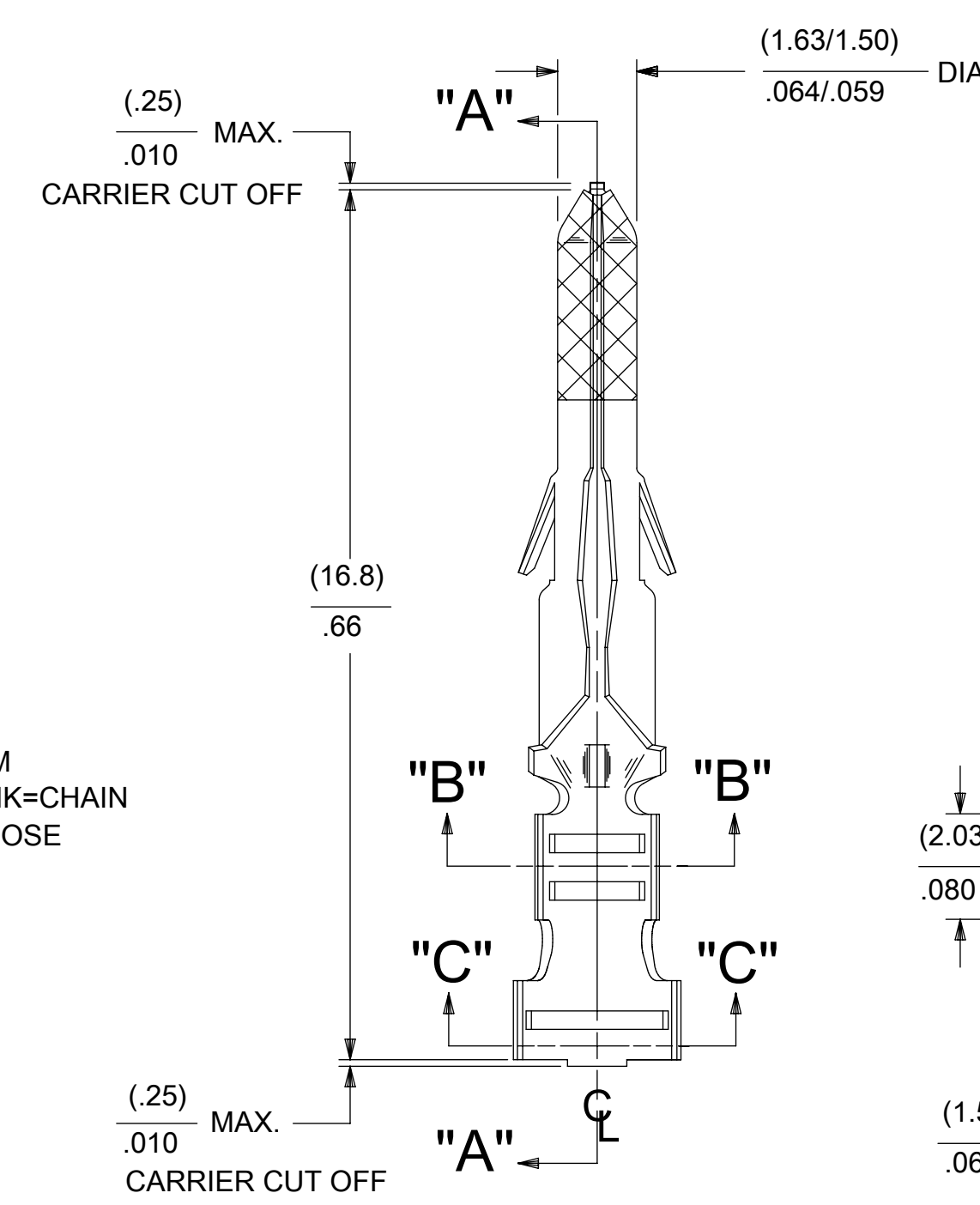
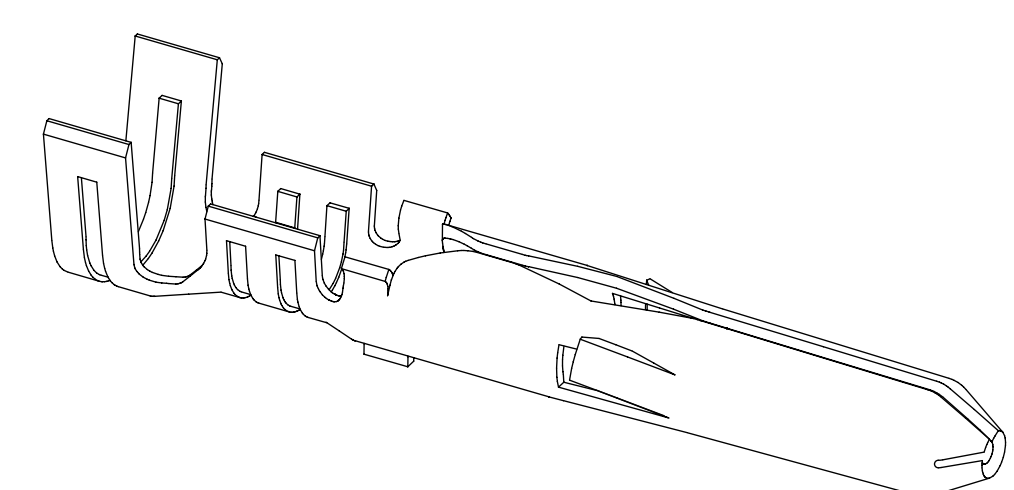
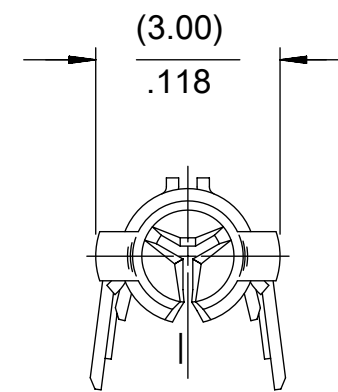
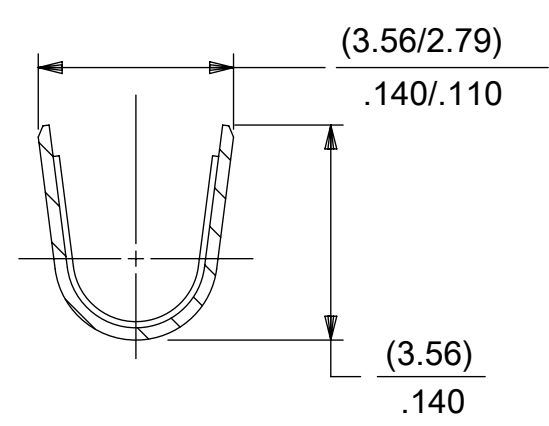


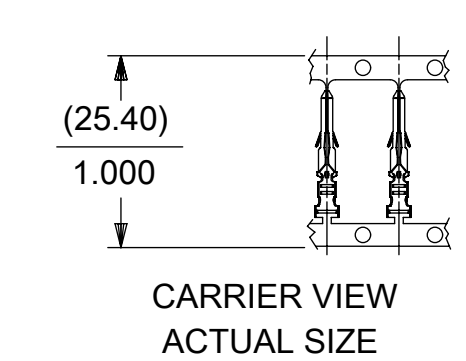
PART NO.	ENG. NO.
02-06-2101	1560-(P901)
02-06-2103	1560-(P901)L
02-06-6101	1560-(561)
02-06-6102	1560-(561)L
02-06-6118	1560-(228)
02-06-6119	1560-(228)L
02-06-6100	1560-(550)
02-06-6103	1560-(550)L



SECT. "B-B"
SCALE:10X



SECT. "C-C"
SCALE:10X



CARRIER VIEW
ACTUAL SIZE

LEGEND

1560-(****)*

P=PREPLATE
BLANK=POSTPLATE
FINISH CODE

FORM
BLANK=CHAIN
L=LOOSE

NOTES:

- MATERIAL: BRASS
- FINISHES:
 - 901 HOT TIN DIP (.00051)/.000020 MIN.
 - 228 SELECT GOLD PLATE (.00075)/.000030 MIN. IN CONTACT AREA, SELECT TIN (.00250)/.000100 MIN. IN CRIMP AREA OVER (.00125)/.000050 MIN. NICKEL OVERALL.
 - 231 SELECT GOLD PLATE (.00125)/.000050 MIN. IN CONTACT AREA, SELECT TIN (.00250)/.000100 MIN. IN CRIMP AREA OVER (.00125)/.000050 MIN. NICKEL OVERALL.
 - 561 SELECT GOLD PLATE (.00076)/.000030 MIN. IN CONTACT AREA, OVER (.00127)/.000050 MIN. NICKEL OVERALL.
 - 591 SELECT GOLD PLATE (.00127)/.000050 MIN. IN CONTACT AREA, OVER (.00127)/.000050 MIN. NICKEL OVERALL WITH (.000025)/.000010 MAX. GOLD FLASH OVERALL.
 - 550 SELECT GOLD PLATE (.00038)/.000015 MIN. IN CONTACT AREA, OVER (.00076)/.000030 MIN. NICKEL OVERALL WITH (.000025)/.000010 MAX. GOLD FLASH OVERALL.
- PRODUCT SPECIFICATION: PS-02-06
- PACKAGING INFORMATION:
 - LOOSE TERMINALS: PK-1190-003
 - CHAIN TERMINALS: 15600000-PK
- TERMINAL FOR USE WITH (1.57)/.062 DIA. SERIES HOUSINGS AND WILL ACCEPT 18 THRU 24 AWG WIRE.

THIS DRAWING CONTAINS INFORMATION THAT IS PROPRIETARY TO MOLEX ELECTRONIC TECHNOLOGIES, LLC AND SHOULD NOT BE USED WITHOUT WRITTEN PERMISSION									
DIMENSION UNITS		SCALE		CURRENT REV DESC: OBSOLETE PART NUMBER AS PER PCN#509988				molex	
MM/IN		8:1							
GENERAL TOLERANCES (UNLESS SPECIFIED)				EC NO: 704776		2022/03/24		CRIMP TERMINAL, MALE .062 DIA. FOR 18-24 AWG WIRE	
4 PLACES		±		DRWN: SUGEEB		2022/05/24		PRODUCT CUSTOMER DRAWING	
3 PLACES		± 0.01		CHK'D: GGA		2022/05/24		DOCUMENT NUMBER	
2 PLACES		± 0.25 ± 0.014		APPR: GGA		2022/05/24		SD-1560-X	
1 PLACE		± 0.35 ±		INITIAL REVISION:				DOC TYPE DOC PART REVISION	
0 PLACES		±		DRWN: GEP		1987/08/19		PSD 001 AP2	
ANGULAR TOL		± 0.5 °		APPR: RAS		1987/08/19		MATERIAL NUMBER	
DRAFT WHERE APPLICABLE MUST REMAIN WITHIN DIMENSIONS				THIRD ANGLE PROJECTION		DRAWING		CUSTOMER	
				C-SIZE		SERIES		SHEET NUMBER	
						1560		SEE TABLE GENERAL MARKET 1 OF 1	

DOCUMENT STATUS	P1	RELEASE DATE	2022/05/24	10:34:32
-----------------	----	--------------	------------	----------