

DO NOT SCALE FROM THIS PRINT

DESIGNED & DIMENSIONED IN MILLIMETERS [INCHES]

SMB7H-J-P-X-ST-EM1

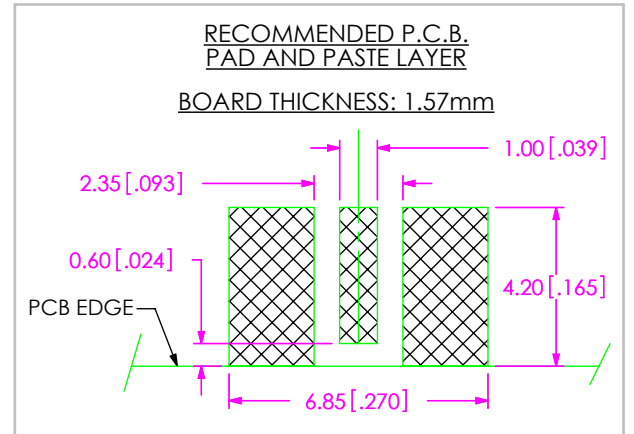
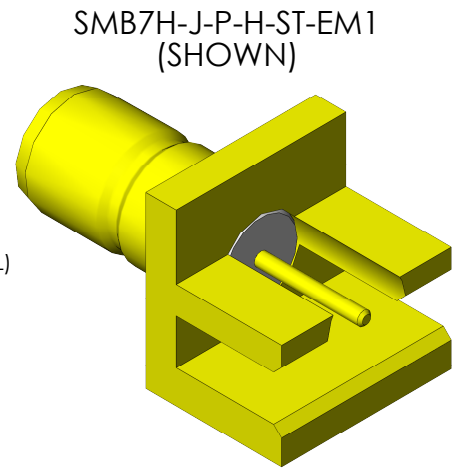
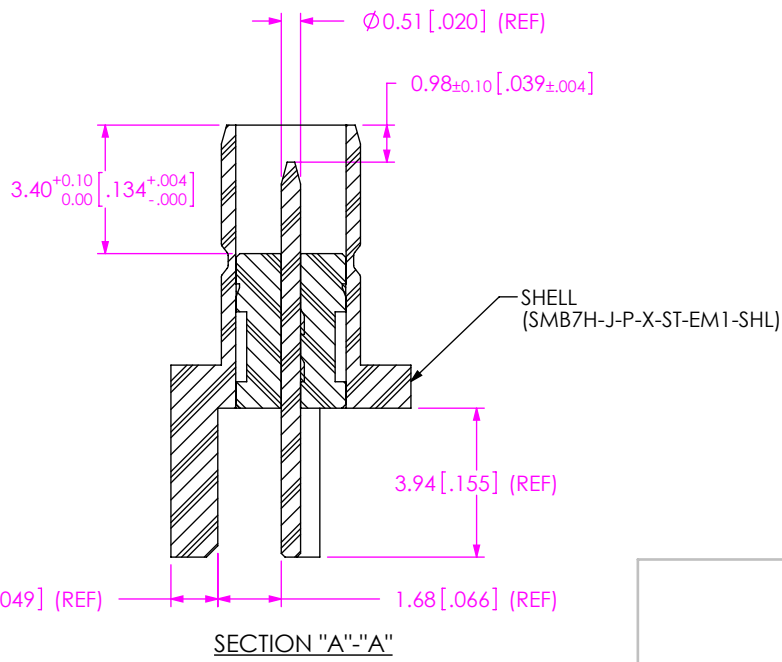
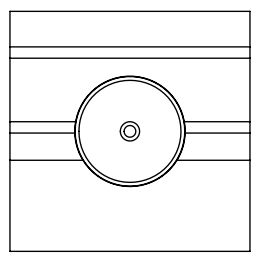
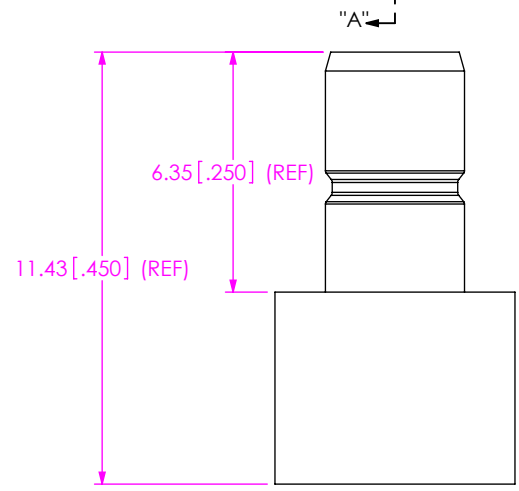
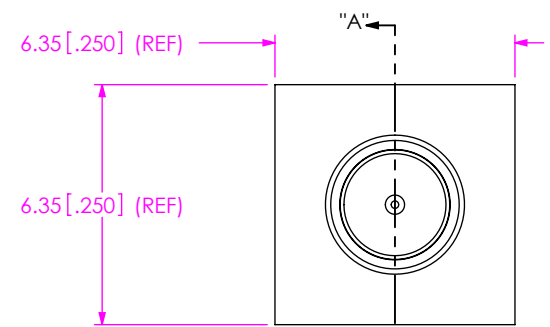
GENDER
-J: JACK

TYPE
-P: PCB

TERMINATION
-EM1: EDGE MOUNT

ORIENTATION
-ST: STRAIGHT

PLATING
-H: HEAVY GOLD (SEE NOTE 6 & 7)
(SMB7-PIN-002-H)
(SMB7H-J-P-F-ST-EM1-SHL)



- NOTES:
1. REPRESENTS A CRITICAL DIMENSION.
 2. PUSHOUT FORCE FOR INSULATOR: 35.58 N [8.0 LB] MIN. MATING DIRECTION ONLY.
 3. PUSHOUT FORCE FOR CENTER CONTACT: 17.79 N [4.0 LB] MIN.
 4. PARTS TO BE PACKAGED IN TRAYS; IF QUANTITY IS LESS THAN HALF TRAY, PARTS TO BE PACKAGED IN COHESIVE FOAM.
 5. RoHS COMPLIANT.
 6. COMPONENT PLATING DESIGNATIONS:
-H: 0.00076 [0.000030] (MIN) GOLD OVER 0.00127 [0.000050] (MIN) NICKEL.
-F: 0.00008 [0.000003] (MIN) GOLD OVER 0.00127 [0.000050] (MIN) NICKEL.
 7. ASSEMBLY PLATING DESIGNATIONS:
-H: (CENTER CONTACT)-H:
(OUTER CONTACT)-F:

F:\DWG\MISC\MKTG\SMB7H-J-P-X-ST-EM1-MKT.SLDDRW

UNLESS OTHERWISE SPECIFIED, DIMENSIONS ARE IN MILLIMETERS.

TOLERANCES ARE:

DECIMALS	ANGLES
.X: ±0.3 [0.1]	2°
.XX: ±0.13 [0.05]	
.XXX: ±0.051 [0.020]	

PROPRIETARY NOTE

THIS DOCUMENT CONTAINS INFORMATION CONFIDENTIAL AND PROPRIETARY TO SAMTEC, INC. AND SHALL NOT BE REPRODUCED OR TRANSFERRED TO OTHER DOCUMENTS OR DISCLOSED TO OTHERS OR USED FOR ANY PURPOSE OTHER THAN THAT WHICH IT WAS OBTAINED WITHOUT THE EXPRESSED WRITTEN CONSENT OF SAMTEC, INC.

520 PARK EAST BLVD, NEW ALBANY, IN 47150
PHONE: 812-944-6733 FAX: 812-948-5047
e-Mail: info@SAMTEC.com code: 55322

MATERIAL: DO NOT SCALE DRAWING SHEET SCALE: 5:1
SEE TABLE 1

DESCRIPTION:
SMB7 STRAIGHT EDGE MOUNT JACK- 75 OHM

DWG. NO.
SMB7H-J-P-X-ST-EM1

BY: G. HERMAN 03/25/2008 SHEET 1 OF 1