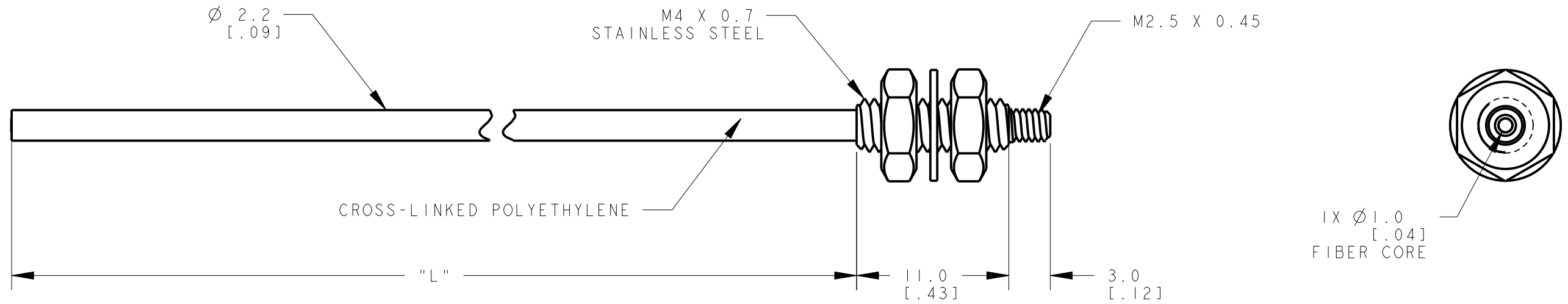


MODEL NO.	"L"	P/N
PIT430UHTI	9144 [360]	79540
PIT415UHTI	4572 [180]	42805
PIT46UHTI	2000 [79]	42804



A ECO #15322 TEMP. WAS 125C/257F 3-19-07 J. STENGER

This drawing is the property of BANNER ENGINEERING CORP. Any use or reproduction, in any form, without prior written permission of Banner is prohibited. © 2015 Banner Engineering Corp.

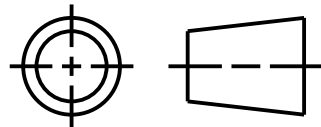
**BANNER** BANNER ENGINEERING CORP.  
www.bannerengineering.com

TITLE  
**PIT4 SERIES UNTERMINATED HIGH TEMP**

SIZE B DRAWING NO. **188738** REV. **A**

SCALE 3:1 SHEET 1 OF 1

THIRD ANGLE PROJECTION



- NOTES:  
 1. ALL DIMENSIONS ARE MILLIMETERS [INCHES] UNLESS OTHERWISE NOTED.  
 2. REFER TO "www.bannerengineering.com" FOR ADDITIONAL DATA AND SPECIFICATIONS.