



PCA85233

Automotive 80 × 4 LCD driver for low multiplex rates

Rev. 5 — 12 November 2018

Product data sheet

1. General description

The PCA85233 is a peripheral device which interfaces to almost any Liquid Crystal Display (LCD)¹ with low multiplex rates. It generates the drive signals for any static or multiplexed LCD containing up to four backplanes and up to 80 segments and can easily be cascaded for larger LCD applications. The PCA85233 is compatible with most microcontrollers and communicates via the two-line bidirectional I²C-bus. Communication overheads are minimized by a display RAM with auto-incremental addressing, by hardware subaddressing, and by display memory switching (static and duplex drive modes).

For a selection of NXP LCD segment drivers, see [Table 28 on page 46](#).

2. Features and benefits

- AEC-Q100 compliant for automotive applications
- Single-chip LCD controller and driver
- Selectable backplane drive configuration: static, 2, 3, or 4 backplane multiplexing
- Selectable display bias configuration: static, 1/2, or 1/3
- Selectable frame frequency: 150 Hz or 220 Hz
- Internal LCD bias generation with voltage-follower buffers
- 80 segment drives:
 - ◆ Up to 40 7-segment alphanumeric characters
 - ◆ Up to 20 14-segment alphanumeric characters
 - ◆ Any graphics of up to 320 segments/elements
- 80 × 4 bit RAM for display data storage
- Display memory bank switching in static and duplex drive modes
- Versatile blinking modes
- Independent supplies possible for LCD and logic voltages
- Wide power supply range: from 1.8 V to 5.5 V
- Wide LCD supply range:
 - ◆ From 2.5 V for low-threshold LCDs
 - ◆ Up to 8.0 V for guest-host LCDs and high-threshold twisted nematic LCDs
- Low power consumption
- 400 kHz I²C-bus interface
- Extended temperature range up to 105 °C
- Backside laser marking
- May be cascaded for large LCD applications (up to 2560 segments possible)

1. The definition of the abbreviations and acronyms used in this data sheet can be found in [Section 20](#).



- No external components needed
- Compatible with Chip-On-Glass (COG) technology

3. Ordering information

Table 1. Ordering information

Type number	Package		
	Name	Description	Version
PCA85233UG	bare die	110 bumps	PCA85233

3.1 Ordering options

Table 2. Ordering options

Product type number	Orderable part number	Sales item (12NC)	Delivery form	IC revision
PCA85233UG/2DA/Q1	PCA85233UG/2DA/Q1Z	935302508033	chip with hard bumps in tray ^[1]	1

[1] Bump hardness see [Table 25](#).

4. Marking

Table 3. Marking codes

Type number	Marking code
PCA85233UG/2DA/Q1	on the rear side of the die Line A: PCA85233UG Line B: XXXXXX.XX WW ^[1]

[1] The rear side marking has the following meaning:
XXXXXX.XX — Production and lot information
WW — wafer number

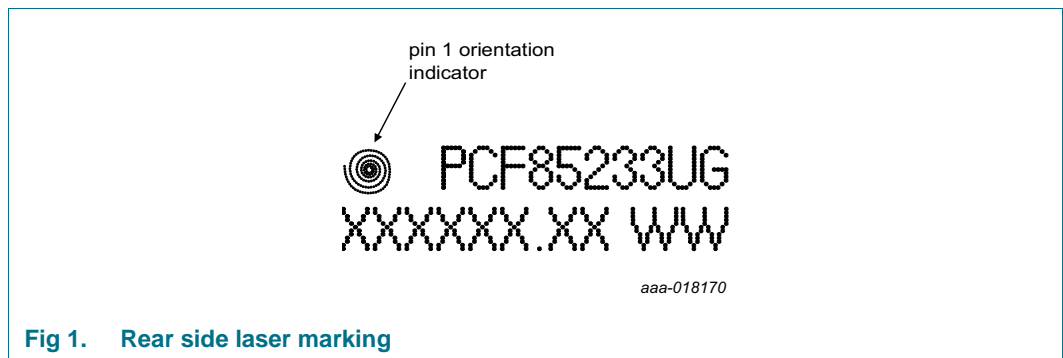


Fig 1. Rear side laser marking

5. Block diagram

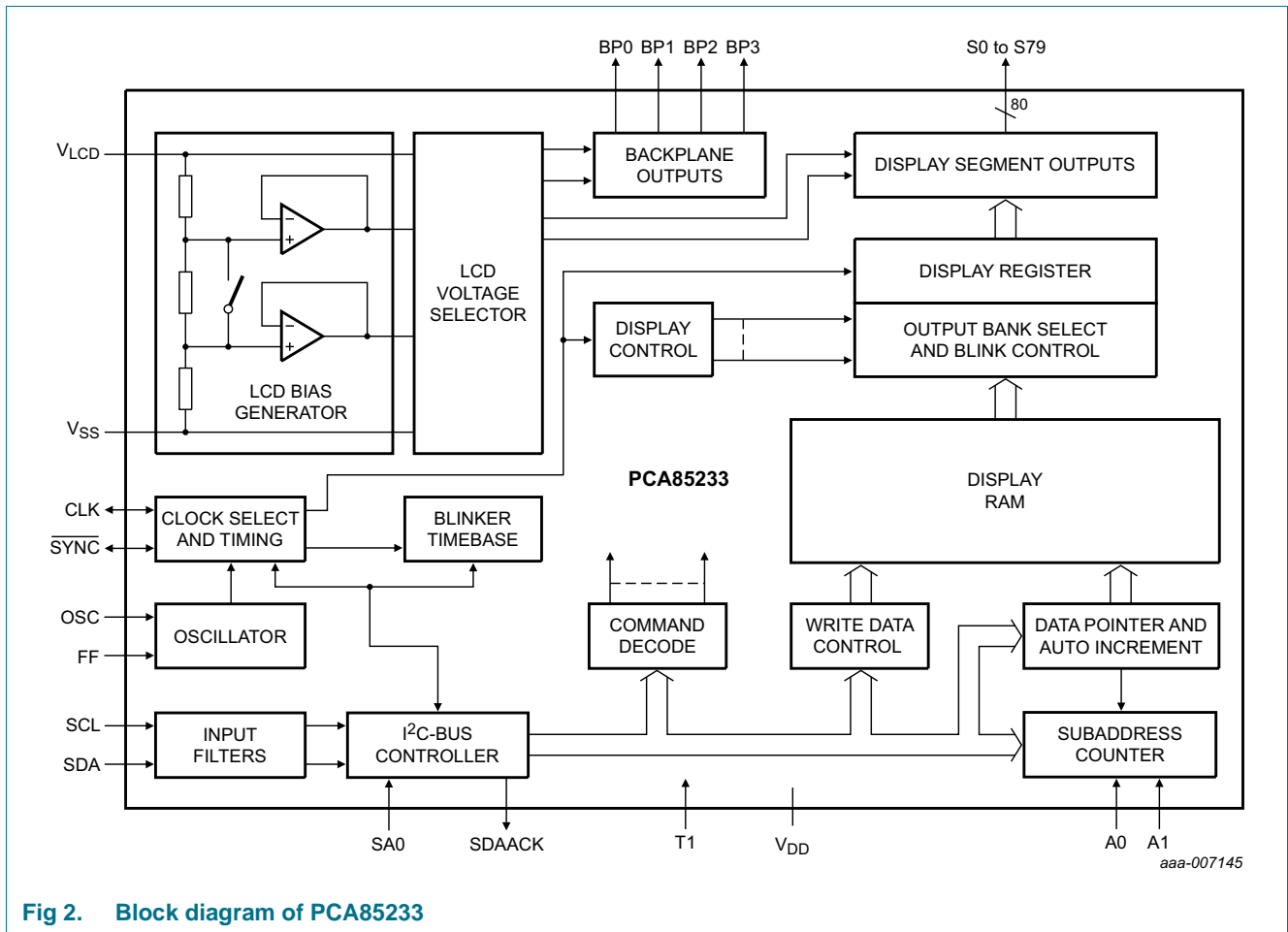
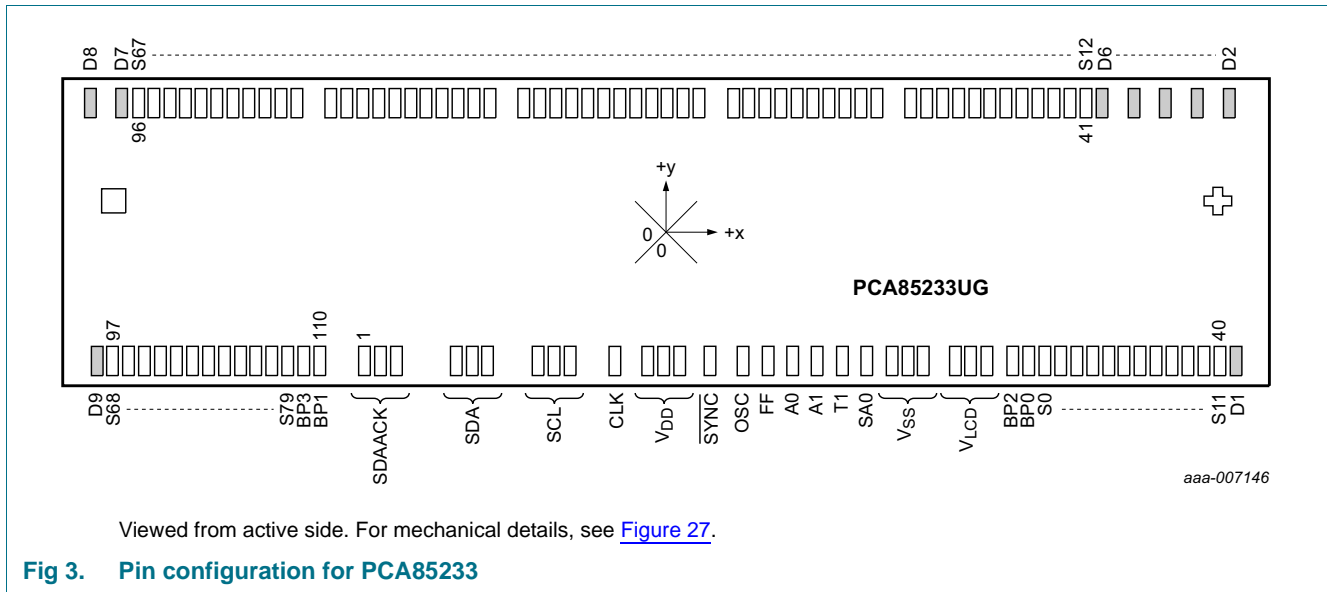


Fig 2. Block diagram of PCA85233

6. Pinning information

6.1 Pinning



6.2 Pin description

Table 4. Pin description overview

Input or input/output pins must always be at a defined level (V_{SS} or V_{DD}) unless otherwise specified.

Symbol	Pin	Description
SDAACK	1 to 3	I ² C-bus acknowledge output
SDA	4 to 6	I ² C-bus serial data input
SCL	7 to 9	I ² C-bus serial clock input
CLK	10	clock input and output
V_{DD}	11 to 13	supply voltage
$\overline{\text{SYNC}}$	14	cascade synchronization input or output; if not used it must be left open
OSC	15	oscillator select
FF	16	frame frequency select
A0, A1	17, 18	subaddress input
T1	19	dedicated testing pin; to be tied to V_{SS} in application mode
SA0	20	I ² C-bus slave address input
V_{SS} ^[1]	21 to 23	ground supply voltage
V_{LCD}	24 to 26	LCD supply voltage
BP2, BP0, BP3, and BP1	27, 28, 109 and 110	LCD backplane output
S0 to S79	29 to 108	LCD segment output
D1 to D9	-	dummy pins

[1] The substrate (rear side of the die) is at V_{SS} potential and should be electrically isolated.

7. Functional description

7.1 Commands of PCA85233

The command decoder identifies command bytes that arrive on the I²C-bus. The commands available to the PCA85233 are defined in [Table 5](#).

Table 5. Definition of commands

Command	Operation code								Reference
	7	6	5	4	3	2	1	0	
mode-set	1	1	0	0	E	B	M[1:0]		Table 6
load-data-pointer	0	P[6:0]							Table 7
device-select	1	1	1	0	0	0	A[1:0]		Table 8
bank-select	1	1	1	1	1	0	I	O	Table 9
blink-select	1	1	1	1	0	AB	BF[1:0]		Table 10

Table 6. Mode-set command bit description

Bit	Symbol	Value	Description
7 to 4	-	1100	fixed value
3	E		display status ^[1]
		0	disabled (blank) ^[2]
		1	enabled
2	B		LCD bias configuration ^[3]
		0	1/3 bias
		1	1/2 bias
1 to 0	M[1:0]		LCD drive mode selection
		01	static; 1 backplane
		10	1:2 multiplex; 2 backplanes
		11	1:3 multiplex; 3 backplanes
		00	1:4 multiplex; 4 backplanes

[1] The possibility to disable the display allows implementation of blinking under external control.

[2] The display is disabled by setting all backplane and segment outputs to V_{LCD}.

[3] Not applicable for static drive mode.

Table 7. Load-data-pointer command bit description

See [Section 7.3.1](#).

Bit	Symbol	Value	Description
7	-	0	fixed value
6 to 0	P[6:0]	0000000 to 1001111	data pointer 7-bit binary value of 0 to 79, transferred to the data pointer to define one of 80 display RAM addresses

Table 8. Device-select command bit description

See [Section 7.3.2](#).

Bit	Symbol	Value	Description
7 to 2	-	111000	fixed value
1 to 0	A[1:0]	00 to 11	device selection 2-bit binary value of 0 to 3, transferred to the subaddress counter to define one of 4 hardware subaddresses

Table 9. Bank-select command bit description^[1]

See [Section 7.3.5](#) and [Section 7.3.6](#).

Bit	Symbol	Value	Description	
			Static	1:2 multiplex
7 to 2	-	111110	fixed value	
1	I		input bank selection: storage of arriving display data	
		0	RAM row 0	RAM rows 0 and 1
		1	RAM row 2	RAM rows 2 and 3
0	O		output bank selection: retrieval of LCD display data	
		0	RAM row 0	RAM rows 0 and 1
		1	RAM row 2	RAM rows 2 and 3

[1] The bank-select command has no effect in 1:3 or 1:4 multiplex drive modes.

Table 10. Blink-select command bit description

See [Section 7.2.3](#).

Bit	Symbol	Value	Description
7 to 3	-	11110	fixed value
2	AB		blink mode selection^[1]
		0	normal blinking
		1	blinking by alternating display RAM banks
1 to 0	BF[1:0]		blink frequency selection^[2]
		00	off
		01	1
		10	2
		11	3

[1] Normal blinking can only be selected in multiplex drive mode 1:3 or 1:4.

[2] For the blink frequencies, see [Table 12](#).

7.2 Clock and frame frequency

7.2.1 Oscillator

The internal logic and the LCD drive signals of the PCA85233 are timed by a frequency f_{clk} which either is derived from the built-in oscillator frequency f_{osc} :

$$f_{clk} = \frac{f_{osc}}{64} \tag{1}$$

or equals an external clock frequency $f_{clk(ext)}$:

$$f_{clk} = f_{clk(ext)} \quad (2)$$

7.2.1.1 Internal clock

The internal oscillator is enabled by connecting pin OSC to V_{SS} . In this case the output from pin CLK provides the clock signal for any cascaded PCA85233 in the system.

7.2.1.2 External clock

Connecting pin OSC to V_{DD} enables an external clock source. Pin CLK then becomes the external clock input.

Remark: A clock signal must always be supplied to the device; removing the clock may freeze the LCD in a DC state, which is not suitable for the liquid crystal.

7.2.2 Frame frequency

The clock frequency f_{clk} determines the LCD frame frequency f_{fr} and is calculated as follows:

$$f_{fr} = \frac{f_{clk}}{24} \quad (3)$$

The internal clock frequency f_{clk} can be selected using pin FF. As a result 2 frame frequencies are available: 150 Hz or 220 Hz (typical), see [Table 11](#).

Table 11. LCD frame frequencies

Pin FF tied to ^[1]	Typical clock frequency (Hz)	LCD frame frequency (Hz)
V_{DD}	3600	150
V_{SS}	5280	220

[1] FF has no effect when an external clock is used but must not be left floating.

The timing of the PCA85233 organizes the internal data flow of the device. This includes the transfer of display data from the display RAM to the display segment outputs. In cascaded applications, the synchronization signal (\overline{SYNC}) maintains the correct timing relationship between all the PCA85233 in the system.

7.2.3 Blinking

The display blink capabilities of the PCA85233 are very versatile. The whole display can blink at frequencies selected by the blink-select command (see [Table 10](#)). The blink frequencies are derived from the clock frequency. The ratios between the clock and blink frequencies depend on the blink mode selected (see [Table 12](#)).

Table 12. Blink frequencies

Blink mode	Operating mode ratio	Blink frequency with respect to f_{clk} (typical)		Unit
		$f_{clk} = 3.600 \text{ kHz}$	$f_{clk} = 5.280 \text{ kHz}$	
off	-	blinking off	blinking off	Hz
1	$\frac{f_{clk}}{768}$	4.7	6.9	Hz
2	$\frac{f_{clk}}{1536}$	2.3	3.4	Hz
3	$\frac{f_{clk}}{3072}$	1.2	1.7	Hz

An additional feature is for an arbitrary selection of LCD segments to blink. This applies to the static and 1:2 multiplex drive modes and can be implemented without any communication overheads. By means of the output bank selector, the displayed RAM banks are exchanged with alternate RAM banks at the blink frequency. This mode can also be specified by the blink-select command.

In the 1:3 and 1:4 multiplex modes, where no alternate RAM bank is available, groups of LCD segments can blink by selectively changing the display RAM data at fixed time intervals.

If the entire display can blink at a frequency other than the typical blink frequency. This can be effectively performed by resetting and setting the display enable bit E at the required rate using the mode-set command (see [Table 6](#)).

7.3 Display RAM

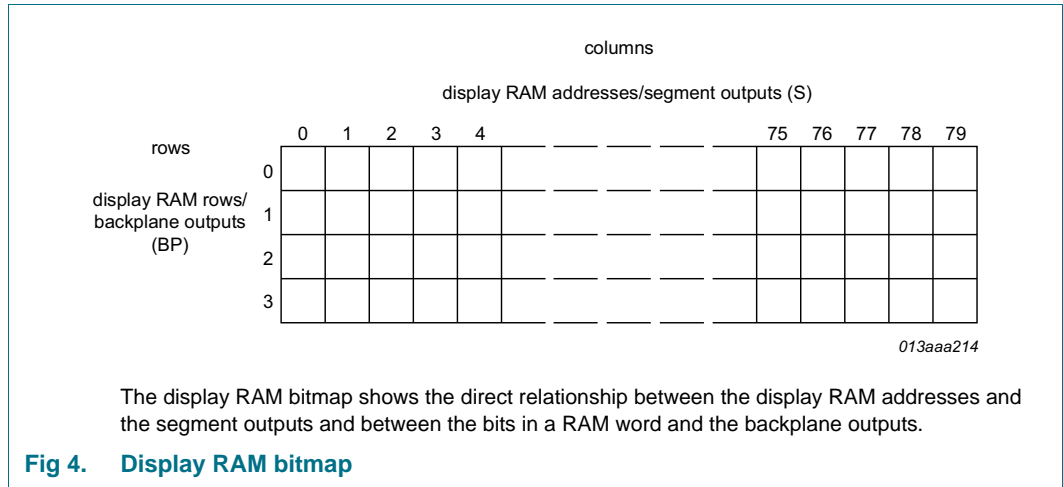
The display RAM is a static 80 × 4 bit RAM which stores LCD data.

There is a one-to-one correspondence between

- the bits in the RAM bitmap and the LCD segments/elements
- the RAM columns and the segment outputs
- the RAM rows and the backplane outputs.

A logic 1 in the RAM bitmap indicates the on-state of the corresponding LCD element; similarly, a logic 0 indicates the off-state.

The display RAM bit map, [Figure 4](#), shows rows 0 to 3 which correspond with the backplane outputs BP0 to BP3, and columns 0 to 79 which correspond with the segment outputs S0 to S79. In multiplexed LCD applications the segment data of the first, second, third and fourth row of the display RAM are time-multiplexed with BP0, BP1, BP2, and BP3 respectively.



When display data is transmitted to the PCA85233, the received display bytes are stored in the display RAM in accordance with the selected LCD drive mode. The data is stored as it arrives and depending on the current multiplex drive mode the bits are stored singularly, in pairs, triples or quadruples. To illustrate the filling order, an example of a 7-segment display showing all drive modes is given in [Figure 5](#); the RAM filling organization depicted applies equally to other LCD types.

The following applies to [Figure 5](#):

- In static drive mode the eight transmitted data bits are placed into row 0 as one byte.
- In 1:2 multiplex drive mode the eight transmitted data bits are placed in pairs into row 0 and 1 as four successive 2-bit RAM words.
- In 1:3 multiplex drive mode the eight bits are placed in triples into row 0, 1, and 2 as three successive 3-bit RAM words, with bit 3 of the third address left unchanged. It is not recommended to use this bit in a display because of the difficult addressing. This last bit may, if necessary, be controlled by an additional transfer to this address, but care should be taken to avoid overwriting adjacent data because always full bytes are transmitted (see [Section 7.3.3](#)).
- In 1:4 multiplex drive mode, the eight transmitted data bits are placed in quadruples into row 0, 1, 2, and 3 as two successive 4-bit RAM words.

drive mode	LCD segments	LCD backplanes	display RAM filling order	transmitted display byte																																																									
static			<p>columns display RAM address/segment outputs (s) byte1</p> <table border="1"> <tr> <td></td> <td>n</td> <td>n + 1</td> <td>n + 2</td> <td>n + 3</td> <td>n + 4</td> <td>n + 5</td> <td>n + 6</td> <td>n + 7</td> </tr> <tr> <td>rows display RAM</td> <td>0</td> <td>c</td> <td>b</td> <td>a</td> <td>f</td> <td>g</td> <td>e</td> <td>d</td> <td>DP</td> </tr> <tr> <td>rows/backplane</td> <td>1</td> <td>x</td> <td>x</td> <td>x</td> <td>x</td> <td>x</td> <td>x</td> <td>x</td> <td>x</td> </tr> <tr> <td>outputs (BP)</td> <td>2</td> <td>x</td> <td>x</td> <td>x</td> <td>x</td> <td>x</td> <td>x</td> <td>x</td> <td>x</td> </tr> <tr> <td></td> <td>3</td> <td>x</td> <td>x</td> <td>x</td> <td>x</td> <td>x</td> <td>x</td> <td>x</td> <td>x</td> </tr> </table>		n	n + 1	n + 2	n + 3	n + 4	n + 5	n + 6	n + 7	rows display RAM	0	c	b	a	f	g	e	d	DP	rows/backplane	1	x	x	x	x	x	x	x	x	outputs (BP)	2	x	x	x	x	x	x	x	x		3	x	x	x	x	x	x	x	x	<p>MSB</p> <p>LSB</p> <table border="1"> <tr> <td>c</td> <td>b</td> <td>a</td> <td>f</td> <td>g</td> <td>e</td> <td>d</td> <td>DP</td> </tr> </table>	c	b	a	f	g	e	d	DP
	n	n + 1	n + 2	n + 3	n + 4	n + 5	n + 6	n + 7																																																					
rows display RAM	0	c	b	a	f	g	e	d	DP																																																				
rows/backplane	1	x	x	x	x	x	x	x	x																																																				
outputs (BP)	2	x	x	x	x	x	x	x	x																																																				
	3	x	x	x	x	x	x	x	x																																																				
c	b	a	f	g	e	d	DP																																																						
1:2 multiplex			<p>columns display RAM address/segment outputs (s) byte1</p> <table border="1"> <tr> <td></td> <td>n</td> <td>n + 1</td> <td>n + 2</td> <td>n + 3</td> </tr> <tr> <td>rows display RAM</td> <td>0</td> <td>a</td> <td>f</td> <td>e</td> <td>d</td> </tr> <tr> <td>rows/backplane</td> <td>1</td> <td>b</td> <td>g</td> <td>c</td> <td>DP</td> </tr> <tr> <td>outputs (BP)</td> <td>2</td> <td>x</td> <td>x</td> <td>x</td> <td>x</td> </tr> <tr> <td></td> <td>3</td> <td>x</td> <td>x</td> <td>x</td> <td>x</td> </tr> </table>		n	n + 1	n + 2	n + 3	rows display RAM	0	a	f	e	d	rows/backplane	1	b	g	c	DP	outputs (BP)	2	x	x	x	x		3	x	x	x	x	<p>MSB</p> <p>LSB</p> <table border="1"> <tr> <td>a</td> <td>b</td> <td>f</td> <td>g</td> <td>e</td> <td>c</td> <td>d</td> <td>DP</td> </tr> </table>	a	b	f	g	e	c	d	DP																				
	n	n + 1	n + 2	n + 3																																																									
rows display RAM	0	a	f	e	d																																																								
rows/backplane	1	b	g	c	DP																																																								
outputs (BP)	2	x	x	x	x																																																								
	3	x	x	x	x																																																								
a	b	f	g	e	c	d	DP																																																						
1:3 multiplex			<p>columns display RAM address/segment outputs (s) byte1</p> <table border="1"> <tr> <td></td> <td>n</td> <td>n + 1</td> <td>n + 2</td> </tr> <tr> <td>rows display RAM</td> <td>0</td> <td>b</td> <td>a</td> <td>f</td> </tr> <tr> <td>rows/backplane</td> <td>1</td> <td>DP</td> <td>d</td> <td>e</td> </tr> <tr> <td>outputs (BP)</td> <td>2</td> <td>c</td> <td>g</td> <td>x</td> </tr> <tr> <td></td> <td>3</td> <td>x</td> <td>x</td> <td>x</td> </tr> </table>		n	n + 1	n + 2	rows display RAM	0	b	a	f	rows/backplane	1	DP	d	e	outputs (BP)	2	c	g	x		3	x	x	x	<p>MSB</p> <p>LSB</p> <table border="1"> <tr> <td>b</td> <td>DP</td> <td>c</td> <td>a</td> <td>d</td> <td>g</td> <td>f</td> <td>e</td> </tr> </table>	b	DP	c	a	d	g	f	e																									
	n	n + 1	n + 2																																																										
rows display RAM	0	b	a	f																																																									
rows/backplane	1	DP	d	e																																																									
outputs (BP)	2	c	g	x																																																									
	3	x	x	x																																																									
b	DP	c	a	d	g	f	e																																																						
1:4 multiplex			<p>columns display RAM address/segment outputs (s) byte1</p> <table border="1"> <tr> <td></td> <td>n</td> <td>n + 1</td> </tr> <tr> <td>rows display RAM</td> <td>0</td> <td>a</td> <td>f</td> </tr> <tr> <td>rows/backplane</td> <td>1</td> <td>c</td> <td>e</td> </tr> <tr> <td>outputs (BP)</td> <td>2</td> <td>b</td> <td>g</td> </tr> <tr> <td></td> <td>3</td> <td>DP</td> <td>d</td> </tr> </table>		n	n + 1	rows display RAM	0	a	f	rows/backplane	1	c	e	outputs (BP)	2	b	g		3	DP	d	<p>MSB</p> <p>LSB</p> <table border="1"> <tr> <td>a</td> <td>c</td> <td>b</td> <td>DP</td> <td>f</td> <td>e</td> <td>g</td> <td>d</td> </tr> </table>	a	c	b	DP	f	e	g	d																														
	n	n + 1																																																											
rows display RAM	0	a	f																																																										
rows/backplane	1	c	e																																																										
outputs (BP)	2	b	g																																																										
	3	DP	d																																																										
a	c	b	DP	f	e	g	d																																																						

001aa646

x = data bit unchanged

Fig 5. Relationships between LCD layout, drive mode, display RAM filling order, and display data transmitted over the I²C-bus

7.3.1 Data pointer

The addressing mechanism for the display RAM is realized using a data pointer. This allows the loading of an individual display data byte, or a series of display data bytes, into any location of the display RAM. The sequence commences with the initialization of the data pointer by the load-data-pointer command (see [Table 7](#)). Following this command, an arriving data byte is stored at the display RAM address indicated by the data pointer. The filling order is shown in [Figure 5](#). After each byte is stored, the content of the data pointer is automatically incremented by a value dependent on the selected LCD drive mode:

- In static drive mode by eight
- In 1:2 multiplex drive mode by four
- In 1:3 multiplex drive mode by three
- In 1:4 multiplex drive mode by two

If an I²C-bus data access is terminated early then the state of the data pointer is unknown. Consequently, the data pointer must be rewritten prior to further RAM accesses.

7.3.2 Subaddress counter

The storage of display data is determined by the content of the subaddress counter. Storage is allowed only when the content of the subaddress counter match with the hardware subaddress applied to A0 and A1. The subaddress counter value is defined by the device-select command (see [Table 8](#)). If the content of the subaddress counter and the hardware subaddress do not match, then data storage is inhibited but the data pointer is incremented as if data storage had taken place. The subaddress counter is also incremented when the data pointer overflows.

The storage arrangements described lead to extremely efficient data loading in cascaded applications. When a series of display bytes are sent to the display RAM, automatic wrap-over to the next PCA85233 occurs when the last RAM address is exceeded. Subaddressing across device boundaries is successful even if the change to the next device in the cascade occurs within a transmitted character.

The hardware subaddress must not be changed whilst the device is being accessed on the I²C-bus interface.

7.3.3 RAM writing in 1:3 multiplex drive mode

In 1:3 multiplex drive mode, the RAM is written as shown in [Table 13](#) (see [Figure 5](#) as well).

Table 13. Standard RAM filling in 1:3 multiplex drive mode

Assumption: BP2/S2, BP2/S5, BP2/S8 etc. **are not connected** to any segments/elements on the display.

Display RAM bits (rows)/backplane outputs (BPn)	Display RAM addresses (columns)/segment outputs (Sn)										
	0	1	2	3	4	5	6	7	8	9	:
0	a7	a4	a1	b7	b4	b1	c7	c4	c1	d7	:
1	a6	a3	a0	b6	b3	b0	c6	c3	c0	d6	:
2	a5	a2	-	b5	b2	-	c5	c2	-	d5	:
3	-	-	-	-	-	-	-	-	-	-	:

If the bit at position BP2/S2 would be written by a second byte transmitted, then the mapping of the segment bits would change as illustrated in [Table 14](#).

Table 14. Entire RAM filling by rewriting in 1:3 multiplex drive mode

Assumption: BP2/S2, BP2/S5, BP2/S8 etc. **are connected** to segments/elements on the display.

Display RAM bits (rows)/ backplane outputs (BPn)	Display RAM addresses (columns)/segment outputs (Sn)										
	0	1	2	3	4	5	6	7	8	9	:
0	a7	a4	a1/b7	b4	b1/c7	c4	c1/d7	d4	d1/e7	e4	:
1	a6	a3	a0/b6	b3	b0/c6	c3	c0/d6	d3	d0/e6	e3	:
2	a5	a2	b5	b2	c5	c2	d5	d2	e5	e2	:
3	-	-	-	-	-	-	-	-	-	-	:

In the case described in [Table 14](#) the RAM has to be written entirely and BP2/S2, BP2/S5, BP2/S8 etc. have to be connected to segments/elements on the display. This can be achieved by a combination of writing and rewriting the RAM like follows:

- In the first write to the RAM, bits a7 to a0 are written.
- In the second write, bits b7 to b0 are written, overwriting bits a1 and a0 with bits b7 and b6.
- In the third write, bits c7 to c0 are written, overwriting bits b1 and b0 with bits c7 and c6.

Depending on the method of writing to the RAM (standard or entire filling by rewriting), some segments/elements remain unused or can be used, but it has to be considered in the module layout process as well as in the driver software design.

7.3.4 Writing over the RAM address boundary

In all multiplex drive modes, depending on the setting of the data pointer, it is possible to fill the RAM over the RAM address boundary. If the PCA85233 is part of a cascade the additional bits fall into the next device that also generates the acknowledge signal. If the PCA85233 is a single device or the last device in a cascade the additional bits will be discarded and no acknowledge signal will be generated.

7.3.5 Output bank selector

The output bank selector (see [Table 9](#)) selects one of the four rows per display RAM address for transfer to the display register. The actual row selected depends on the selected LCD drive mode in operation and on the instant in the multiplex sequence.

- In 1:4 multiplex mode, all RAM addresses of row 0 are selected, these are followed by the contents of row 1, 2, and then 3
- In 1:3 multiplex mode, rows 0, 1, and 2 are selected sequentially
- In 1:2 multiplex mode, rows 0 and 1 are selected
- In static mode, row 0 is selected

The PCA85233 includes a RAM bank switching feature in the static and 1:2 multiplex drive modes. In the static drive mode, the bank-select command may request the contents of row 2 to be selected for display instead of the contents of row 0. In the 1:2 multiplex

mode, the contents of rows 2 and 3 may be selected instead of rows 0 and 1. This gives the provision for preparing display information in an alternative bank and to be able to switch to it once it is assembled.

7.3.6 Input bank selector

The input bank selector loads display data into the display RAM in accordance with the selected LCD drive configuration. Display data can be loaded in row 2 in static drive mode or in rows 2 and 3 in 1:2 multiplex drive mode by using the bank-select command (see [Table 9](#)). The input bank selector functions independently to the output bank selector.

7.4 Initialization

At power-on the status of the I²C-bus and the registers of the PCA85233 is undefined. Therefore the PCA85233 should be initialized as quickly as possible after power-on to ensure a proper bus communication and to avoid display artifacts. The following instructions should be accomplished for initialization:

7.4.1 Device initialization

At power-on the status of the I²C-bus communication interface is undefined since this device doesn't have POR which was removed to improve the ESD performance. A START and STOP condition with dummy byte in-between must be sent after every power reset to set up the I²C-bus communication interface.

- I²C-bus (see [Section 8](#)) initialization
 - generating a START condition
 - sending 0h (1 byte) and ignoring the acknowledge – Note, this is not the device address but just a dummy byte of all zeros
 - generating a STOP condition

7.4.2 Device setup

At power-on the status of the display and configuration registers are undefined and need to be set up to properly display information on the LCD display. After the I²C-bus interface is initialized as discussed in [Section 7.4.1](#) set up the device using these register settings

- Mode-set command (see [Table 6](#)), setting
 - bit E = 0
 - bit B to the required LCD bias configuration
 - bits M[1:0] to the required LCD drive mode
- Load-data-pointer command (see [Table 7](#)), setting
 - bits P[4:0] to 0h (or any other required address)
- Device-select command (see [Table 8](#)), setting
 - bits A[1:0] to the required hardware subaddress (for example, 0h)
- Bank-select command (see [Table 9](#)), setting
 - bit I to 0
 - bit O to 0
- Blink-select command (see [Table 10](#)), setting

- bit AB to 0 or 1
- bits BF[1:0] to 00 (or to a desired blinking mode)
- writing meaningful information (for example, a logo) into the display RAM
- After the initialization, the display can be switched on by setting bit E = 1 with the mode-set command or left off (blank) with bit E = 0.

7.5 Possible display configurations

The PCA85233 is a versatile peripheral device designed to interface between any microcontroller to a wide variety of LCD segment or dot matrix displays (see [Figure 6](#)). It can directly drive any static or multiplexed LCD containing up to four backplanes and up to 80 segments.

The display configurations possible with the PCA85233 depend on the required number of active backplane outputs. A selection of display configurations is given in [Table 15](#).

All of the display configurations given in [Table 15](#) can be implemented in a typical system as shown in [Figure 7](#).

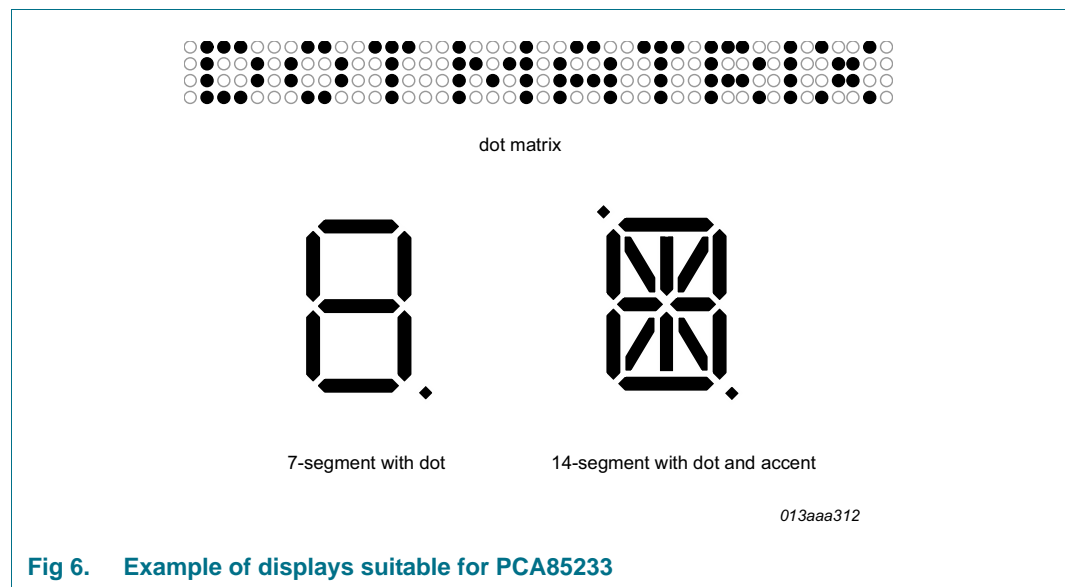


Fig 6. Example of displays suitable for PCA85233

Table 15. Selection of possible display configurations

Number of				
Backplanes	Icons	Digits/Characters		Dot matrix: segments/elements
		7-segment ^[1]	14-segment ^[2]	
4	320	40	20	320 (4 × 80)
3	240	30	15	240 (3 × 80)
2	160	20	10	160 (2 × 80)
1	80	10	5	80 (1 × 80)

[1] 7 segment display has 8 segments/elements including the decimal point.

[2] 14 segment display has 16 segments/elements including decimal point and accent dot.

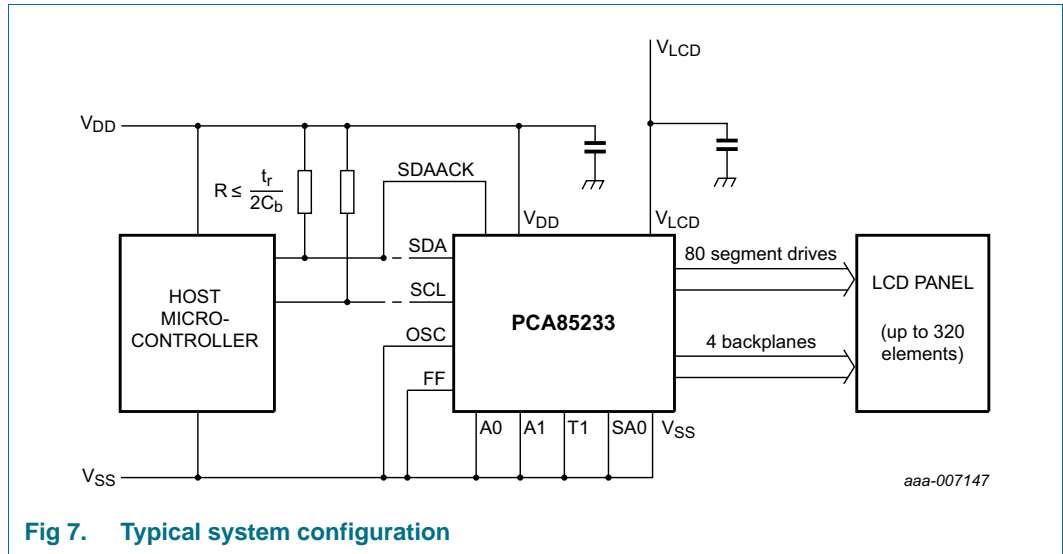


Fig 7. Typical system configuration

The host microcontroller maintains the 2-line I²C-bus communication channel with the PCA85233. The internal oscillator is enabled by connecting pin OSC to pin V_{SS}. The appropriate biasing voltages for the multiplexed LCD waveforms are generated internally. The only other connections required to complete the system are the power supplies (V_{DD}, V_{SS}, and V_{LCD}) and the LCD panel chosen for the application.

7.6 LCD bias generator

Fractional LCD biasing voltages are obtained from an internal voltage divider of three impedances connected between pins V_{LCD} and V_{SS}. The center impedance is bypassed by switch if the 1/2 bias voltage level for the 1:2 multiplex drive mode configuration is selected.

7.7 LCD voltage selector

The LCD voltage selector coordinates the multiplexing of the LCD in accordance with the selected LCD drive configuration. The operation of the voltage selector is controlled by the mode-set command from the command decoder. The biasing configurations that apply to the preferred modes of operation, together with the biasing characteristics as functions of V_{LCD} and the resulting discrimination ratios (D) are given in [Table 16](#).

Discrimination is a term which is defined as the ratio of the on and off RMS voltage across a segment. It can be thought of as a measurement of contrast.

Table 16. Biasing characteristics

LCD drive mode	Number of:		LCD bias configuration	$\frac{V_{off(RMS)}}{V_{LCD}}$	$\frac{V_{on(RMS)}}{V_{LCD}}$	$D = \frac{V_{on(RMS)}}{V_{off(RMS)}}$
	Backplanes	Levels				
static	1	2	static	0	1	∞
1:2 multiplex	2	3	1/2	0.354	0.791	2.236
1:2 multiplex	2	4	1/3	0.333	0.745	2.236
1:3 multiplex	3	4	1/3	0.333	0.638	1.915
1:4 multiplex	4	4	1/3	0.333	0.577	1.732

A practical value for V_{LCD} is determined by equating $V_{off(RMS)}$ with a defined LCD threshold voltage ($V_{th(off)}$), typically when the LCD exhibits approximately 10 % contrast. In the static drive mode a suitable choice is $V_{LCD} > 3V_{th(off)}$.

Multiplex drive modes of 1:3 and 1:4 with $\frac{1}{2}$ bias are possible but the discrimination and hence the contrast ratios are smaller.

Bias is calculated by $\frac{1}{1+a}$, where the values for a are

$a = 1$ for $\frac{1}{2}$ bias

$a = 2$ for $\frac{1}{3}$ bias

The RMS on-state voltage ($V_{on(RMS)}$) for the LCD is calculated with [Equation 4](#):

$$V_{on(RMS)} = V_{LCD} \sqrt{\frac{a^2 + 2a + n}{n \times (1 + a)^2}} \quad (4)$$

where the values for n are

$n = 1$ for static drive mode

$n = 2$ for 1:2 multiplex drive mode

$n = 3$ for 1:3 multiplex drive mode

$n = 4$ for 1:4 multiplex drive mode

The RMS off-state voltage ($V_{off(RMS)}$) for the LCD is calculated with [Equation 5](#):

$$V_{off(RMS)} = V_{LCD} \sqrt{\frac{a^2 - 2a + n}{n \times (1 + a)^2}} \quad (5)$$

Discrimination is the ratio of $V_{on(RMS)}$ to $V_{off(RMS)}$ and is determined from [Equation 6](#):

$$D = \frac{V_{on(RMS)}}{V_{off(RMS)}} = \sqrt{\frac{a^2 + 2a + n}{a^2 - 2a + n}} \quad (6)$$

Using [Equation 6](#), the discrimination for an LCD drive mode of 1:3 multiplex with $\frac{1}{2}$ bias is $\sqrt{3} = 1.732$ and the discrimination for an LCD drive mode of 1:4 multiplex with $\frac{1}{2}$ bias is $\frac{\sqrt{21}}{3} = 1.528$.

The advantage of these LCD drive modes is a reduction of the LCD full scale voltage V_{LCD} as follows:

- 1:3 multiplex ($\frac{1}{2}$ bias): $V_{LCD} = \sqrt{6} \times V_{off(RMS)} = 2.449V_{off(RMS)}$
- 1:4 multiplex ($\frac{1}{2}$ bias): $V_{LCD} = \left[\frac{4 \times \sqrt{3}}{3} \right] = 2.309V_{off(RMS)}$

These compare with $V_{LCD} = 3V_{off(RMS)}$ when $\frac{1}{3}$ bias is used.

V_{LCD} is sometimes referred as the LCD operating voltage.

7.7.1 Electro-optical performance

Suitable values for $V_{on(RMS)}$ and $V_{off(RMS)}$ are dependent on the LCD liquid used. The RMS voltage, at which a pixel will be switched on or off, determine the transmissibility of the pixel.

For any given liquid, there are two threshold values defined. One point is at 10 % relative transmission (at $V_{th(off)}$) and the other at 90 % relative transmission (at $V_{th(on)}$), see [Figure 8](#). For a good contrast performance, the following rules should be followed:

$$V_{on(RMS)} \geq V_{th(on)} \tag{7}$$

$$V_{off(RMS)} \leq V_{th(off)} \tag{8}$$

$V_{on(RMS)}$ and $V_{off(RMS)}$ are properties of the display driver and are affected by the selection of a, n (see [Equation 4](#) to [Equation 6](#)) and the V_{LCD} voltage.

$V_{th(off)}$ and $V_{th(on)}$ are properties of the LCD liquid and can be provided by the module manufacturer. $V_{th(off)}$ is sometimes named V_{th} . $V_{th(on)}$ is sometimes named saturation voltage V_{sat} .

It is important to match the module properties to those of the driver in order to achieve optimum performance.

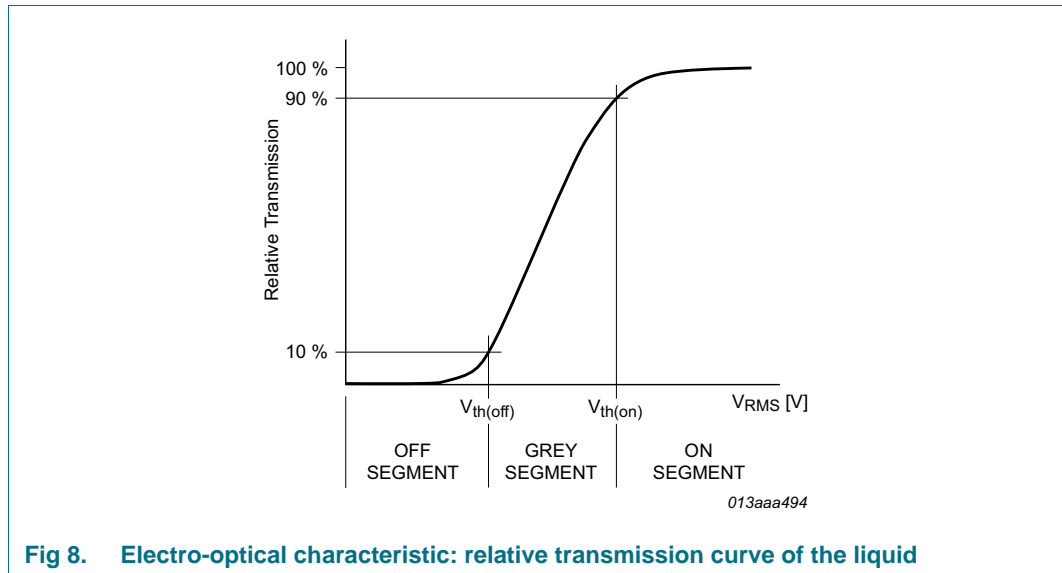


Fig 8. Electro-optical characteristic: relative transmission curve of the liquid

7.8 LCD drive mode waveforms

7.8.1 Static drive mode

The static LCD drive mode is used when a single backplane is provided in the LCD. Backplane and segment drive waveforms for this mode are shown in [Figure 9](#).

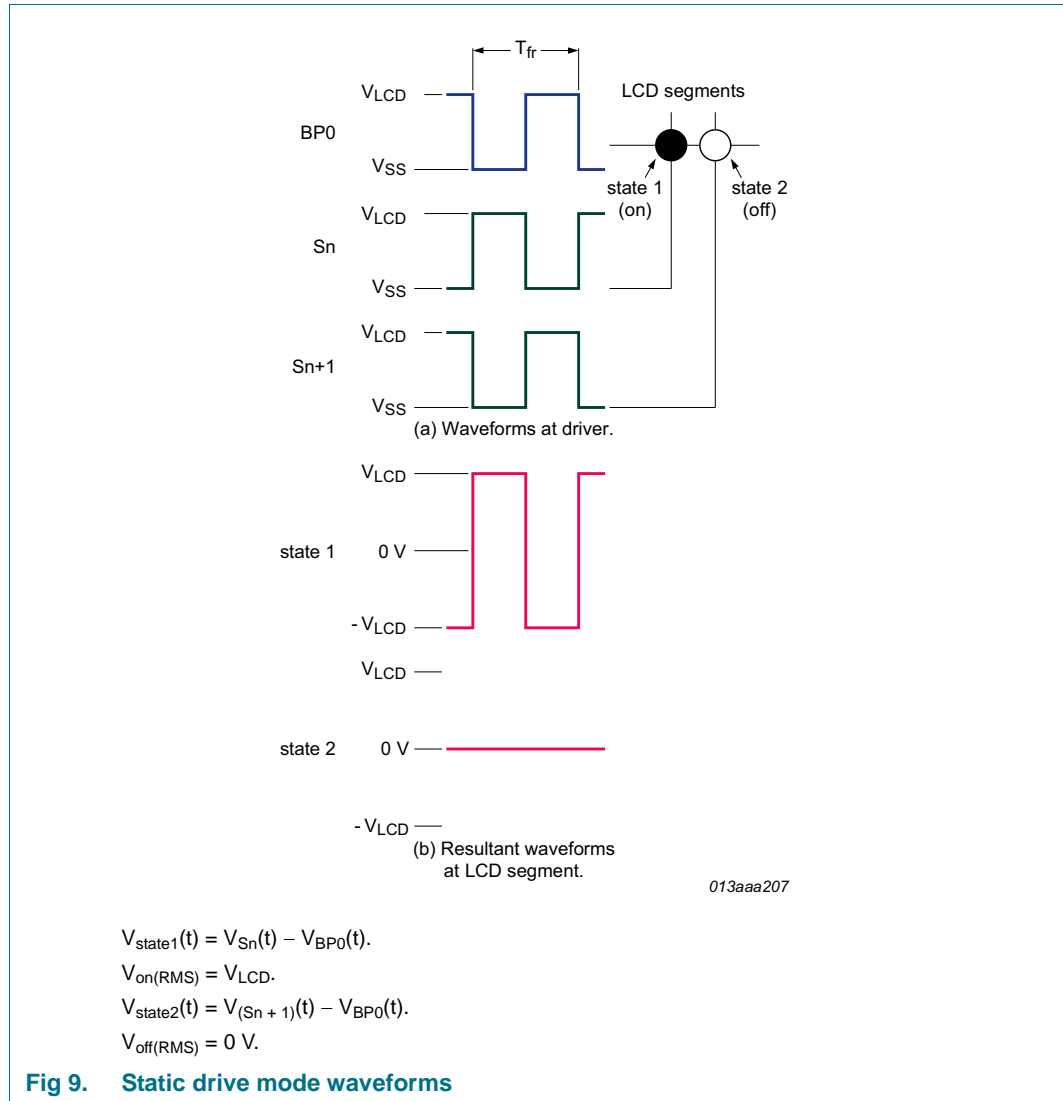


Fig 9. Static drive mode waveforms

7.8.2 1:2 Multiplex drive mode

When two backplanes are provided in the LCD, the 1:2 multiplex mode applies. The PCA85233 allows the use of 1/2 bias or 1/3 bias in this mode as shown in Figure 10 and Figure 11.

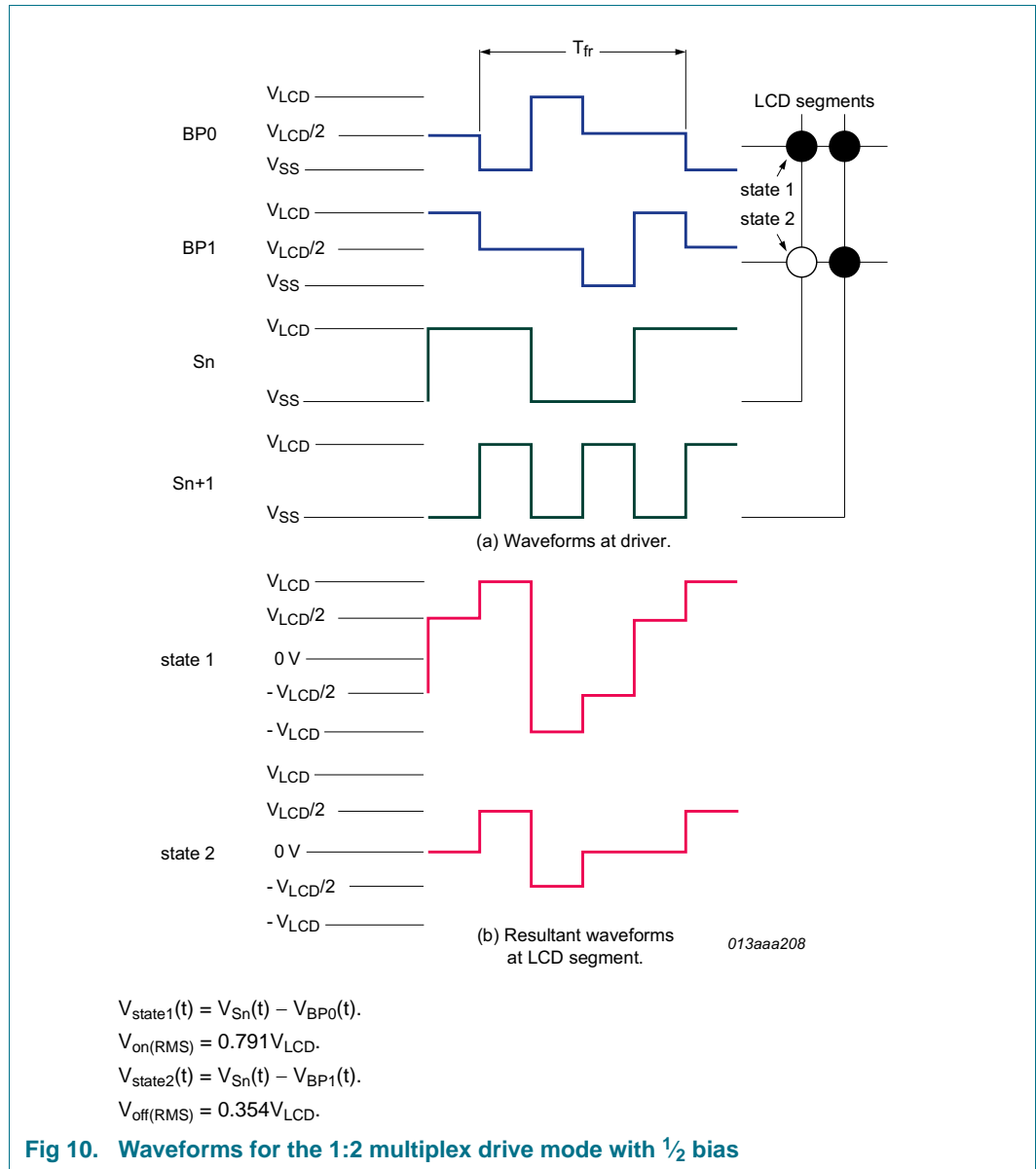


Fig 10. Waveforms for the 1:2 multiplex drive mode with 1/2 bias

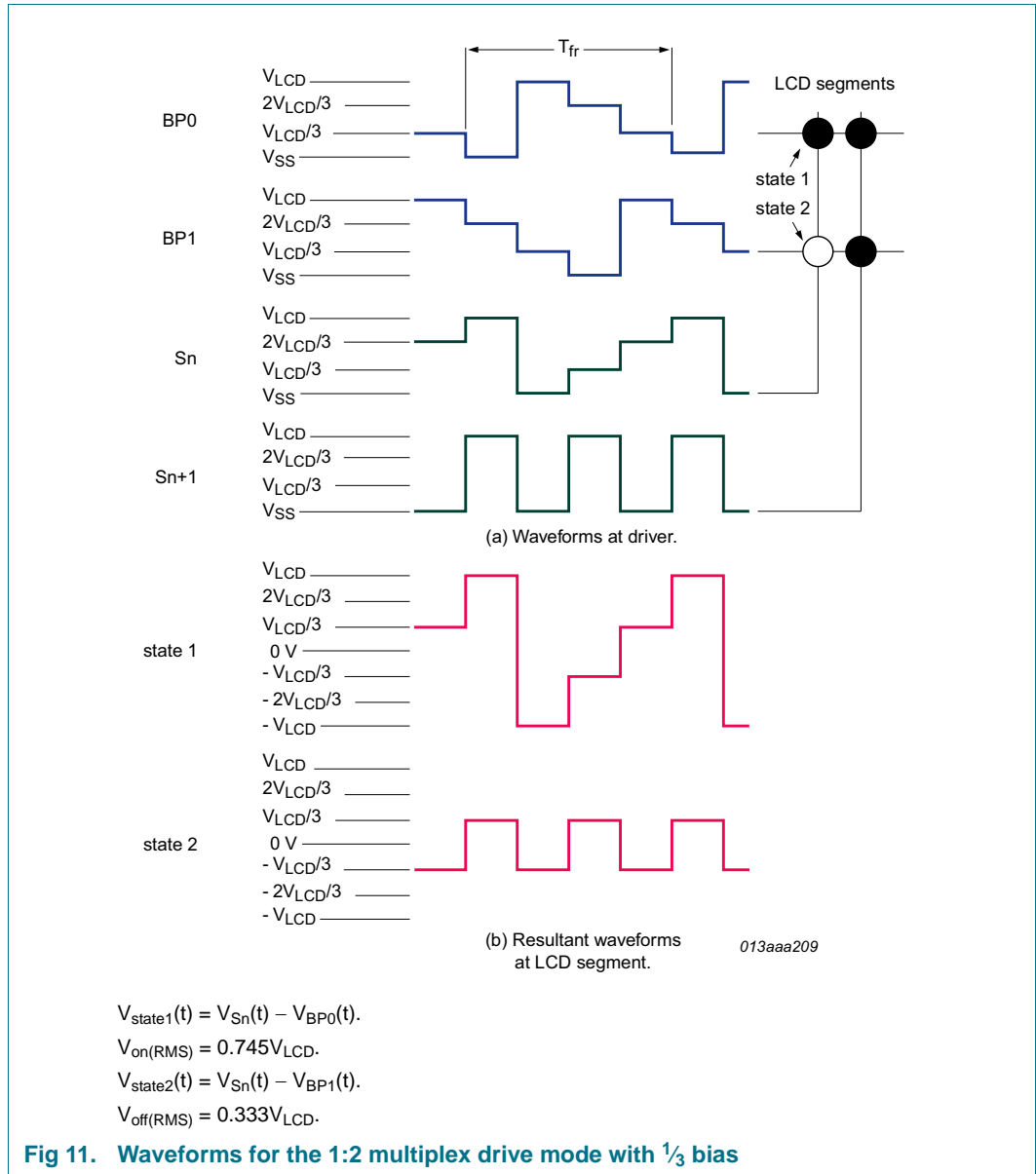


Fig 11. Waveforms for the 1:2 multiplex drive mode with 1/3 bias

7.8.3 1:3 Multiplex drive mode

When three backplanes are provided in the LCD, the 1:3 multiplex drive mode applies, as shown in Figure 12.

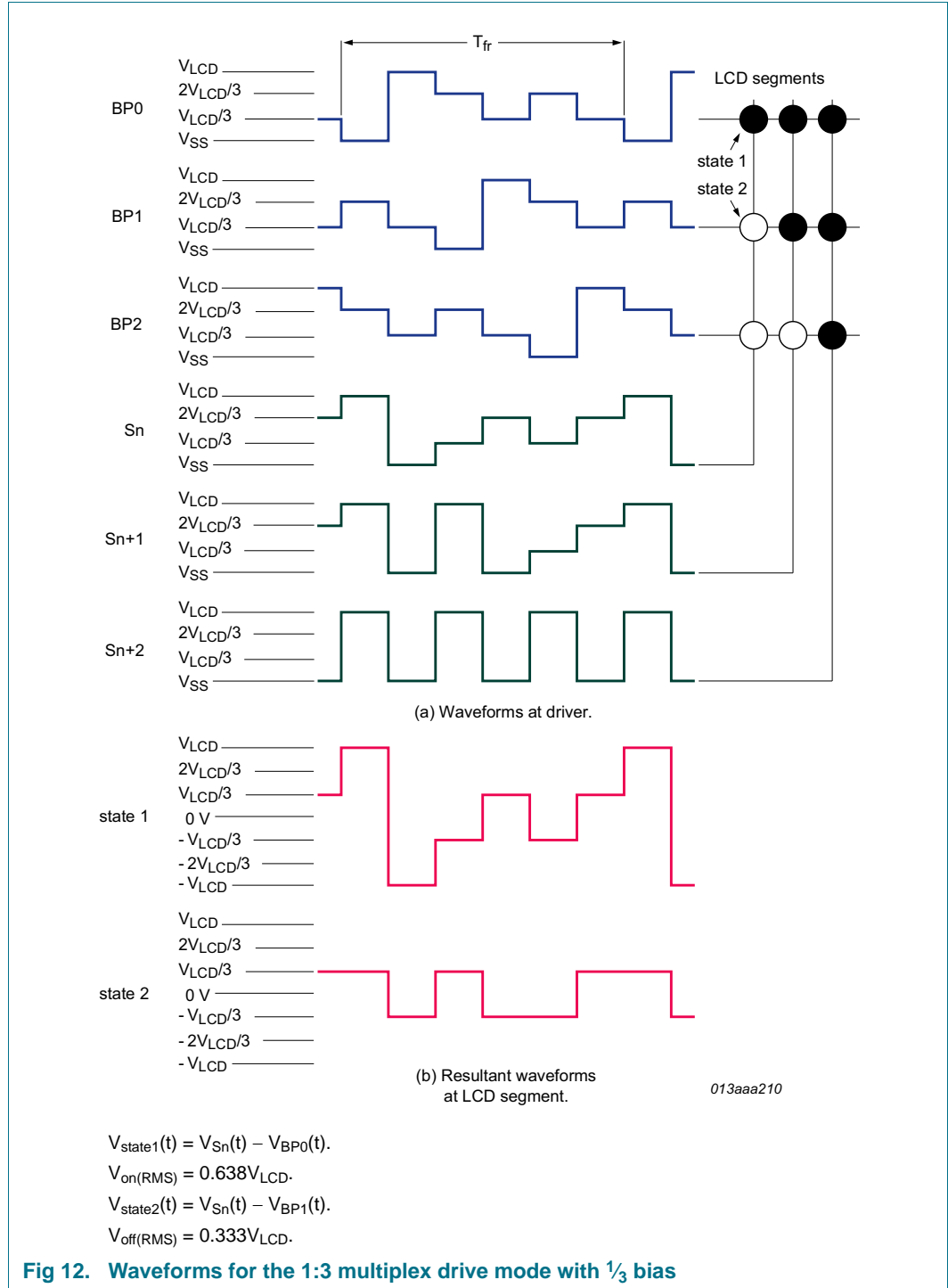


Fig 12. Waveforms for the 1:3 multiplex drive mode with 1/3 bias

7.8.4 1:4 Multiplex drive mode

When four backplanes are provided in the LCD, the 1:4 multiplex drive mode applies, as shown in Figure 13.

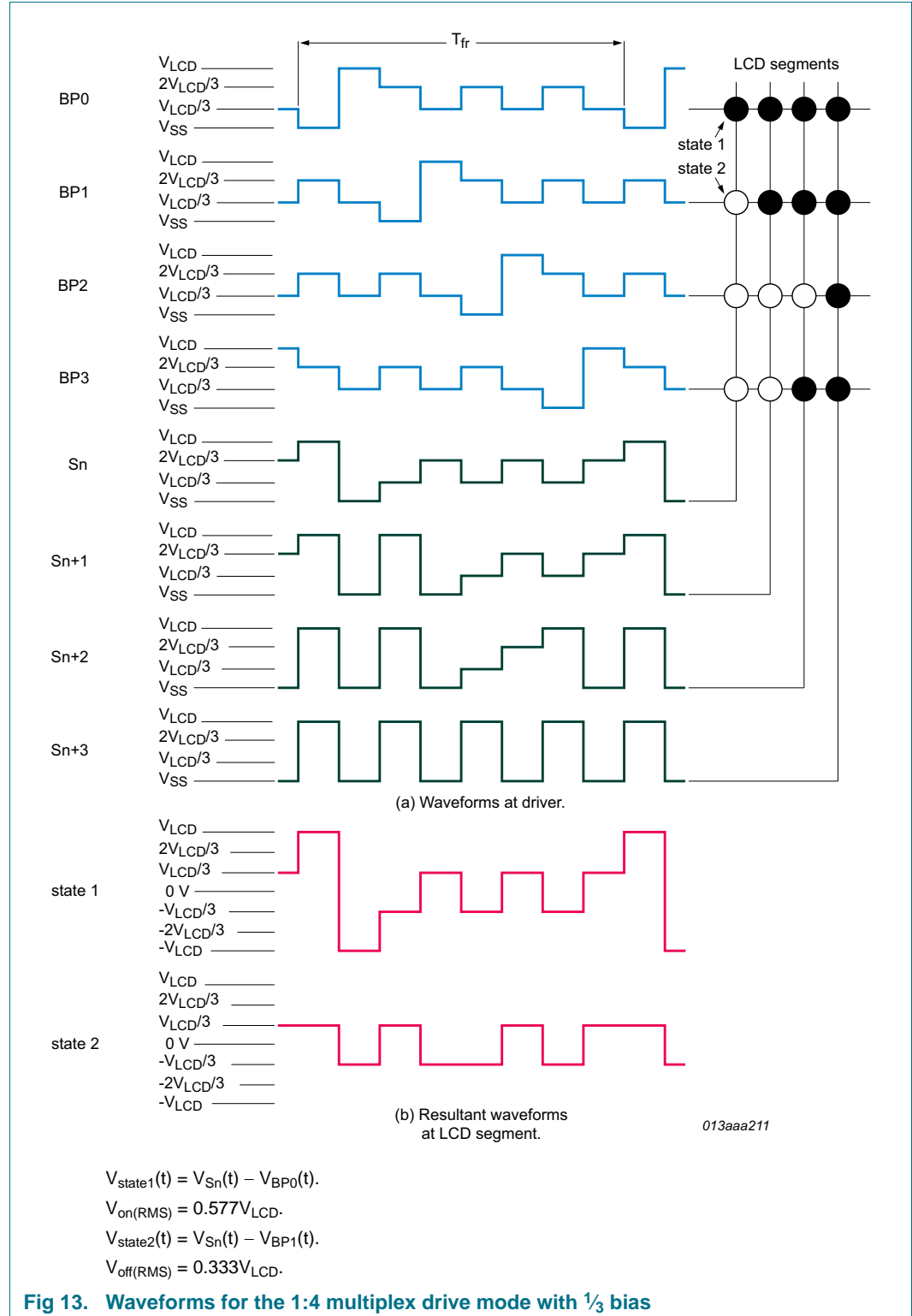


Fig 13. Waveforms for the 1:4 multiplex drive mode with 1/3 bias

7.9 Backplane outputs

The LCD drive section includes four backplane outputs: BP0 to BP3. The backplane output signals are generated in accordance with the selected LCD drive mode.

- In the 1:4 multiplex drive mode BP0 to BP3 must be connected directly to the LCD.

If less than four backplane outputs are required the unused outputs can be left open-circuit.

- In 1:3 multiplex drive mode: BP3 carries the same signal as BP1; therefore, these two adjacent outputs can be tied together to give enhanced drive capabilities.
- In 1:2 multiplex drive mode: BP0 and BP2, respectively, BP1 and BP3 carry the same signals and can also be paired to increase the drive capabilities.
- In static drive mode: The same signal is carried by all four backplane outputs; and they can be connected in parallel for very high drive requirements.

7.10 Segment outputs

The LCD drive section includes 80 segment outputs (S0 to S79) which must be connected directly to the LCD. The segment output signals are generated in accordance with the multiplexed backplane signals and with data residing in the display register. When less than 80 segment outputs are required the unused segment outputs must be left open-circuit.

8. Characteristics of the I²C-bus

The I²C-bus is for bidirectional, two-line communication between different ICs or modules. The two lines are a Serial Data line (SDA) and a Serial Clock line (SCL). Both lines must be connected to a positive supply via a pull-up resistor when connected to the output stages of a device. Data transfer may be initiated only when the bus is not busy.

By connecting pin SDAACK to pin SDA on the PCA85233, the SDA line becomes fully I²C-bus compatible. In COG applications where the track resistance from the SDAACK pin to the system SDA line can be significant, possibly a voltage divider is generated by the bus pull-up resistor and the Indium Tin Oxide (ITO) track resistance. As a consequence it may be possible that the acknowledge generated by the PCA85233 can't be interpreted as logic 0 by the master. In COG applications where the acknowledge cycle is required, it is therefore necessary to minimize the track resistance from the SDAACK pin to the system SDA line to guarantee a valid LOW level.

By separating the acknowledge output from the serial data line (having the SDAACK open circuit) design efforts to generate a valid acknowledge level can be avoided. However, in that case the I²C-bus master has to be set up in such a way that it ignores the acknowledge cycle.²

The following definition assumes SDA and SDAACK are connected and refers to the pair as SDA.

8.1 Bit transfer

One data bit is transferred during each clock pulse. The data on the SDA line must remain stable during the HIGH period of the clock pulse as changes in the data line at this time will be interpreted as a control signal (see [Figure 14](#)).

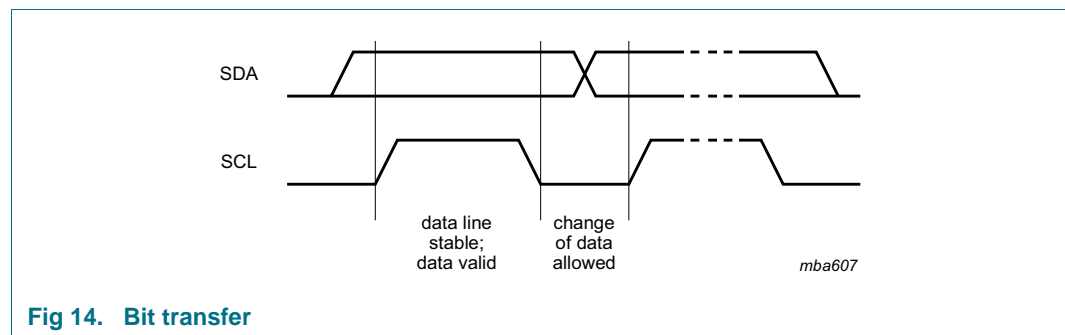


Fig 14. Bit transfer

8.2 START and STOP conditions

Both data and clock lines remain HIGH when the bus is not busy.

A HIGH-to-LOW change of the data line, while the clock is HIGH, is defined as the START condition (S).

A LOW-to-HIGH change of the data line, while the clock is HIGH, is defined as the STOP condition (P).

2. For further information, please consider the NXP application note: [Ref. 1 "AN10170"](#).

The START and STOP conditions are shown in [Figure 15](#).

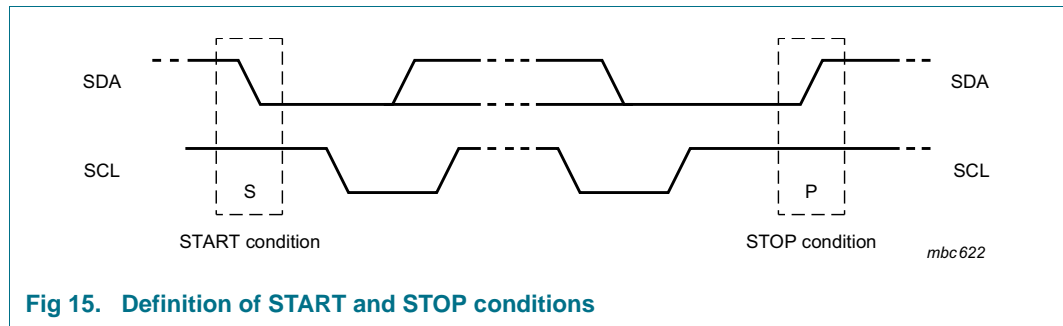


Fig 15. Definition of START and STOP conditions

8.3 System configuration

A device generating a message is a transmitter, a device receiving a message is the receiver. The device that controls the message is the master; and the devices which are controlled by the master are the slaves. The system configuration is shown in [Figure 16](#).

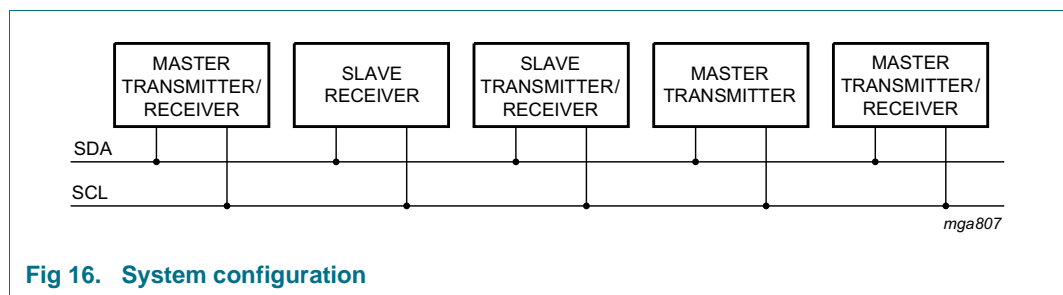


Fig 16. System configuration

8.4 Acknowledge

The number of data bytes transferred between the START and STOP conditions from transmitter to receiver is unlimited. Each byte of eight bits is followed by an acknowledge cycle.

- A slave receiver, which is addressed, must generate an acknowledge after the reception of each byte.
- A master receiver must generate an acknowledge after the reception of each byte that has been clocked out of the slave transmitter.
- The device that acknowledges must pull-down the SDA line during the acknowledge clock pulse, so that the SDA line is stable LOW during the HIGH period of the acknowledge related clock pulse (set-up and hold times must be taken into consideration).
- A master receiver must signal an end of data to the transmitter by not generating an acknowledge on the last byte that has been clocked out of the slave. In this event, the transmitter must leave the data line HIGH to enable the master to generate a STOP condition.

Acknowledgement on the I²C-bus is shown in [Figure 17](#).

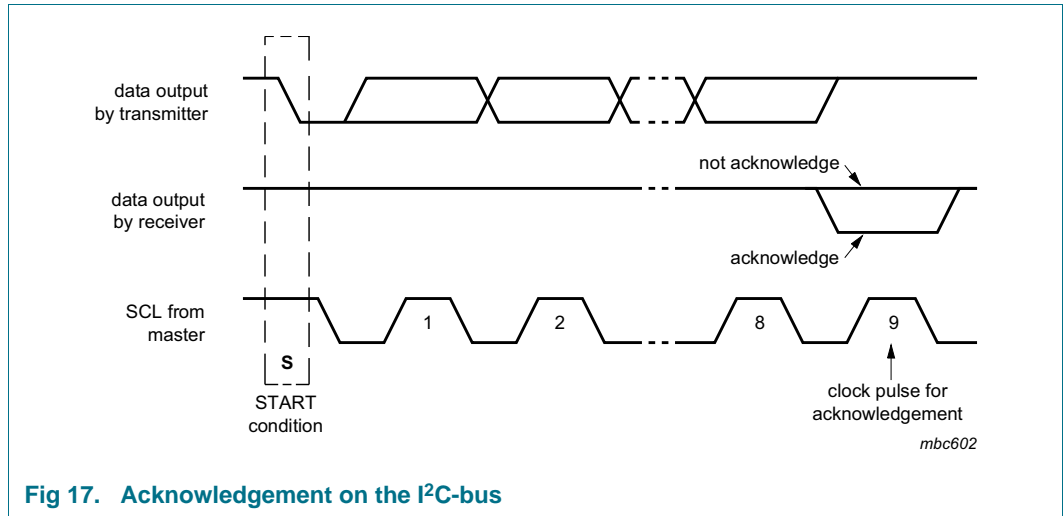


Fig 17. Acknowledgement on the I²C-bus

8.5 I²C-bus controller

The PCA85233 acts as an I²C-bus slave receiver. It does not initiate I²C-bus transfers or transmit data to an I²C-bus master receiver. The only data output from the PCA85233 are the acknowledge signals from the selected devices. Device selection depends on the I²C-bus slave address, on the transferred command data, and on the hardware subaddress.

In single device applications, the hardware subaddress inputs A0 and A1 are normally tied to V_{SS} which defines the hardware subaddress 0. In multiple device applications A0 and A1 are tied to V_{SS} or V_{DD} using a binary coding scheme, so that no two devices with a common I²C-bus slave address have the same hardware subaddress.

8.6 Input filters

To enhance noise immunity in electrically adverse environments, RC low-pass filters are provided on the SDA and SCL lines.

8.7 I²C-bus protocol

Two I²C-bus slave addresses (0111 000 and 0111 001) are used to address the PCA85233. The entire I²C-bus slave address byte is shown in [Table 17](#).

Table 17. I²C slave address byte

Bit	Slave address							0
	7	6	5	4	3	2	1	
	MSB							LSB
	0	1	1	1	0	0	SA0	R/W

The PCA85233 is a write-only device and will not respond to a read access, therefore bit 0 should always be logic 0. Bit 1 of the slave address byte that a PCA85233 will respond to, is defined by the level tied to its SA0 input (V_{SS} for logic 0 and V_{DD} for logic 1).

Having two reserved slave addresses allows the following on the same I²C-bus:

- Up to 8 PCA85233 on the same I²C-bus for very large LCD applications
- The use of two types of LCD multiplex drive modes on the same I²C-bus

The I²C-bus protocol is shown in [Figure 18](#). The sequence is initiated with a START condition (S) from the I²C-bus master which is followed by one of the available PCA85233 slave addresses. All PCA85233 with the same SA0 level acknowledge in parallel to the slave address. All PCA85233 with the alternative SA0 level ignore the whole I²C-bus transfer.

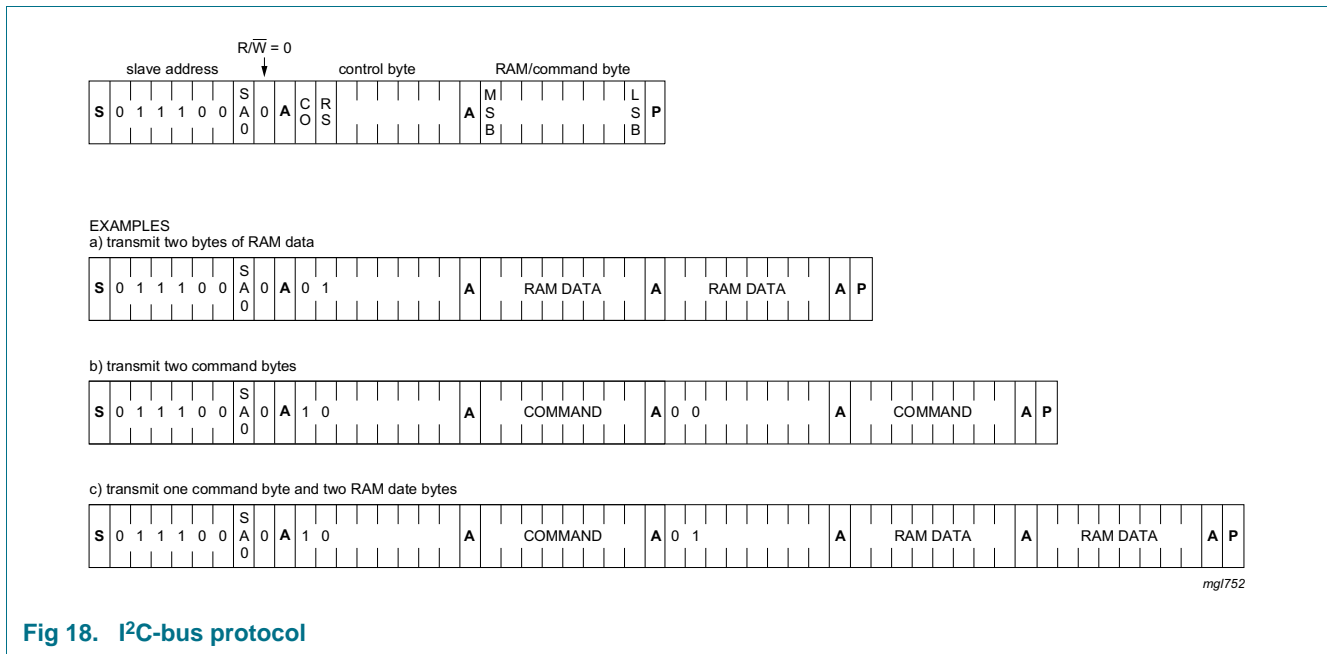


Fig 18. I²C-bus protocol

After acknowledgement, the control byte is sent, defining if the next byte is a RAM or command information. The control byte also defines if the next byte is a control byte or further RAM or command data (see [Figure 19](#) and [Table 18](#)). In this way it is possible to configure the device and then fill the display RAM with little overhead.

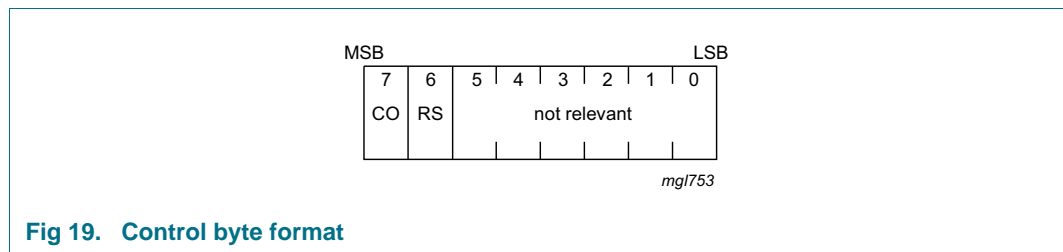


Fig 19. Control byte format

Table 18. Control byte description

Bit	Symbol	Value	Description
7	CO		continue bit
		0	last control byte
		1	control bytes continue
6	RS		register selection
		0	command register
		1	data register
5 to 0	-		not relevant

The command bytes and control bytes are also acknowledged by all addressed PCA85233 connected to the bus.

The display bytes are stored in the display RAM at the address specified by the data pointer and the subaddress counter. Both data pointer and subaddress counter are automatically updated.

The acknowledgement after each byte is made only by the (A0 and A1) addressed PCA85233. After the last display byte, the I²C-bus master issues a STOP condition (P). Alternatively a START may be asserted to RESTART an I²C-bus access.

9. Internal circuitry

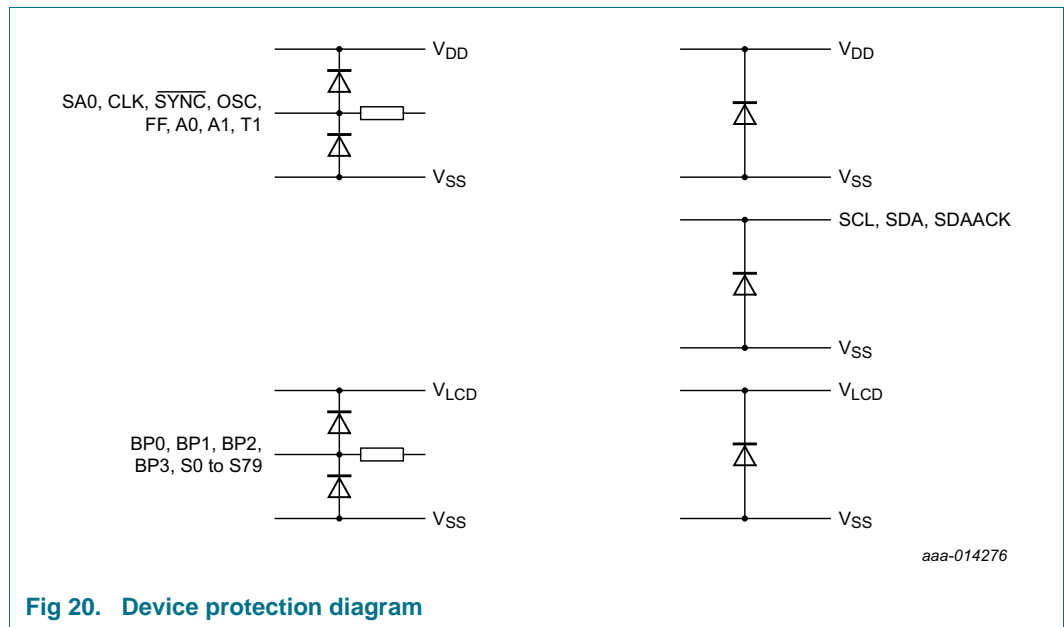


Fig 20. Device protection diagram

10. Safety notes

CAUTION



This device is sensitive to ElectroStatic Discharge (ESD). Observe precautions for handling electrostatic sensitive devices.

Such precautions are described in the *ANSI/ESD S20.20*, *IEC/ST 61340-5*, *JESD625-A* or equivalent standards.

CAUTION



Static voltages across the liquid crystal display can build up when the LCD supply voltage (V_{LCD}) is on while the IC supply voltage (V_{DD}) is off, or vice versa. This may cause unwanted display artifacts. To avoid such artifacts, V_{LCD} and V_{DD} must be applied or removed together.

CAUTION



Semiconductors are light sensitive. Exposure to light sources can cause the IC to malfunction. The IC must be protected against light. The protection must be applied to all sides of the IC.

11. Limiting values

Table 19. Limiting values

In accordance with the Absolute Maximum Rating System (IEC 60134).^[1]

Symbol	Parameter	Conditions	Min	Max	Unit	
V _{DD}	supply voltage		-0.5	+6.5	V	
V _{LCD}	LCD supply voltage		-0.5	+9.0	V	
V _{i(n)}	voltage on any input	V _{DD} related inputs	-0.5	+6.5	V	
V _{o(n)}	voltage on any output	V _{LCD} related outputs	-0.5	+9.0	V	
I _I	input current		-10	+10	mA	
I _O	output current		-10	+10	mA	
I _{DD}	supply current		-50	+50	mA	
I _{SS}	ground supply current		-50	+50	mA	
I _{DD(LCD)}	LCD supply current		-50	+50	mA	
P _{tot}	total power dissipation		-	400	mW	
P/out	power dissipation per output		-	100	mW	
V _{ESD}	electrostatic discharge voltage	HBM	^[2]	-	±4000	V
		MM	^[3]	-	±250	V
I _{Iu}	latch-up current		^[4]	-	100	mA
T _{stg}	storage temperature		^[5]	-65	+150	°C
T _{amb}	ambient temperature	operating device		-40	+105	°C

- [1] Stresses above these values listed may cause permanent damage to the device.
- [2] Pass level; Human Body Model (HBM) according to [Ref. 8 "JESD22-A114"](#).
- [3] Pass level; Machine Model (MM), according to [Ref. 9 "JESD22-A115"](#).
- [4] Pass level; latch-up testing, according to [Ref. 10 "JESD78"](#) at maximum ambient temperature (T_{amb(max)}).
- [5] According to the store and transport requirements (see [Ref. 13 "UM10569"](#)) the devices have to be stored at a temperature of +8 °C to +45 °C and a humidity of 25 % to 75 %.

12. Static characteristics

Table 20. Static characteristics

$V_{DD} = 1.8\text{ V to }5.5\text{ V}$; $V_{SS} = 0\text{ V}$; $V_{LCD} = 2.5\text{ V to }8.0\text{ V}$; $T_{amb} = -40\text{ °C to }+105\text{ °C}$; unless otherwise specified.

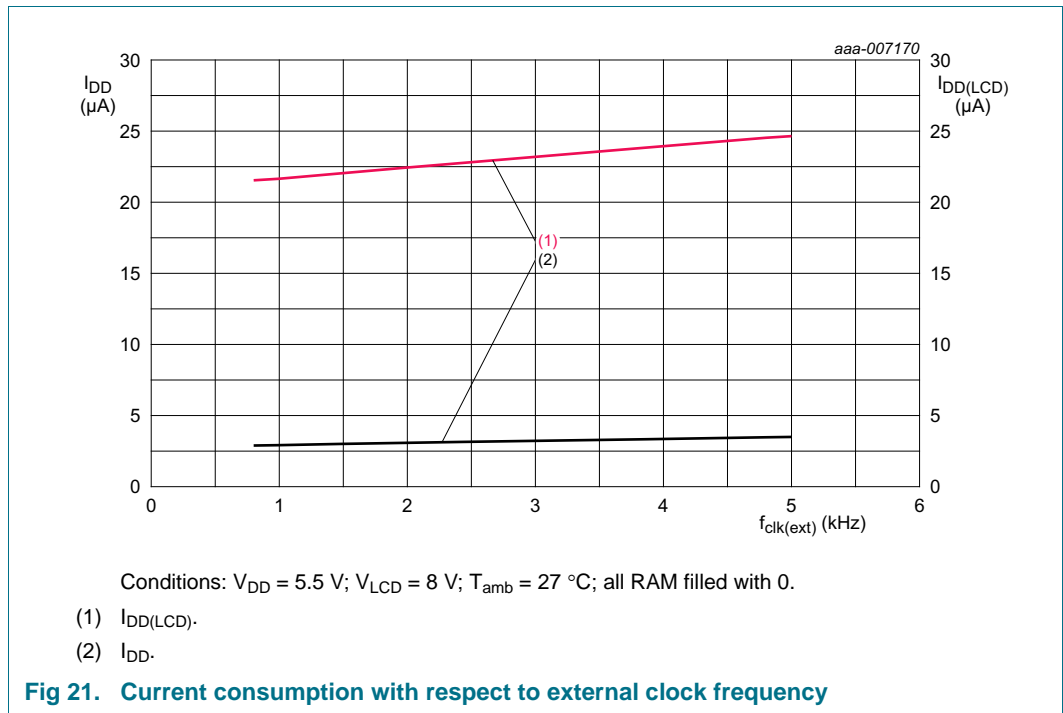
Symbol	Parameter	Conditions	Min	Typ	Max	Unit
Supplies						
V_{DD}	supply voltage	$V_{LCD} \leq 6.5\text{ V}$	1.8	-	5.5	V
		$V_{LCD} > 6.5\text{ V}$	2.5	-	5.5	V
V_{LCD}	LCD supply voltage	$V_{DD} < 2.5\text{ V}$	2.5	-	6.5	V
		$V_{DD} \geq 2.5\text{ V}$	2.5	-	8.0	V
I_{DD}	supply current	$f_{clk(ext)} = 1536\text{ Hz}$; $V_{DD} = 5.5\text{ V}$; see Figure 21	[1]	3	6	μA
$I_{DD(LCD)}$	LCD supply current	$f_{clk(ext)} = 1536\text{ Hz}$; $V_{DD} = 5.5\text{ V}$; $V_{LCD} = 8.0\text{ V}$; see Figure 21	[1]	22	45	μA
Logic						
V_I	input voltage		$V_{SS} - 0.5$	-	$V_{DD} + 0.5$	V
V_{IH}	HIGH-level input voltage	on pins CLK, $\overline{\text{SYNC}}$, OSC, A0, A1, T1, SA0, FF	$0.7V_{DD}$	-	V_{DD}	V
V_{IL}	LOW-level input voltage	on pins CLK, $\overline{\text{SYNC}}$, OSC, A0, A1, T1, SA0, FF	V_{SS}	-	$0.3V_{DD}$	V
V_{OH}	HIGH-level output voltage		$0.8V_{DD}$	-	-	V
V_{OL}	LOW-level output voltage		-	-	$0.2V_{DD}$	V
I_{OH}	HIGH-level output current	output source current; on pin CLK; $V_{OH} = 4.6\text{ V}$; $V_{DD} = 5\text{ V}$	1	-	-	mA
I_{OL}	LOW-level output current	output sink current; on pin CLK, $\overline{\text{SYNC}}$; $V_{OL} = 0.4\text{ V}$; $V_{DD} = 5\text{ V}$	1	-	-	mA
I_L	leakage current	on pins OSC, CLK, SCL, SDA, A0, A1, T1, SA0, FF; $V_I = V_{DD}$ or V_{SS}	-1	-	+1	μA
C_I	input capacitance		[3]	-	7	pF
I²C-bus[2]						
Input on pins SDA and SCL						
V_I	input voltage		$V_{SS} - 0.5$	-	5.5	V
V_{IH}	HIGH-level input voltage		$0.7V_{DD}$	-	5.5	V
V_{IL}	LOW-level input voltage		V_{SS}	-	$0.3V_{DD}$	V
C_I	input capacitance		[3]	-	7	pF
$I_{OL(SDA)}$	LOW-level output current on pin SDA	output sink current; $V_{OL} = 0.4\text{ V}$; $V_{DD} = 5\text{ V}$	3	-	-	mA

Table 20. Static characteristics ...continued

$V_{DD} = 1.8\text{ V to }5.5\text{ V}$; $V_{SS} = 0\text{ V}$; $V_{LCD} = 2.5\text{ V to }8.0\text{ V}$; $T_{amb} = -40\text{ }^{\circ}\text{C to }+105\text{ }^{\circ}\text{C}$; unless otherwise specified.

Symbol	Parameter	Conditions	Min	Typ	Max	Unit	
LCD outputs							
ΔV_O	output voltage variation	on pins BP0 to BP3; $C_{bpl} = 35\text{ nF}$	-100	-	+100	mV	
		on pins S0 to S79; $C_{sgm} = 5\text{ nF}$	-100	-	+100	mV	
R_O	output resistance	$V_{LCD} = 5\text{ V}$					
		on pins BP0 to BP3	[4]	-	1.5	10	k Ω
		on pins S0 to S79	[4]	-	6.0	13.5	k Ω

- [1] LCD outputs are open-circuit; inputs at V_{SS} or V_{DD} ; external clock with 50 % duty factor; I²C-bus inactive.
- [2] The I²C-bus interface of PCA85233 is 5 V tolerant.
- [3] Not tested, design specification only.
- [4] Outputs measured individually and sequentially.



13. Dynamic characteristics

Table 21. Dynamic characteristics

$V_{DD} = 1.8\text{ V to }5.5\text{ V}$; $V_{SS} = 0\text{ V}$; $V_{LCD} = 2.5\text{ V to }8.0\text{ V}$; $T_{amb} = -40\text{ °C to }+105\text{ °C}$; unless otherwise specified.

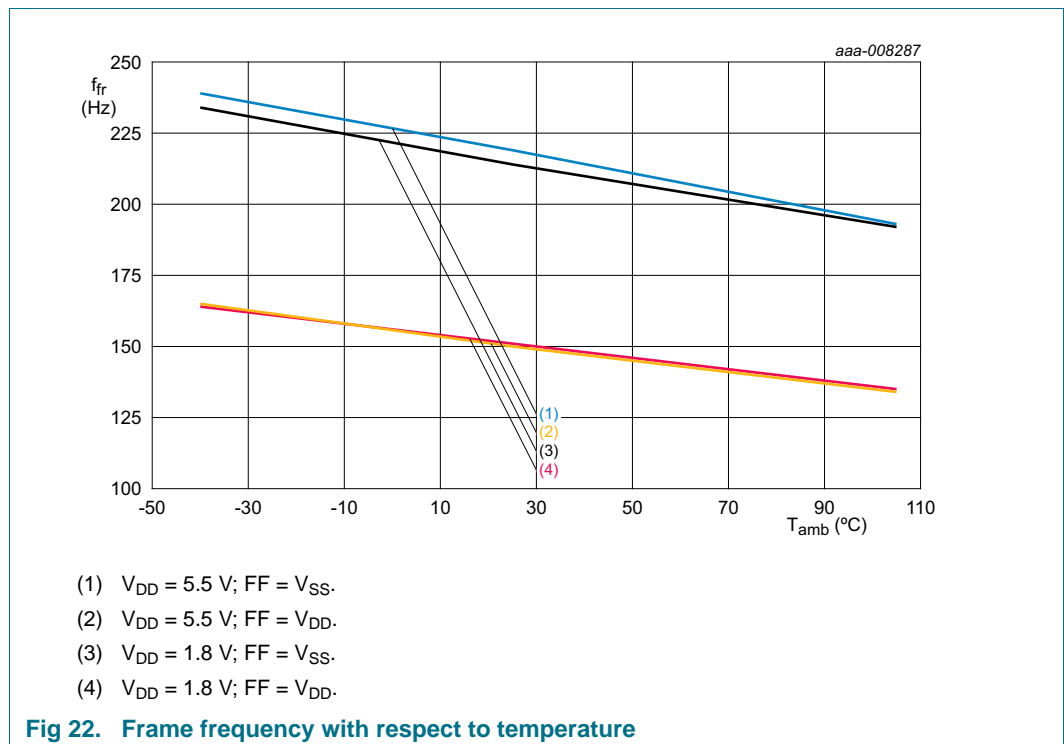
Symbol	Parameter	Conditions	Min	Typ	Max	Unit
Clock						
Internal: output pin CLK						
f _{clk}	clock frequency	FF = V _{DD}	[1][2] 2630	3600	4680	Hz
		FF = V _{SS}	[1][2] 3855	5280	6865	Hz
f _{fr}	frame frequency	FF = V _{DD}	-	150	-	Hz
		FF = V _{SS}	-	220	-	Hz
Δf _{fr}	frame frequency variation	FF = V _{DD} ; see Figure 22	110	150	195	Hz
		FF = V _{SS} ; see Figure 22	161	220	286	Hz
External: input pin CLK						
f _{clk(ext)}	external clock frequency		[2] 800	-	7000	Hz
t _{clk(H)}	HIGH-level clock time		90	-	-	μs
t _{clk(L)}	LOW-level clock time		90	-	-	μs
Synchronization: input pin SYNC						
t _{PD(SYNC_N)}	SYNC propagation delay		-	30	-	ns
t _{SYNC_NL}	SYNC LOW time		1	-	-	μs
Outputs: pins BP0 to BP3 and S0 to S79						
t _{PD(drv)}	driver propagation delay	V _{LCD} = 5 V	-	-	30	μs
I²C-bus: timing						
Pin SCL						
f _{SCL}	SCL clock frequency		-	-	400	kHz
t _{HIGH}	HIGH period of the SCL clock		0.6	-	-	μs
t _{LOW}	LOW period of the SCL clock		1.3	-	-	μs
Pin SDA						
t _{SU;DAT}	data set-up time		100	-	-	ns
t _{HD;DAT}	data hold time		0	-	-	ns

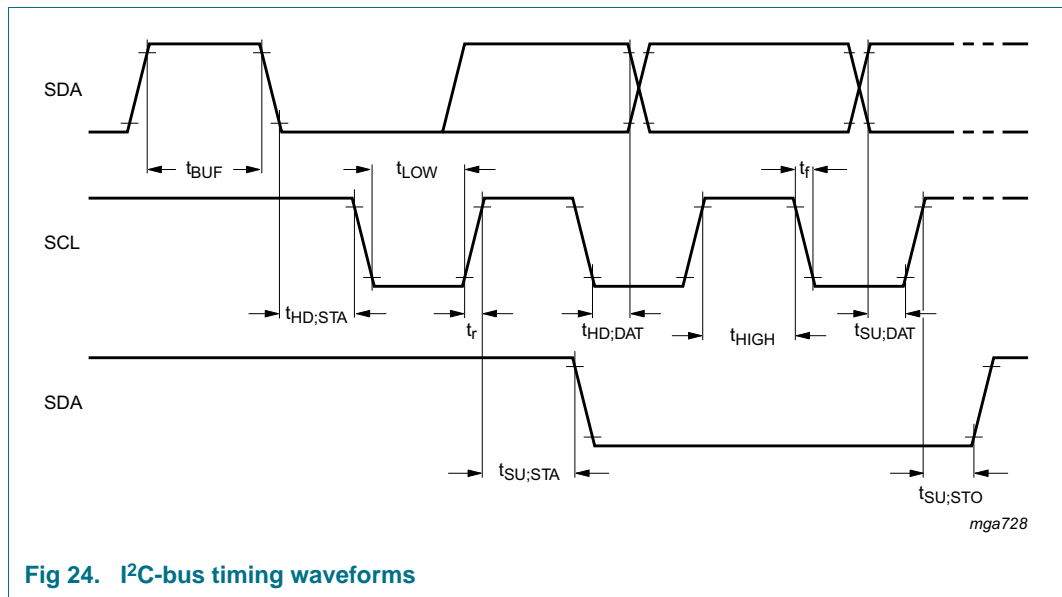
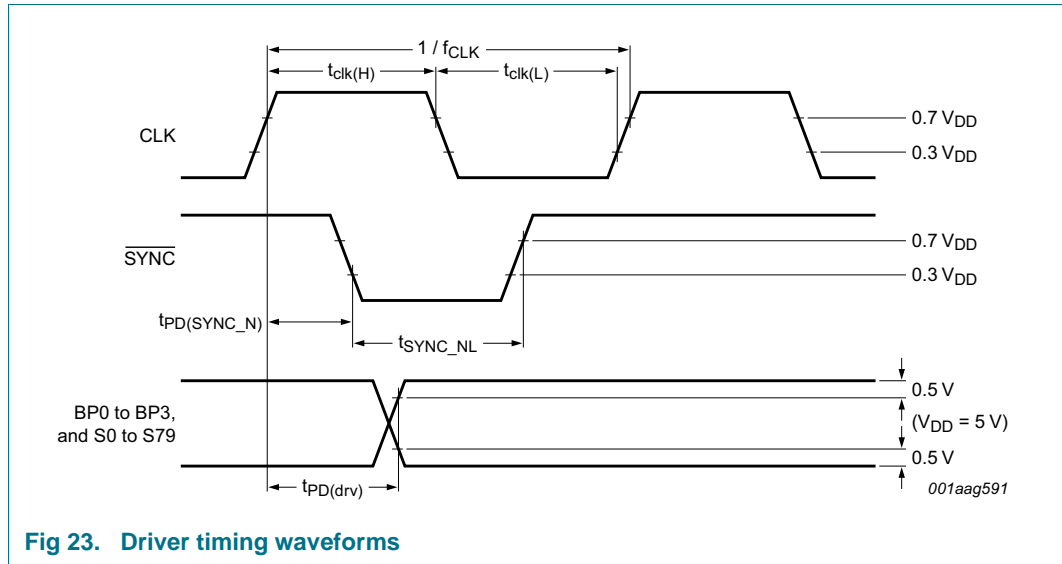
Table 21. Dynamic characteristics ...continued

$V_{DD} = 1.8\text{ V to }5.5\text{ V}$; $V_{SS} = 0\text{ V}$; $V_{LCD} = 2.5\text{ V to }8.0\text{ V}$; $T_{amb} = -40\text{ }^{\circ}\text{C to }+105\text{ }^{\circ}\text{C}$; unless otherwise specified.

Symbol	Parameter	Conditions	Min	Typ	Max	Unit
Pins SCL and SDA						
t_{BUF}	bus free time between a STOP and START condition		1.3	-	-	μs
$t_{SU,STO}$	set-up time for STOP condition		0.6	-	-	μs
$t_{HD,STA}$	hold time (repeated) START condition		0.6	-	-	μs
$t_{SU,STA}$	set-up time for a repeated START condition		0.6	-	-	μs
t_r	rise time of both SDA and SCL signals	$f_{SCL} = 400\text{ kHz}$	-	-	0.3	μs
		$f_{SCL} < 125\text{ kHz}$	-	-	1.0	μs
t_f	fall time of both SDA and SCL signals		-	-	0.3	μs
C_b	capacitive load for each bus line		-	-	400	pF
$t_{w(\text{spike})}$	spike pulse width	on bus	-	-	50	ns

- [1] Typical output duty cycle of 50 %.
- [2] The corresponding frame frequency is $f_{fr} = \frac{f_{clk}}{24}$.
- [3] All timing values are valid within the operating supply voltage and ambient temperature range and are referenced to V_{IL} and V_{IH} with an input voltage swing of V_{SS} to V_{DD} . For I²C-bus timings see [Figure 24](#).





14. Application information

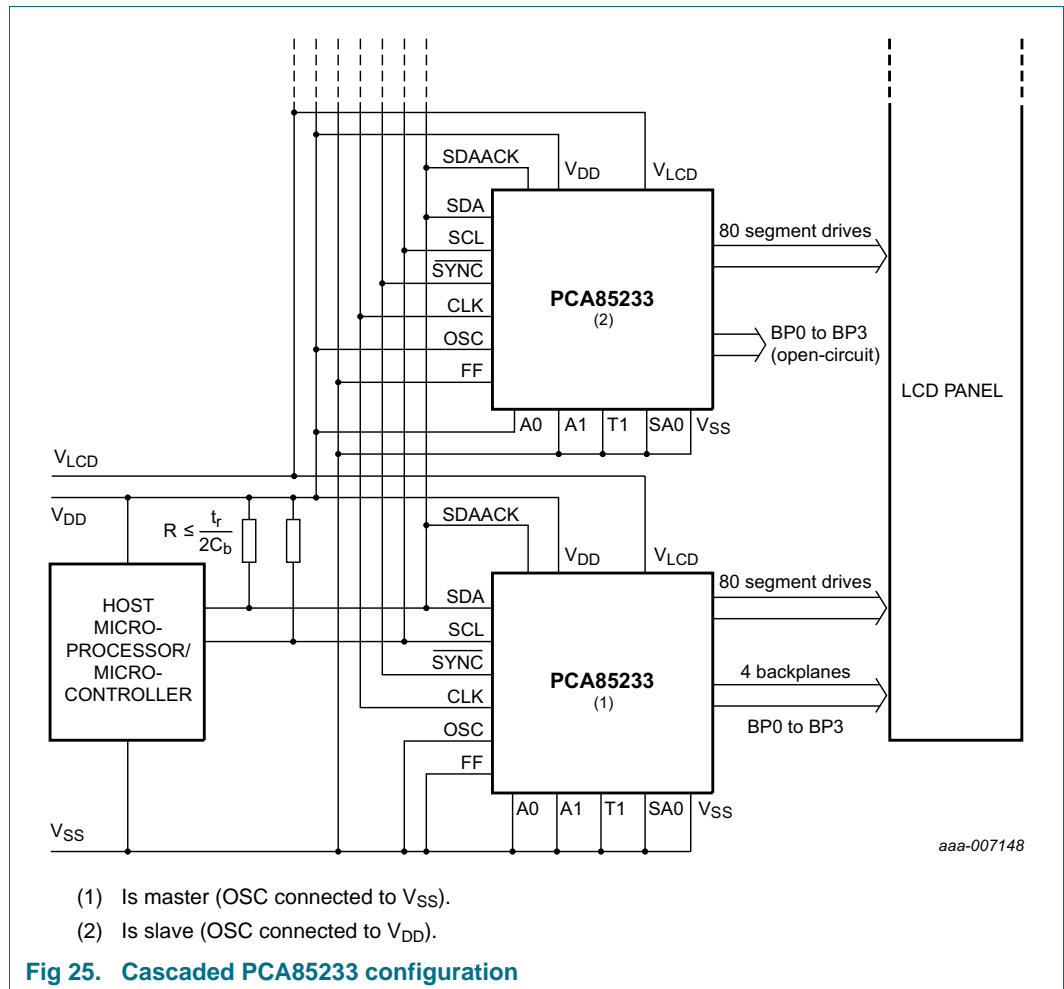
14.1 Cascaded operation

In large display configurations up to 8 PCA85233 can be recognized on the same I²C-bus by using the 2-bit hardware subaddress (A0 and A1) and the programmable I²C-bus slave address (SA0).

Table 22. Addressing cascaded PCA85233

Cluster	Bit SA0	Pin A1	Pin A0	Device
1	0	0	0	0
		0	1	1
		1	0	2
		1	1	3
2	1	0	0	4
		0	1	5
		1	0	6
		1	1	7

When cascaded PCA85233 are synchronized, they can share the backplane signals from one of the devices in the cascade. Such an arrangement is cost-effective in large LCD applications since the backplane outputs of only one device need to be through-plated to the backplane electrodes of the display. The other PCA85233 of the cascade contribute additional segment outputs. The backplanes can either be connected together to enhance the drive capability or some can be left open-circuit (such as the ones from the slave in [Figure 25](#)) or just some of the master and some of the slave will be taken to facilitate the layout of the display.



For display sizes that are not multiple of 320 segments/elements, a mixed cascaded system can be considered containing only devices like PCA85233 and PCA85132. Depending on the application, one must take care of the software command and pin connection compatibility.

Only one master but multiple slaves are allowed in a cascade. All devices in the cascade have to use the same clock whether it is supplied externally or provided by the master.

The $\overline{\text{SYNC}}$ line is provided to maintain the correct synchronization between all cascaded PCA85233. The only time that $\overline{\text{SYNC}}$ is likely to be needed is if synchronization is accidentally lost (e.g. by noise in adverse electrical environments or by the definition of a multiplex drive mode when PCA85233 with different SA0 levels are cascaded).

$\overline{\text{SYNC}}$ is organized as an input/output pin; The output selection is realized as an open-drain driver with an internal pull-up resistor. A PCA85233 asserts the $\overline{\text{SYNC}}$ line at the onset of its last active backplane signal and monitors the $\overline{\text{SYNC}}$ line at all other times. If synchronization in the cascade is lost, it is restored by the first PCA85233 to assert $\overline{\text{SYNC}}$. The timing relationships between the backplane waveforms and the $\overline{\text{SYNC}}$ signal for the various drive modes of the PCA85233 are shown in [Figure 26](#).

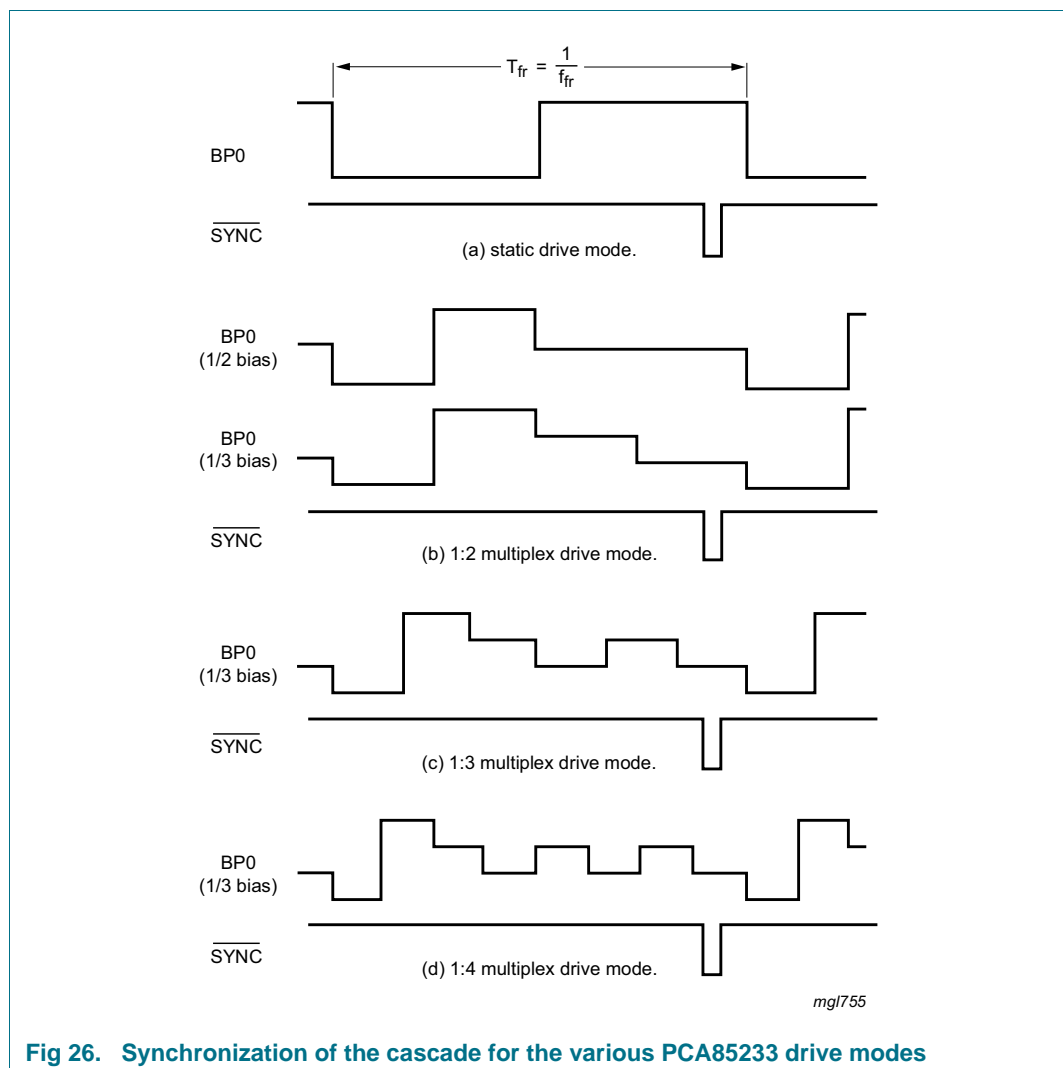


Fig 26. Synchronization of the cascade for the various PCA85233 drive modes

The contact resistance between the $\overline{\text{SYNC}}$ pins of cascaded devices must be controlled. If the resistance is too high, then the device will not be able to synchronize properly. This is particularly applicable to COG applications.

15. Test information

15.1 Quality information

This product has been qualified in accordance with the Automotive Electronics Council (AEC) standard *Q100 - Failure mechanism based stress test qualification for integrated circuits*, and is suitable for use in automotive applications.

16. Bare die outline

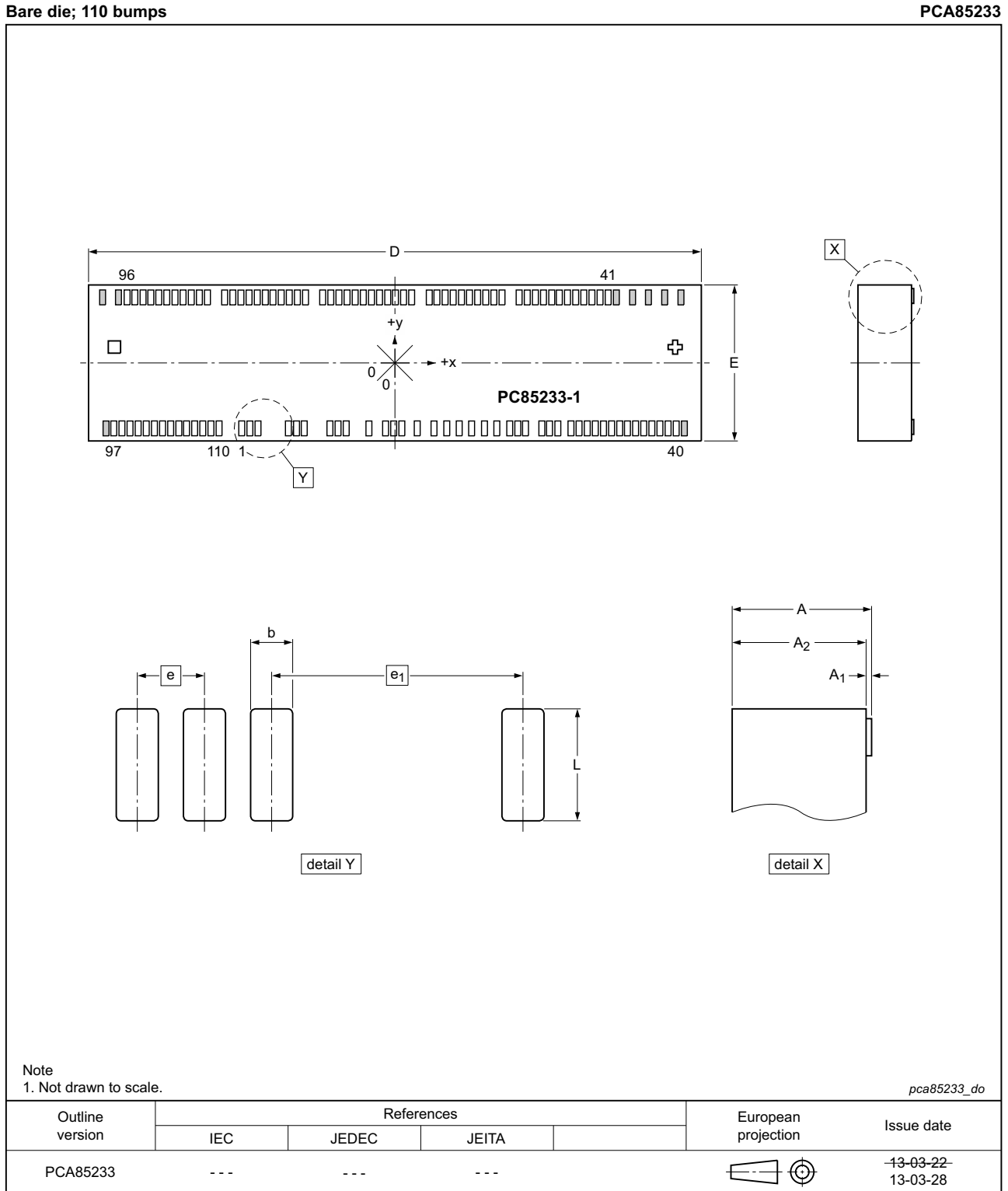


Fig 27. Bare die outline of PCA85233UG

Table 23. Dimensions of PCA85233UG

Original dimensions are in mm.

Unit (mm)	A	A ₁	A ₂	b	D	E	e	e ₁	L
max	-	0.018	-	-	-	-	-	-	-
nom	0.40	0.015	0.38	0.03	4.16	1.07	0.054	0.203	0.09
min	-	0.012	-	-	-	-	-	-	-

Table 24. Bump locations of PCA85233UG

All x/y coordinates represent the position of the center of each bump with respect to the center (x/y = 0) of the chip; see [Figure 27](#).

Symbol	Bump	X (μm)	Y (μm)	Description
SDAACK	1	-1022.67	-436.5	I ² C-bus acknowledge output
SDAACK	2	-968.67	-436.5	
SDAACK	3	-914.67	-436.5	
SDA	4	-712.17	-436.5	I ² C-bus serial data input
SDA	5	-658.17	-436.5	
SDA	6	-604.17	-436.5	
SCL	7	-433.17	-436.5	I ² C-bus serial clock input
SCL	8	-379.17	-436.5	
SCL	9	-325.17	-436.5	
CLK	10	-173.52	-436.5	clock input/output
V _{DD}	11	-61.47	-436.5	supply voltage
V _{DD}	12	-7.47	-436.5	
V _{DD}	13	46.53	-436.5	
SYN ^C	14	149.58	-436.5	cascade synchronization input/output
OSC	15	262.08	-436.5	oscillator select
FF	16	345.78	-436.5	frame frequency select
A0	17	429.48	-436.5	subaddress input
A1	18	513.18	-436.5	
T1	19	596.88	-436.5	test pin
SA0	20	680.58	-436.5	I ² C-bus slave address input; bit 0
V _{SS}	21	765.63	-436.5	ground supply voltage
V _{SS}	22	819.63	-436.5	
V _{SS}	23	873.63	-436.5	
V _{LCD}	24	979.83	-436.5	LCD supply voltage
V _{LCD}	25	1033.83	-436.5	
V _{LCD}	26	1087.83	-436.5	
BP2	27	1176.03	-436.5	LCD backplane output
BP0	28	1230.03	-436.5	
S0	29	1284.03	-436.5	LCD segment output
S1	30	1338.03	-436.5	
S2	31	1392.03	-436.5	
S3	32	1446.03	-436.5	

Table 24. Bump locations of PCA85233UG

All x/y coordinates represent the position of the center of each bump with respect to the center (x/y = 0) of the chip; see [Figure 27](#).

Symbol	Bump	X (μm)	Y (μm)	Description
S4	33	1500.03	-436.5	LCD segment output
S5	34	1554.03	-436.5	
S6	35	1608.03	-436.5	
S7	36	1662.03	-436.5	
S8	37	1716.03	-436.5	
S9	38	1770.03	-436.5	
S10	39	1824.03	-436.5	
S11	40	1878.03	-436.5	
S12	41	1423.53	436.5	
S13	42	1369.53	436.5	
S14	43	1315.53	436.5	
S15	44	1261.53	436.5	
S16	45	1207.53	436.5	
S17	46	1153.53	436.5	
S18	47	1099.53	436.5	
S19	48	1045.53	436.5	
S20	49	991.53	436.5	
S21	50	937.53	436.5	
S22	51	883.53	436.5	
S23	52	829.53	436.5	
S24	53	714.06	436.5	
S25	54	660.06	436.5	
S26	55	606.06	436.5	
S27	56	552.06	436.5	
S28	57	498.06	436.5	
S29	58	444.06	436.5	
S30	59	390.06	436.5	
S31	60	336.06	436.5	
S32	61	282.06	436.5	
S33	62	228.06	436.5	
S34	63	112.59	436.5	
S35	64	58.59	436.5	
S36	65	4.59	436.5	
S37	66	-49.41	436.5	
S38	67	-103.41	436.5	
S39	68	-157.41	436.5	
S40	69	-211.41	436.5	

Table 24. Bump locations of PCA85233UG

All x/y coordinates represent the position of the center of each bump with respect to the center (x/y = 0) of the chip; see [Figure 27](#).

Symbol	Bump	X (μm)	Y (μm)	Description
S41	70	-265.41	436.5	LCD segment output
S42	71	-319.41	436.5	
S43	72	-373.41	436.5	
S44	73	-427.41	436.5	
S45	74	-481.41	436.5	
S46	75	-596.88	436.5	
S47	76	-650.88	436.5	
S48	77	-704.88	436.5	
S49	78	-758.88	436.5	
S50	79	-812.88	436.5	
S51	80	-866.88	436.5	
S52	81	-920.88	436.5	
S53	82	-974.88	436.5	
S54	83	-1028.88	436.5	
S55	84	-1082.88	436.5	
S56	85	-1136.88	436.5	
S57	86	-1252.35	436.5	
S58	87	-1306.35	436.5	
S59	88	-1360.35	436.5	
S60	89	-1414.35	436.5	
S61	90	-1468.35	436.5	
S62	91	-1522.35	436.5	
S63	92	-1576.35	436.5	
S64	93	-1630.35	436.5	
S65	94	-1684.35	436.5	
S66	95	-1738.35	436.5	
S67	96	-1792.35	436.5	
S68	97	-1876.05	-436.5	
S69	98	-1822.05	-436.5	
S70	99	-1768.05	-436.5	
S71	100	-1714.05	-436.5	
S72	101	-1660.05	-436.5	
S73	102	-1606.05	-436.5	
S74	103	-1552.05	-436.5	
S75	104	-1498.05	-436.5	
S76	105	-1444.05	-436.5	
S77	106	-1390.05	-436.5	
S78	107	-1336.05	-436.5	
S79	108	-1282.05	-436.5	

Table 24. Bump locations of PCA85233UG

All x/y coordinates represent the position of the center of each bump with respect to the center (x/y = 0) of the chip; see [Figure 27](#).

Symbol	Bump	X (μm)	Y (μm)	Description
BP3	109	-1228.05	-436.5	LCD backplane output
BP1	110	-1174.05	-436.5	
D1	-	1932.03	-436.5	dummy pad ^[2]
D2	-	1909.53	436.5	
D3	-	1801.53	436.5	
D4	-	1693.53	436.5	
D5	-	1585.53	436.5	
D6	-	1477.53	436.5	
D7	-	-1846.35	436.5	
D8	-	-1953	436.5	
D9	-	-1930.05	-436.5	

[1] For most applications SDA and SDAACK are shorted together; see [Section 8](#).

[2] The dummy pads are connected to V_{SS} but are not tested.

Table 25. Gold bump hardness

Type number	Min	Max	Unit ^[1]
PCA85233UG/2DA/Q1	60	120	HV

[1] Pressure of diamond head: 10 g to 50 g.

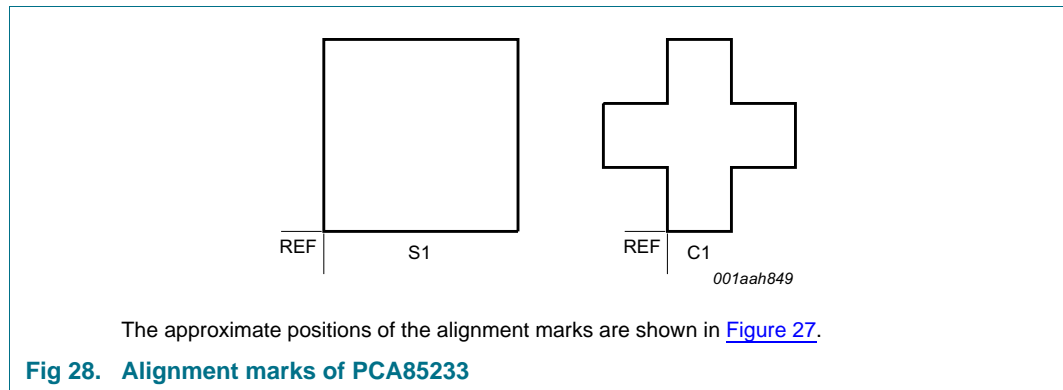


Table 26. Alignment mark locations

All x/y coordinates represent the position of the REF point (see [Figure 28](#)) with respect to the center (x/y = 0) of the chip; see [Figure 27](#).

Symbol	Size (μm)	X (μm)	Y (μm)
S1	81 × 81	-1916.1	45
C1	81 × 81	1855.8	45

17. Handling information

All input and output pins are protected against ElectroStatic Discharge (ESD) under normal handling. When handling Metal-Oxide Semiconductor (MOS) devices ensure that all normal precautions are taken as described in *JESD625-A*, *IEC 61340-5* or equivalent standards.

18. Packing information

18.1 Packing information on the tray

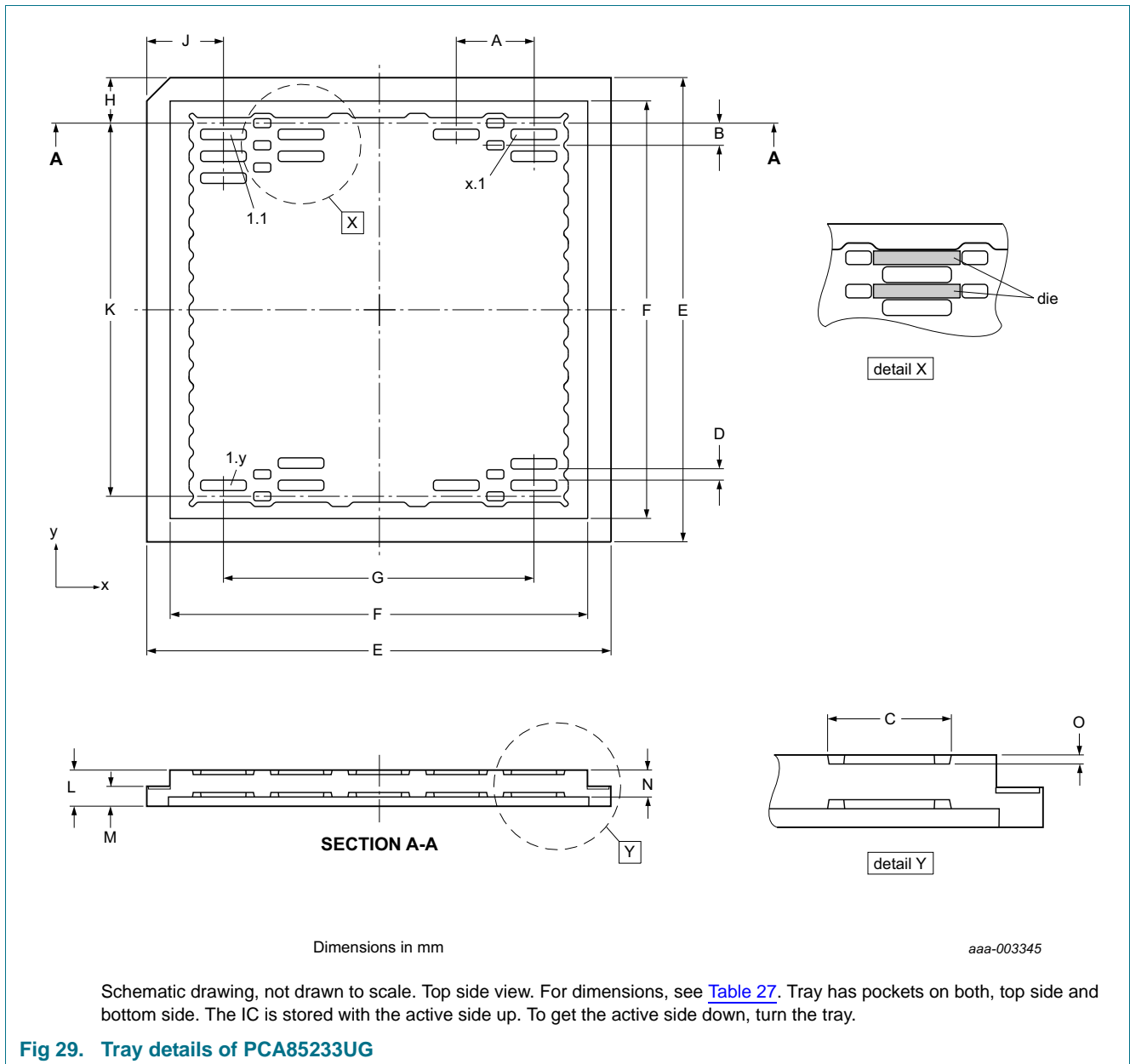
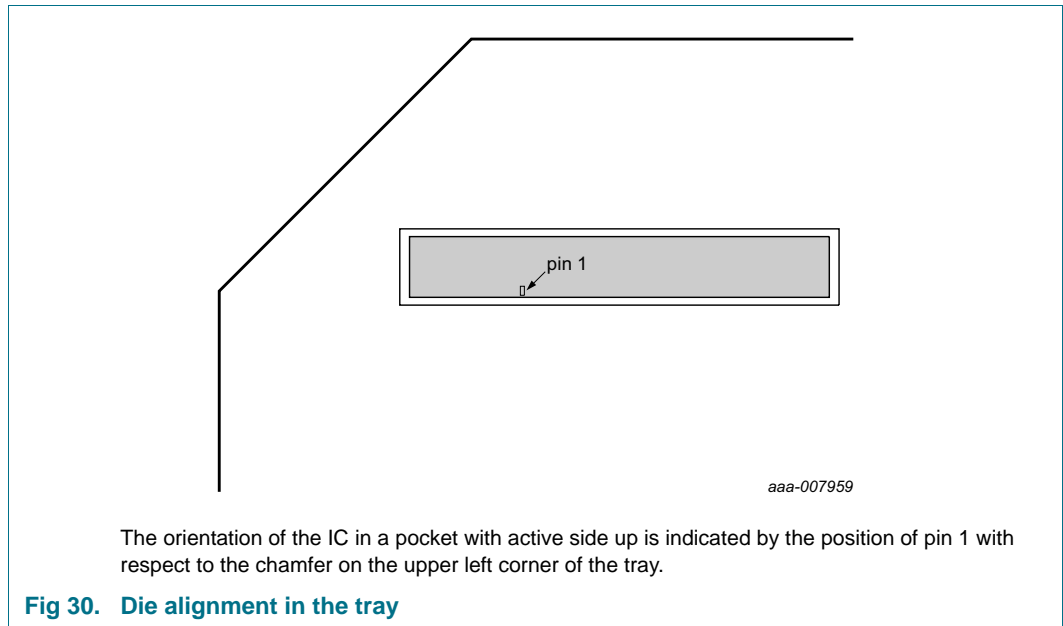


Table 27. Specification of 3 inch tray details

Tray details are shown in [Figure 29](#). Nominal values without production tolerances.

Tray details														
Dimensions														
A	B	C	D	E	F	G	H	J	K	L	M	N	O	Unit
6.0	2.5	4.26	1.17	76.0	68.0	60.0	6.75	8.0	62.5	4.2	2.6	3.2	0.48	mm
Number of pockets														
x direction							y direction							
11							26							



19. Appendix

19.1 LCD segment driver selection

Table 28. Selection of LCD segment drivers

Type name	Number of elements at MUX							V _{DD} (V)	V _{LCD} (V)	f _{fr} (Hz)	V _{LCD} (V) charge pump	V _{LCD} (V) temperature compensat.	T _{amb} (°C)	Interface	Package	AEC- Q100
	1:1	1:2	1:3	1:4	1:6	1:8	1:9									
PCA8553DDT	40	80	120	160	-	-	-	1.8 to 5.5	1.8 to 5.5	32 to 256 ^[1]	N	N	-40 to 105	I ² C / SPI	TSSOP56	Y
PCA8546ATT	-	-	-	176	-	-	-	1.8 to 5.5	2.5 to 9	60 to 300 ^[1]	N	N	-40 to 95	I ² C	TSSOP56	Y
PCA8546BTT	-	-	-	176	-	-	-	1.8 to 5.5	2.5 to 9	60 to 300 ^[1]	N	N	-40 to 95	SPI	TSSOP56	Y
PCA8547AHT	44	88	-	176	-	-	-	1.8 to 5.5	2.5 to 9	60 to 300 ^[1]	Y	Y	-40 to 95	I ² C	TQFP64	Y
PCA8547BHT	44	88	-	176	-	-	-	1.8 to 5.5	2.5 to 9	60 to 300 ^[1]	Y	Y	-40 to 95	SPI	TQFP64	Y
PCF85134HL	60	120	180	240	-	-	-	1.8 to 5.5	2.5 to 6.5	82	N	N	-40 to 85	I ² C	LQFP80	N
PCA85134H	60	120	180	240	-	-	-	1.8 to 5.5	2.5 to 8	82	N	N	-40 to 95	I ² C	LQFP80	Y
PCA8543AHL	60	120	-	240	-	-	-	2.5 to 5.5	2.5 to 9	60 to 300 ^[1]	Y	Y	-40 to 105	I ² C	LQFP80	Y
PCF8545ATT	-	-	-	176	252	320	-	1.8 to 5.5	2.5 to 5.5	60 to 300 ^[1]	N	N	-40 to 85	I ² C	TSSOP56	N
PCF8545BTT	-	-	-	176	252	320	-	1.8 to 5.5	2.5 to 5.5	60 to 300 ^[1]	N	N	-40 to 85	SPI	TSSOP56	N
PCF8536AT	-	-	-	176	252	320	-	1.8 to 5.5	2.5 to 9	60 to 300 ^[1]	N	N	-40 to 85	I ² C	TSSOP56	N
PCF8536BT	-	-	-	176	252	320	-	1.8 to 5.5	2.5 to 9	60 to 300 ^[1]	N	N	-40 to 85	SPI	TSSOP56	N
PCA8536AT	-	-	-	176	252	320	-	1.8 to 5.5	2.5 to 9	60 to 300 ^[1]	N	N	-40 to 95	I ² C	TSSOP56	Y
PCA8536BT	-	-	-	176	252	320	-	1.8 to 5.5	2.5 to 9	60 to 300 ^[1]	N	N	-40 to 95	SPI	TSSOP56	Y
PCF8537AH	44	88	-	176	276	352	-	1.8 to 5.5	2.5 to 9	60 to 300 ^[1]	Y	Y	-40 to 85	I ² C	TQFP64	N
PCF8537BH	44	88	-	176	276	352	-	1.8 to 5.5	2.5 to 9	60 to 300 ^[1]	Y	Y	-40 to 85	SPI	TQFP64	N
PCA8537AH	44	88	-	176	276	352	-	1.8 to 5.5	2.5 to 9	60 to 300 ^[1]	Y	Y	-40 to 95	I ² C	TQFP64	Y
PCA8537BH	44	88	-	176	276	352	-	1.8 to 5.5	2.5 to 9	60 to 300 ^[1]	Y	Y	-40 to 95	SPI	TQFP64	Y
PCA9620H	60	120	-	240	320	480	-	2.5 to 5.5	2.5 to 9	60 to 300 ^[1]	Y	Y	-40 to 105	I ² C	LQFP80	Y
PCA9620U	60	120	-	240	320	480	-	2.5 to 5.5	2.5 to 9	60 to 300 ^[1]	Y	Y	-40 to 105	I ² C	Bare die	Y
PCF8576DU	40	80	120	160	-	-	-	1.8 to 5.5	2.5 to 6.5	77	N	N	-40 to 85	I ² C	Bare die	N
PCF8576EUG	40	80	120	160	-	-	-	1.8 to 5.5	2.5 to 6.5	77	N	N	-40 to 85	I ² C	Bare die	N
PCA8576FUG	40	80	120	160	-	-	-	1.8 to 5.5	2.5 to 8	200	N	N	-40 to 105	I ² C	Bare die	Y
PCF85133U	80	160	240	320	-	-	-	1.8 to 5.5	2.5 to 6.5	82, 110 ^[2]	N	N	-40 to 85	I ² C	Bare die	N
PCA85133U	80	160	240	320	-	-	-	1.8 to 5.5	2.5 to 8	82, 110 ^[2]	N	N	-40 to 95	I ² C	Bare die	Y

Table 28. Selection of LCD segment drivers ...continued

Type name	Number of elements at MUX							V _{DD} (V)	V _{LCD} (V)	f _{fr} (Hz)	V _{LCD} (V) charge pump	V _{LCD} (V) temperature compensat.	T _{amb} (°C)	Interface	Package	AEC- Q100
	1:1	1:2	1:3	1:4	1:6	1:8	1:9									
PCA85233UG	80	160	240	320	-	-	-	1.8 to 5.5	2.5 to 8	150, 220 ^[2]	N	N	-40 to 105	I ² C	Bare die	Y
PCF85132U	160	320	480	640	-	-	-	1.8 to 5.5	1.8 to 8	60 to 90 ^[1]	N	N	-40 to 85	I ² C	Bare die	N
PCA8530DUG	102	204	-	408	-	-	-	2.5 to 5.5	4 to 12	45 to 300 ^[1]	Y	Y	-40 to 105	I ² C / SPI	Bare die	Y
PCA85132U	160	320	480	640	-	-	-	1.8 to 5.5	1.8 to 8	60 to 90 ^[1]	N	N	-40 to 95	I ² C	Bare die	Y
PCA85232U	160	320	480	640	-	-	-	1.8 to 5.5	1.8 to 8	117 to 176 ^[1]	N	N	-40 to 95	I ² C	Bare die	Y
PCF8538UG	102	204	-	408	612	816	918	2.5 to 5.5	4 to 12	45 to 300 ^[1]	Y	Y	-40 to 85	I ² C / SPI	Bare die	N
PCA8538UG	102	204	-	408	612	816	918	2.5 to 5.5	4 to 12	45 to 300 ^[1]	Y	Y	-40 to 105	I ² C / SPI	Bare die	Y

[1] Software programmable.

[2] Hardware selectable.

20. Abbreviations

Table 29. Abbreviations

Acronym	Description
CMOS	Complementary Metal-Oxide Semiconductor
COG	Chip-On-Glass
DC	Direct Current
HBM	Human Body Model
I ² C	Inter-Integrated Circuit
IC	Integrated Circuit
ITO	Indium Tin Oxide
LCD	Liquid Crystal Display
MM	Machine Model
RAM	Random Access Memory
RC	Resistance-Capacitance
RMS	Root Mean Square

21. References

- [1] **AN10170** — Design guidelines for COG modules with NXP monochrome LCD drivers
- [2] **AN10706** — Handling bare die
- [3] **AN10853** — ESD and EMC sensitivity of IC
- [4] **AN11267** — EMC and system level ESD design guidelines for LCD drivers
- [5] **AN11494** — Cascading NXP LCD segment drivers
- [6] **IEC 60134** — Rating systems for electronic tubes and valves and analogous semiconductor devices
- [7] **IEC 61340-5** — Protection of electronic devices from electrostatic phenomena
- [8] **JESD22-A114** — Electrostatic Discharge (ESD) Sensitivity Testing Human Body Model (HBM)
- [9] **JESD22-A115** — Electrostatic Discharge (ESD) Sensitivity Testing Machine Model (MM)
- [10] **JESD78** — IC Latch-Up Test
- [11] **JESD625-A** — Requirements for Handling Electrostatic-Discharge-Sensitive (ESDS) Devices
- [12] **UM10204** — I²C-bus specification and user manual
- [13] **UM10569** — Store and transport requirements

22. Revision history

Table 30. Revision history

Document ID	Release date	Data sheet status	Change notice	Supersedes
PCA85233 v.5	20181112	Product data sheet	201811011I	PCA85233 v.4
Modifications:	<ul style="list-style-type: none"> Updated Section 7.4 "Initialization" 			
PCA85233 v.4	20150506	Product data sheet	-	PCA85233 v.3
Modifications:	<ul style="list-style-type: none"> Added rear side laser marking 			
PCA85233 v.3	20140926	Product data sheet	-	PCA85233 v.2
PCA85233 v.2	20140327	Product data sheet	-	PCA85233 v.1
PCA85233 v.1	20130917	Product data sheet	-	-

23. Legal information

23.1 Data sheet status

Document status ^{[1][2]}	Product status ^[3]	Definition
Objective [short] data sheet	Development	This document contains data from the objective specification for product development.
Preliminary [short] data sheet	Qualification	This document contains data from the preliminary specification.
Product [short] data sheet	Production	This document contains the product specification.

[1] Please consult the most recently issued document before initiating or completing a design.

[2] The term 'short data sheet' is explained in section "Definitions".

[3] The product status of device(s) described in this document may have changed since this document was published and may differ in case of multiple devices. The latest product status information is available on the Internet at URL <http://www.nxp.com>.

23.2 Definitions

Draft — The document is a draft version only. The content is still under internal review and subject to formal approval, which may result in modifications or additions. NXP Semiconductors does not give any representations or warranties as to the accuracy or completeness of information included herein and shall have no liability for the consequences of use of such information.

Short data sheet — A short data sheet is an extract from a full data sheet with the same product type number(s) and title. A short data sheet is intended for quick reference only and should not be relied upon to contain detailed and full information. For detailed and full information see the relevant full data sheet, which is available on request via the local NXP Semiconductors sales office. In case of any inconsistency or conflict with the short data sheet, the full data sheet shall prevail.

Product specification — The information and data provided in a Product data sheet shall define the specification of the product as agreed between NXP Semiconductors and its customer, unless NXP Semiconductors and customer have explicitly agreed otherwise in writing. In no event however, shall an agreement be valid in which the NXP Semiconductors product is deemed to offer functions and qualities beyond those described in the Product data sheet.

23.3 Disclaimers

Limited warranty and liability — Information in this document is believed to be accurate and reliable. However, NXP Semiconductors does not give any representations or warranties, expressed or implied, as to the accuracy or completeness of such information and shall have no liability for the consequences of use of such information. NXP Semiconductors takes no responsibility for the content in this document if provided by an information source outside of NXP Semiconductors.

In no event shall NXP Semiconductors be liable for any indirect, incidental, punitive, special or consequential damages (including - without limitation - lost profits, lost savings, business interruption, costs related to the removal or replacement of any products or rework charges) whether or not such damages are based on tort (including negligence), warranty, breach of contract or any other legal theory.

Notwithstanding any damages that customer might incur for any reason whatsoever, NXP Semiconductors' aggregate and cumulative liability towards customer for the products described herein shall be limited in accordance with the *Terms and conditions of commercial sale* of NXP Semiconductors.

Right to make changes — NXP Semiconductors reserves the right to make changes to information published in this document, including without limitation specifications and product descriptions, at any time and without notice. This document supersedes and replaces all information supplied prior to the publication hereof.

Suitability for use in automotive applications — This NXP Semiconductors product has been qualified for use in automotive applications. Unless otherwise agreed in writing, the product is not designed, authorized or warranted to be suitable for use in life support, life-critical or safety-critical systems or equipment, nor in applications where failure or malfunction of an NXP Semiconductors product can reasonably be expected to result in personal injury, death or severe property or environmental damage. NXP Semiconductors and its suppliers accept no liability for inclusion and/or use of NXP Semiconductors products in such equipment or applications and therefore such inclusion and/or use is at the customer's own risk.

Applications — Applications that are described herein for any of these products are for illustrative purposes only. NXP Semiconductors makes no representation or warranty that such applications will be suitable for the specified use without further testing or modification.

Customers are responsible for the design and operation of their applications and products using NXP Semiconductors products, and NXP Semiconductors accepts no liability for any assistance with applications or customer product design. It is customer's sole responsibility to determine whether the NXP Semiconductors product is suitable and fit for the customer's applications and products planned, as well as for the planned application and use of customer's third party customer(s). Customers should provide appropriate design and operating safeguards to minimize the risks associated with their applications and products.

NXP Semiconductors does not accept any liability related to any default, damage, costs or problem which is based on any weakness or default in the customer's applications or products, or the application or use by customer's third party customer(s). Customer is responsible for doing all necessary testing for the customer's applications and products using NXP Semiconductors products in order to avoid a default of the applications and the products or of the application or use by customer's third party customer(s). NXP does not accept any liability in this respect.

Limiting values — Stress above one or more limiting values (as defined in the Absolute Maximum Ratings System of IEC 60134) will cause permanent damage to the device. Limiting values are stress ratings only and (proper) operation of the device at these or any other conditions above those given in the Recommended operating conditions section (if present) or the Characteristics sections of this document is not warranted. Constant or repeated exposure to limiting values will permanently and irreversibly affect the quality and reliability of the device.

Terms and conditions of commercial sale — NXP Semiconductors products are sold subject to the general terms and conditions of commercial sale, as published at <http://www.nxp.com/profile/terms>, unless otherwise agreed in a valid written individual agreement. In case an individual agreement is concluded only the terms and conditions of the respective agreement shall apply. NXP Semiconductors hereby expressly objects to applying the customer's general terms and conditions with regard to the purchase of NXP Semiconductors products by customer.

No offer to sell or license — Nothing in this document may be interpreted or construed as an offer to sell products that is open for acceptance or the grant, conveyance or implication of any license under any copyrights, patents or other industrial or intellectual property rights.

Export control — This document as well as the item(s) described herein may be subject to export control regulations. Export might require a prior authorization from competent authorities.

Translations — A non-English (translated) version of a document is for reference only. The English version shall prevail in case of any discrepancy between the translated and English versions.

Bare die — All die are tested on compliance with their related technical specifications as stated in this data sheet up to the point of wafer sawing and are handled in accordance with the NXP Semiconductors storage and transportation conditions. If there are data sheet limits not guaranteed, these will be separately indicated in the data sheet. There are no post-packing tests performed on individual die or wafers.

NXP Semiconductors has no control of third party procedures in the sawing, handling, packing or assembly of the die. Accordingly, NXP Semiconductors assumes no liability for device functionality or performance of the die or systems after third party sawing, handling, packing or assembly of the die. It is the responsibility of the customer to test and qualify their application in which the die is used.

All die sales are conditioned upon and subject to the customer entering into a written die sale agreement with NXP Semiconductors through its legal department.

23.4 Trademarks

Notice: All referenced brands, product names, service names and trademarks are the property of their respective owners.

I²C-bus — logo is a trademark of NXP B.V.

24. Contact information

For more information, please visit: <http://www.nxp.com>

For sales office addresses, please send an email to: salesaddresses@nxp.com

25. Tables

Table 1.	Ordering information	2
Table 2.	Ordering options	2
Table 3.	Marking codes	2
Table 4.	Pin description overview	4
Table 5.	Definition of commands	5
Table 6.	Mode-set command bit description	5
Table 7.	Load-data-pointer command bit description	5
Table 8.	Device-select command bit description	6
Table 9.	Bank-select command bit description ^[1]	6
Table 10.	Blink-select command bit description	6
Table 11.	LCD frame frequencies	7
Table 12.	Blink frequencies	8
Table 13.	Standard RAM filling in 1:3 multiplex drive mode	11
Table 14.	Entire RAM filling by rewriting in 1:3 multiplex drive mode	12
Table 15.	Selection of possible display configurations	14
Table 16.	Biasing characteristics	15
Table 17.	I ² C slave address byte	26
Table 18.	Control byte description	28
Table 19.	Limiting values	30
Table 20.	Static characteristics	31
Table 21.	Dynamic characteristics	33
Table 22.	Addressing cascaded PCA85233	36
Table 23.	Dimensions of PCA85233UG	40
Table 24.	Bump locations of PCA85233UG	40
Table 25.	Gold bump hardness	43
Table 26.	Alignment mark locations	43
Table 27.	Specification of 3 inch tray details	45
Table 28.	Selection of LCD segment drivers	46
Table 29.	Abbreviations	48
Table 30.	Revision history	49

26. Figures

Fig 1.	Rear side laser marking	2
Fig 2.	Block diagram of PCA85233	3
Fig 3.	Pin configuration for PCA85233	4
Fig 4.	Display RAM bitmap	9
Fig 5.	Relationships between LCD layout, drive mode, display RAM filling order, and display data transmitted over the I ² C-bus	10
Fig 6.	Example of displays suitable for PCA85233	14
Fig 7.	Typical system configuration	15
Fig 8.	Electro-optical characteristic: relative transmission curve of the liquid	17
Fig 9.	Static drive mode waveforms	18
Fig 10.	Waveforms for the 1:2 multiplex drive mode with 1/2 bias	19
Fig 11.	Waveforms for the 1:2 multiplex drive mode with 1/3 bias	20
Fig 12.	Waveforms for the 1:3 multiplex drive mode with 1/3 bias	21
Fig 13.	Waveforms for the 1:4 multiplex drive mode with 1/3 bias	22
Fig 14.	Bit transfer	24
Fig 15.	Definition of START and STOP conditions.	25
Fig 16.	System configuration	25
Fig 17.	Acknowledgement on the I ² C-bus	26
Fig 18.	I ² C-bus protocol	27
Fig 19.	Control byte format	27
Fig 20.	Device protection diagram	28
Fig 21.	Current consumption with respect to external clock frequency	32
Fig 22.	Frame frequency with respect to temperature	34
Fig 23.	Driver timing waveforms	35
Fig 24.	I ² C-bus timing waveforms	35
Fig 25.	Cascaded PCA85233 configuration	36
Fig 26.	Synchronization of the cascade for the various PCA85233 drive modes	37
Fig 27.	Bare die outline of PCA85233UG	39
Fig 28.	Alignment marks of PCA85233	43
Fig 29.	Tray details of PCA85233UG	44
Fig 30.	Die alignment in the tray	45

27. Contents

1	General description	1	11	Limiting values	30
2	Features and benefits	1	12	Static characteristics	31
3	Ordering information	2	13	Dynamic characteristics	33
3.1	Ordering options	2	14	Application information	35
4	Marking	2	14.1	Cascaded operation	35
5	Block diagram	3	15	Test information	38
6	Pinning information	4	15.1	Quality information	38
6.1	Pinning	4	16	Bare die outline	39
6.2	Pin description	4	17	Handling information	44
7	Functional description	5	18	Packing information	44
7.1	Commands of PCA85233	5	18.1	Packing information on the tray	44
7.2	Clock and frame frequency	6	19	Appendix	46
7.2.1	Oscillator	6	19.1	LCD segment driver selection	46
7.2.1.1	Internal clock	7	20	Abbreviations	48
7.2.1.2	External clock	7	21	References	48
7.2.2	Frame frequency	7	22	Revision history	49
7.2.3	Blinking	7	23	Legal information	50
7.3	Display RAM	8	23.1	Data sheet status	50
7.3.1	Data pointer	11	23.2	Definitions	50
7.3.2	Subaddress counter	11	23.3	Disclaimers	50
7.3.3	RAM writing in 1:3 multiplex drive mode	11	23.4	Trademarks	51
7.3.4	Writing over the RAM address boundary	12	24	Contact information	51
7.3.5	Output bank selector	12	25	Tables	52
7.3.6	Input bank selector	13	26	Figures	53
7.4	Initialization	13	27	Contents	54
7.5	Possible display configurations	14			
7.6	LCD bias generator	15			
7.7	LCD voltage selector	15			
7.7.1	Electro-optical performance	17			
7.8	LCD drive mode waveforms	18			
7.8.1	Static drive mode	18			
7.8.2	1:2 Multiplex drive mode	19			
7.8.3	1:3 Multiplex drive mode	21			
7.8.4	1:4 Multiplex drive mode	22			
7.9	Backplane outputs	23			
7.10	Segment outputs	23			
8	Characteristics of the I²C-bus	24			
8.1	Bit transfer	24			
8.2	START and STOP conditions	24			
8.3	System configuration	25			
8.4	Acknowledge	25			
8.5	I ² C-bus controller	26			
8.6	Input filters	26			
8.7	I ² C-bus protocol	26			
9	Internal circuitry	28			
10	Safety notes	29			

Please be aware that important notices concerning this document and the product(s) described herein, have been included in section 'Legal information'.