

Light is OSRAM

OSRAM

Our Brand

LED ENGIN



Product End-of-Life (EOL) Notification

Affected Part Number(s):	EOL No.
LZP-00UB00-00Ux where x = 4, 5, 6, 7, 8; LZP-D0UB00-00Ux; custom variants	31

Part Description:	Date:
LZP UB emitter for wavelengths U4-U8; LZP UB emitter on MCPCB; custom variants	8/22/2019

Recommended Replacement Part Number(s):
LZP-00UB0R-00Ux where x = 4, 5, 6, 7, 8; LZP-D0UB0R-00Ux;

Reason for EOL:

Die supplier has a planned EOL and is upgrading to a newer generation of higher radiant flux dies with reversed electrical polarity.

Last Order Date:	Last Shipment Date:
8/30/2019	11/30/2019

Disposition of Existing Inventory

Use up current inventory. No returns to factory.

NOTE:

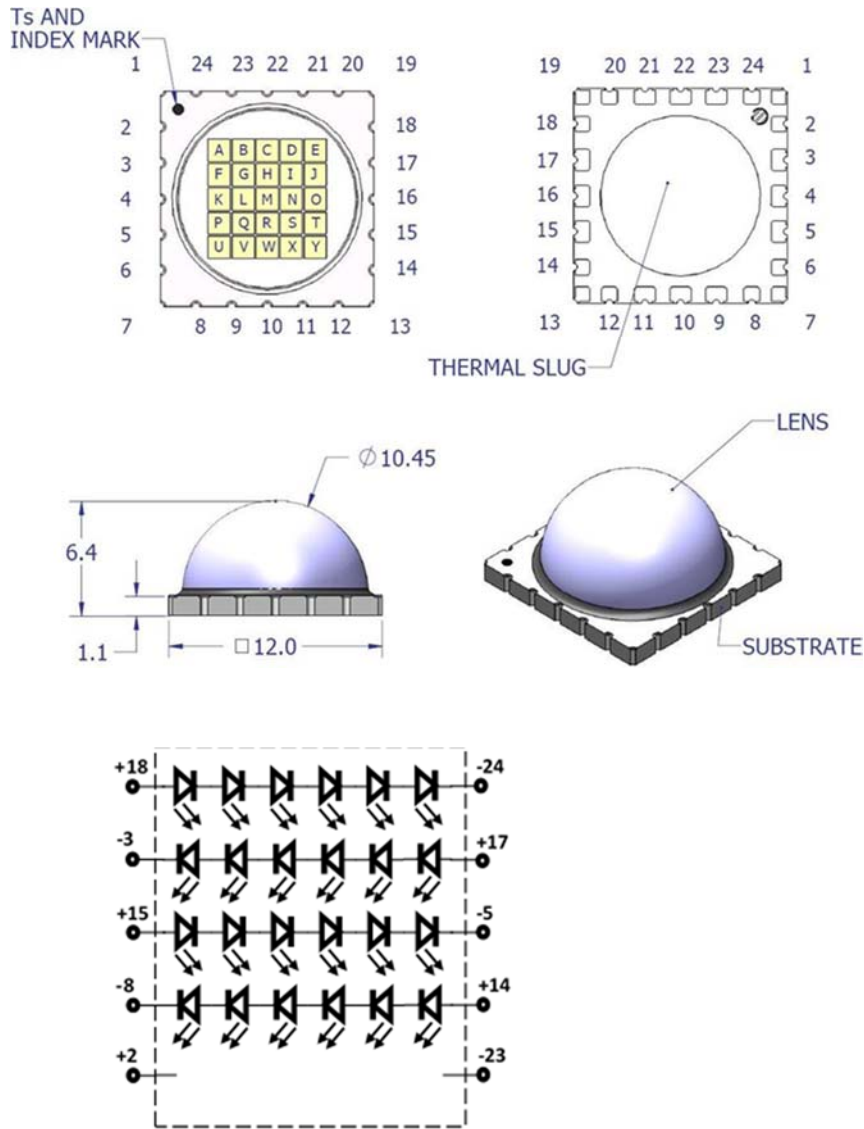
The replacement part is a new part number, with reversed electrical pinout and new datasheet.

CONTACT PERSON:

Ishita Goswami
Product Manager
651 River Oaks Parkway
San Jose, CA 95134
i.goswami@osram.com
www.osram.us/ledengin

EOL PRODUCT

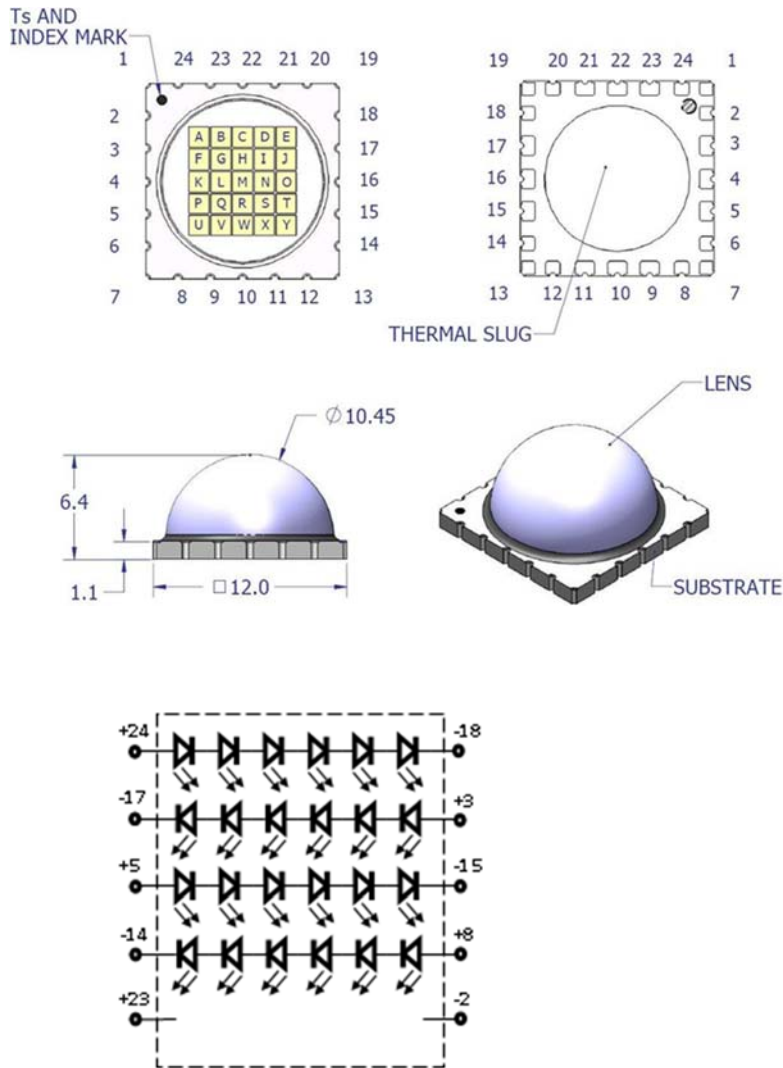
LZP-00UB00-00Ux, where x = 4, 5, 6, 7, 8



Pin Out				
Ch.	Pad	Die	Color	Function
1	18	E	UB	Anode
		D	UB	na
		C	UB	na
		B	UB	na
		A	UB	na
2	24	F	UB	Cathode
	17	J	UB	Anode
		I	UB	na
		H	UB	na
		G	UB	na
3		L	UB	na
	3	K	UB	Cathode
	15	O	UB	Anode
		N	UB	na
		S	UB	na
4		R	UB	na
		Q	UB	na
	5	P	UB	Cathode
	14	T	UB	Anode
		Y	UB	na
5		X	UB	na
		W	UB	na
		V	UB	na
	8	U	UB	Cathode
	2	M	-	na
	23	M	-	na

REPLACEMENT PRODUCT

LZP-00UB0R-00Ux, where x = 4, 5, 6, 7, 8

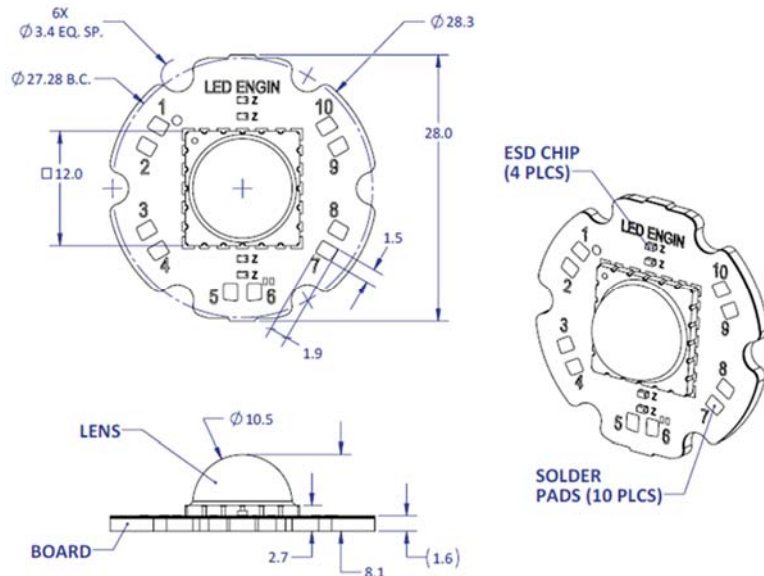


Pin Out				
Ch.	Pad	Die	Color	Function
1	18	E	CW	Cathode
		D	CW	na
		C	CW	na
		B	CW	na
		A	CW	na
2	24	F	CW	Anode
	17	J	CW	Cathode
		I	CW	na
		H	CW	na
		G	CW	na
3	3	K	CW	Anode
	15	O	CW	Cathode
		N	CW	na
		S	CW	na
		R	CW	na
4	5	P	CW	Anode
	14	T	CW	Cathode
		Y	CW	na
		X	CW	na
		W	CW	na
5	8	U	CW	Anode
	2	M	-	na
	23	M	-	na

Please refer to product datasheets for additional details.

EOL PRODUCT

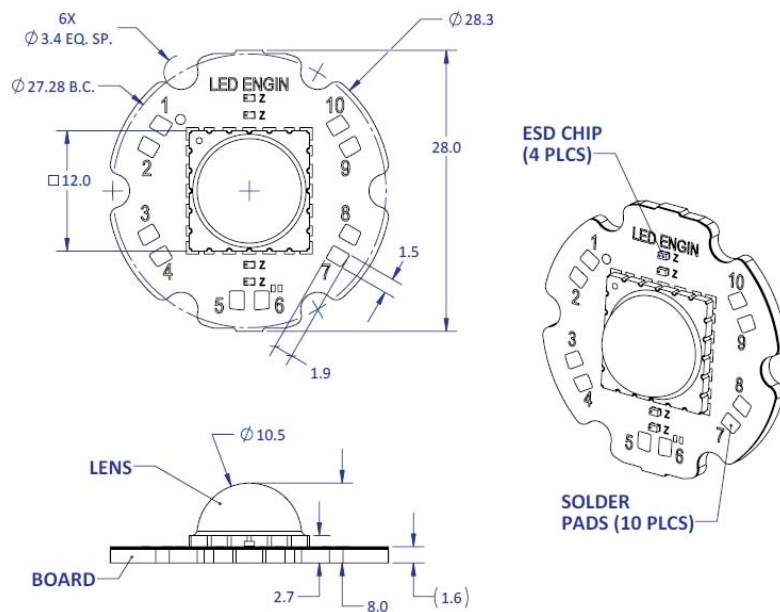
LZP-D0UB00-00Ux, where x = 4, 5, 6, 7, 8



Pad layout			
Ch.	MCPCB Pad	String/die	Function
1	1	1/EDCBAF	Cathode -
	10		Anode +
2	2	2/JIHGLK	Cathode -
	9		Anode +
3	3	3/ONS RQP	Cathode -
	8		Anode +
4	4	4/TYXWVU	Cathode -
	7		Anode +
5	5	5/M	N/A
	6		N/A

REPLACEMENT PRODUCT

LZP-D0UB0R-00Ux, where x = 4, 5, 6, 7, 8



Pad layout			
Ch.	MCPCB Pad	String/die	Function
1	1	1/EDCBAF	Anode +
	10		Cathode -
2	2	2/JIHGLK	Anode +
	9		Cathode -
3	3	3/ONS RQP	Anode +
	8		Cathode -
4	4	4/TYXWVU	Anode +
	7		Cathode -
5	5	5/M	N/A
	6		N/A

