

DO NOT SCALE FROM THIS PRINT

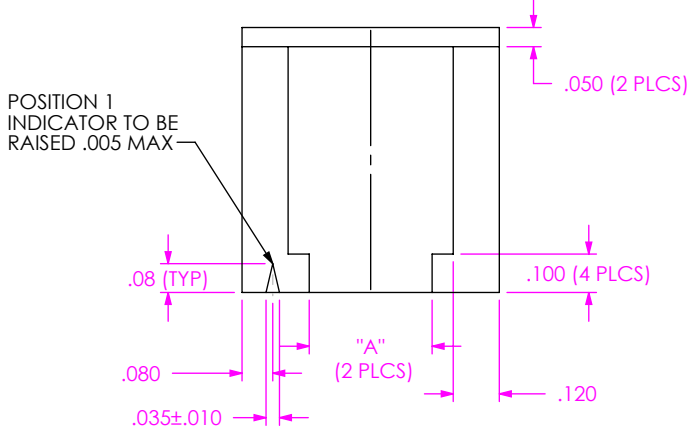


TABLE 1

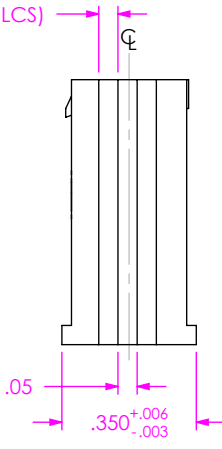
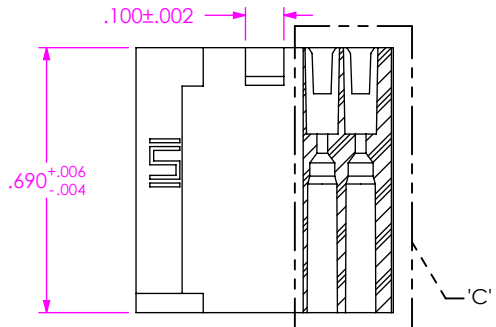
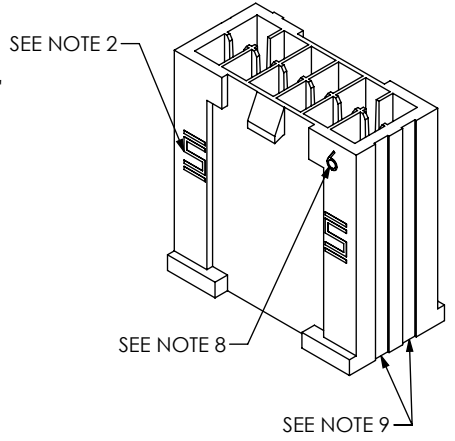
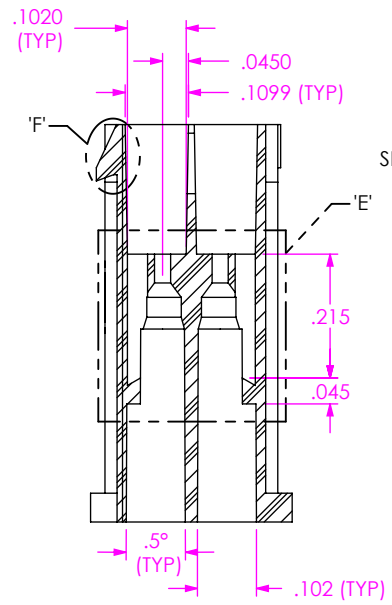
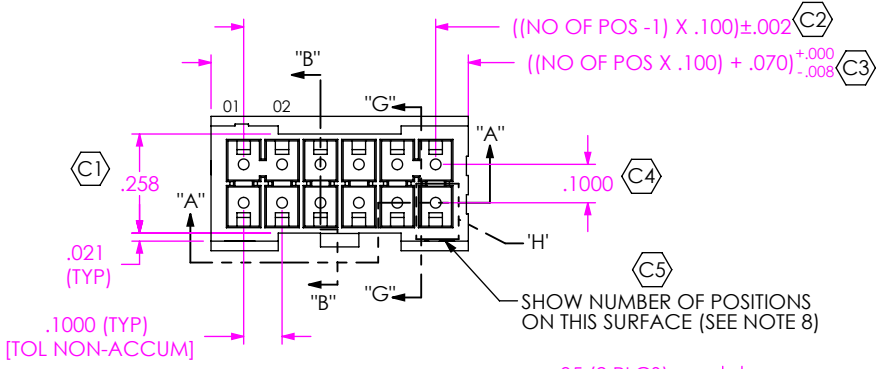
POSITIONS	"A"
-04	.220
-05 THRU -25	.320

No OF POSITIONS
-02 THRU -25
(PER ROW)

OPTIONS
(LEAVE BLANK FOR NO OPTIONS)
-GP: GUIDE POST (SEE SHT 4, FIG 5)
(ONLY AVAILABLE ON DOUBLE ROW)
*-SF: SPLASH FLANGE
(COLOR: BLACK;
-03, -04, & -05 TOOLED ONLY;
NOT AVAILABE WITH -S OR -GP)

ROW SPECIFICATION
-D: DOUBLE
-S: SINGLE (SEE SHT 3, FIG 2 & 3)

FIG 1
IPM1-06-D SHOWN



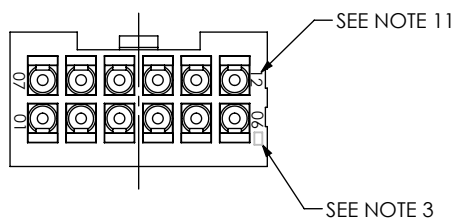
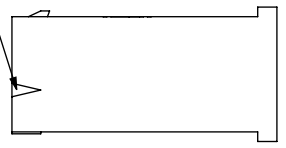
SECTION "B"- "B"
SCALE 3 : 1

SECTION "A"- "A"
SCALE 2 : 1

NOTES:

1. Ⓢ REPRESENTS A CRITICAL DIMENSION.
2. SAMTEC LOGO SHALL APPEAR AT TWO EQUALLY SPACED LOCATIONS ON SURFACE SHOWN, APPROXIMATELY .094[2.39] x .055[1.40].
3. ALL MULTIPLE CAVITY MOLDS SHALL IDENTIFY EACH CAVITY WITH A DOT DESIGNATION LOCATED WHERE SHOWN.
4. ALL IDENTIFICATION MARKS MUST NOT STAND GREATER THAN .002[0.05] OFF THE SURFACE OF THE PART.
5. MOLDED SURFACES SHALL BE CONSISTENT AND SMOOTH. SURFACES TO BE FREE OF SCRATCHES, NICKS, SINK AREAS, VOIDS OR OTHER BLEMISHES.
6. MAXIMUM ALLOWABLE BOW; TOP/BOTTOM: .0025[0.064], SIDE/SIDE: .0020[0.051].
7. PART TO BE SYMMETRIC ABOUT CENTERLINE WITHIN ±.002 UNLESS INDICATED OTHERWISE.
8. NUMBER OF POSITIONS (PER ROW) TO BE SHOWN IN THIS AREA EXCLUDING 2, 3, & 4 POSITIONS. SIZE SIMILAR TO POSITION 1 INDICATOR.
9. GATE PADS MUST BE RECESSED .005.
10. END CORES ARE POLARIZED. CONFIRM GEOMETRY RELATIVE TO POSITION 1 INDICATOR & GATE PADS.
11. END POSITIONS TO BE SPECIFIED WHERE SHOWN.

POSITION 1 INDICATOR TO BE RECESSED .0005 MAX



UNLESS OTHERWISE SPECIFIED, DIMENSIONS ARE IN INCHES.
TOLERANCES ARE:
DECIMALS .XX: ±.01
.XXX: ±.003
.XXXX: ±.0015

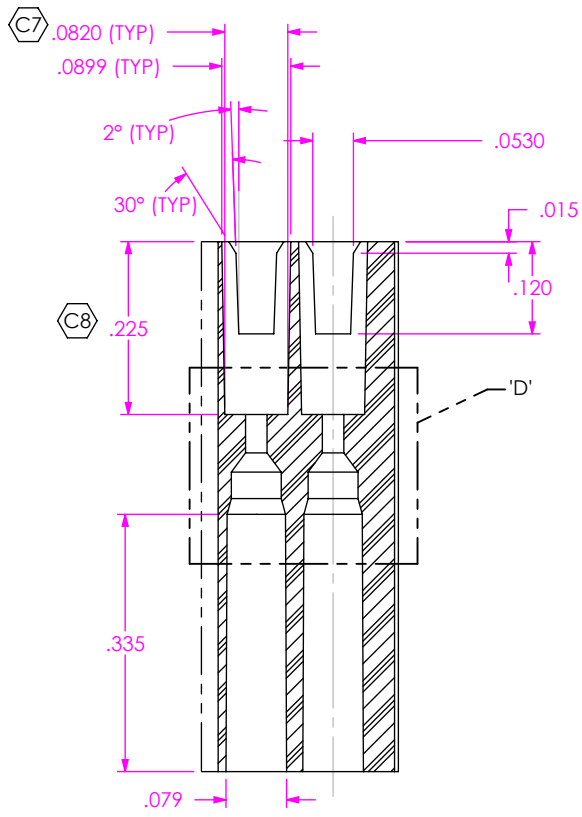
PROPRIETARY NOTE
THIS DOCUMENT CONTAINS CONFIDENTIAL AND PROPRIETARY INFORMATION AND ALL DESIGN, MANUFACTURING, REPRODUCTION, USE, PATENT RIGHTS AND SALES RIGHTS ARE EXPRESSLY RESERVED BY SAMTEC, INC. THIS DOCUMENT SHALL NOT BE DISCLOSED, IN WHOLE OR PART, TO ANY UNAUTHORIZED PERSON OR ENTITY NOR REPRODUCED, TRANSFERRED OR INCORPORATED IN ANY OTHER PROJECT IN ANY MANNER WITHOUT THE EXPRESS WRITTEN CONSENT OF SAMTEC, INC.



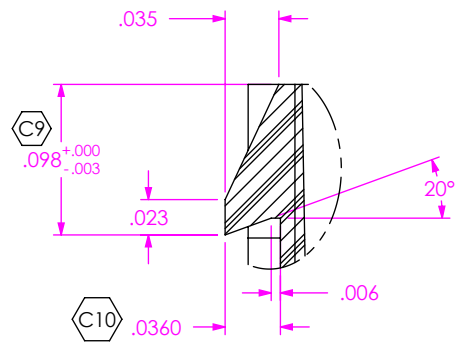
520 PARK EAST BLVD, NEW ALBANY, IN 47150
PHONE: 812-944-6733 FAX: 812-948-5047
e-Mail info@SAMTEC.com code 55322

MATERIAL: DO NOT SCALE DRAWING SHEET SCALE: 2:1
ZYTEL PA66 101F, COLOR: WHITE
-SF: BLACK
MAX REGRIND: 25%
MAX FLASH ALLOWED: .004
MAX GATE VESTIGE: .002
F:\DWG\MISC\MKTG\IPM1-XX-X-XX-MKT.SLDDRW

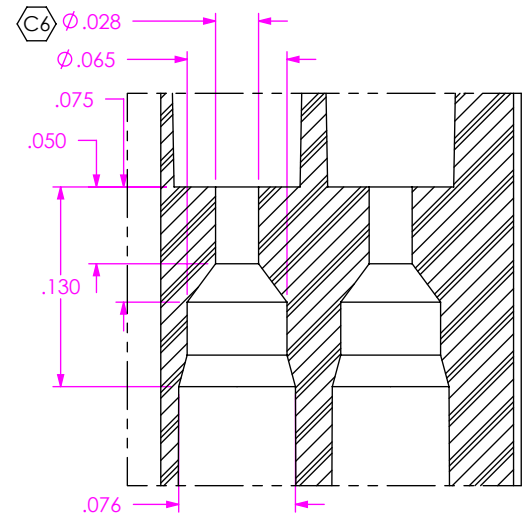
DESCRIPTION:
.100 SHROUDED TERMINAL CABLE END
DWG. NO. IPM1-XX-X-XX
BY: D. SCHMELZ 12/04/2008 SHEET 1 OF 4



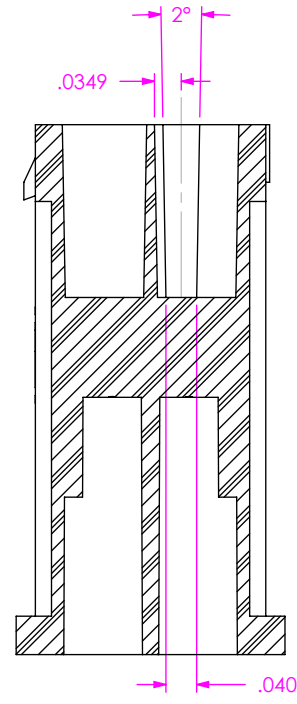
DETAIL 'C'
SCALE 4 : 1



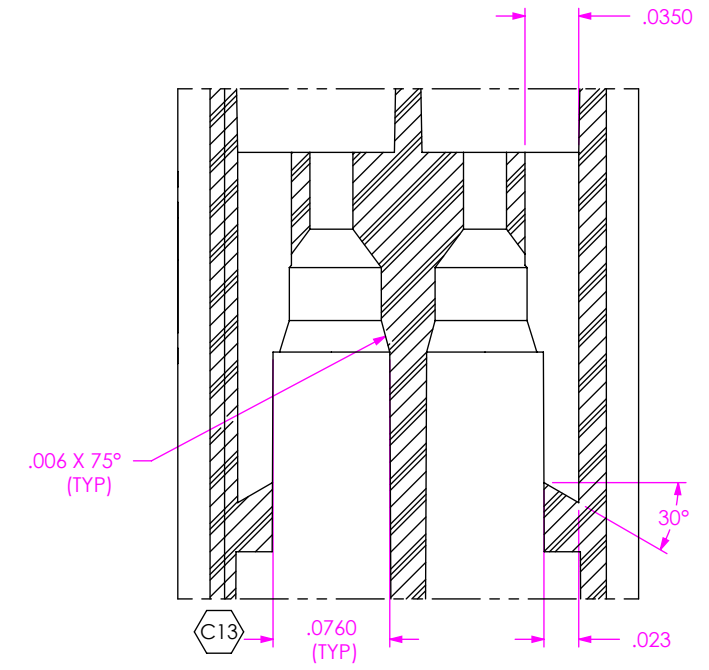
DETAIL 'F'
SCALE 8 : 1



DETAIL 'D'
SCALE 8 : 1



SECTION 'G'-'G'
SCALE 4 : 1



DETAIL 'H'
SCALE 8 : 1

PROPRIETARY NOTE
THIS DOCUMENT CONTAINS CONFIDENTIAL AND PROPRIETARY INFORMATION AND ALL DESIGN, MANUFACTURING, REPRODUCTION, USE, PATENT RIGHTS AND SALES RIGHTS ARE EXPRESSLY RESERVED BY SAMTEC, INC. THIS DOCUMENT SHALL NOT BE DISCLOSED, IN WHOLE OR PART, TO ANY UNAUTHORIZED PERSON OR ENTITY NOR REPRODUCED, TRANSFERRED OR INCORPORATED IN ANY OTHER PROJECT IN ANY MANNER WITHOUT THE EXPRESS WRITTEN CONSENT OF SAMTEC, INC.

DO NOT SCALE DRAWING

SHEET SCALE: 3:1



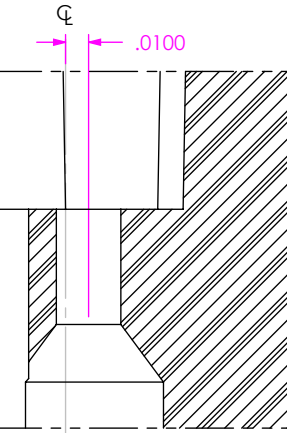
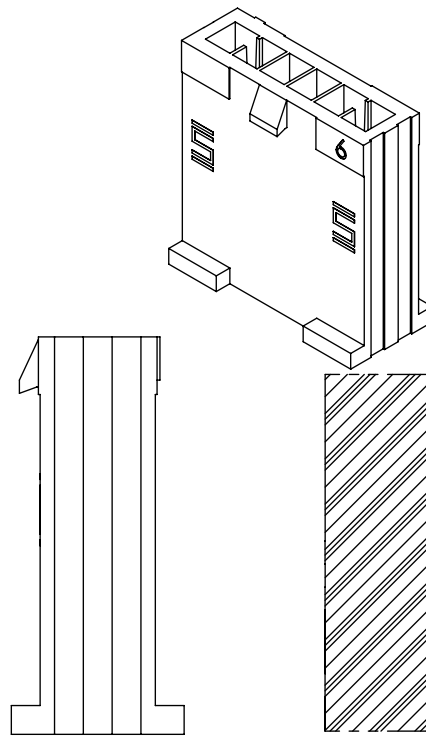
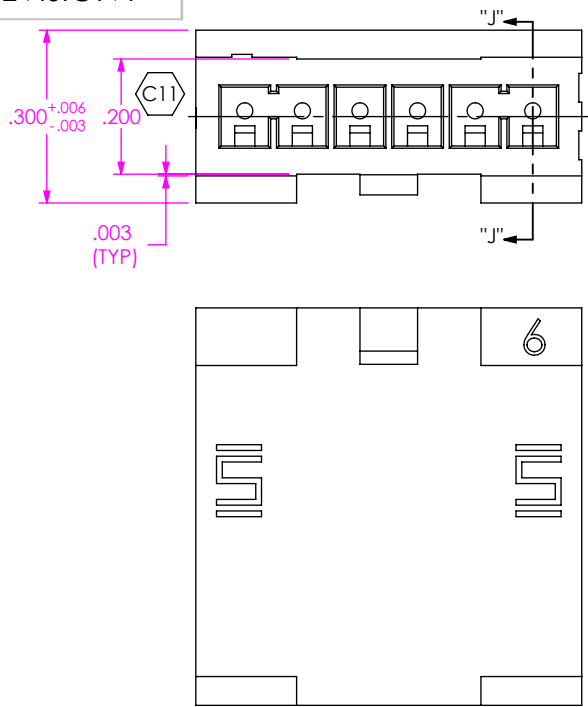
520 PARK EAST BLVD, NEW ALBANY, IN 47150
PHONE: 812-944-6733 FAX: 812-948-5047
e-Mail info@SAMTEC.com code 55322

DESCRIPTION:
.100 SHROUDED TERMINAL CABLE END

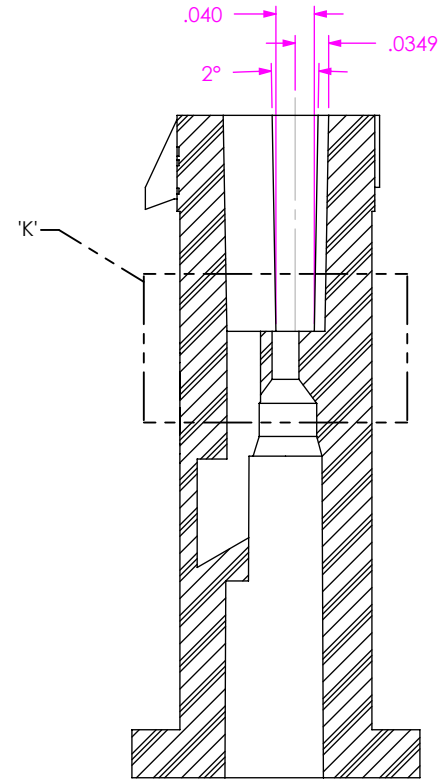
DWG. NO.
IPM1-XX-X-XX

BY: D. SCHMELZ 12/04/2008 SHEET 2 OF 4

REVISION F



DETAIL 'K'
SCALE 12:1



SECTION "J"-"J"
SCALE 5:1

FIG 2
IPM1-06-S SHOWN
(DIFFERENT AS SHOWN, OTHERWISE SAME AS FIG 1)

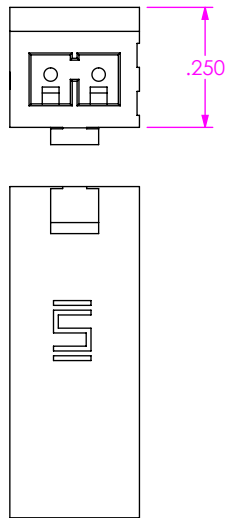


FIG 3
APPLIES TO -02 & -03 POSITIONS ONLY
IPM1-02-S SHOWN
(DIFFERENT AS SHOWN, OTHERWISE SAME AS FIG 2)

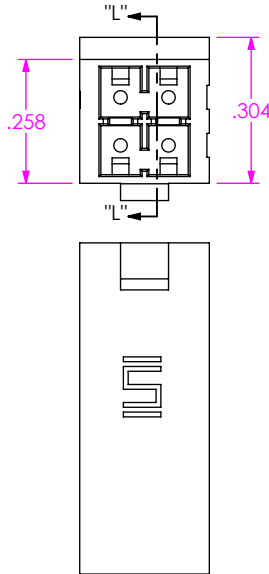
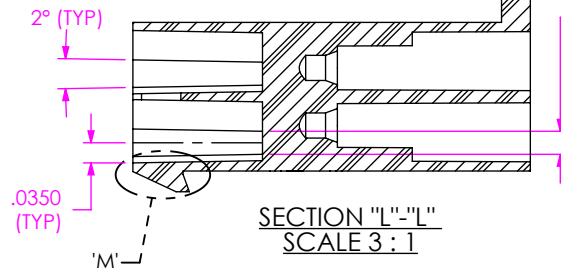
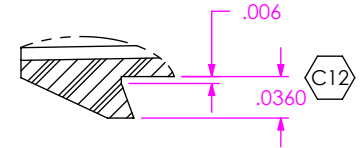


FIG 4
APPLIES TO -02 & -03 POSITIONS ONLY
IPM1-02-D SHOWN
(DIFFERENT AS SHOWN, OTHERWISE SAME AS FIG 1)



SECTION "L"-"L"
SCALE 3:1



DETAIL 'M'
SCALE 6:1

F:\DWG\MISC\MKTG\IPM1-XX-X-XX-MKT.SLDDRW

PROPRIETARY NOTE
THIS DOCUMENT CONTAINS CONFIDENTIAL AND PROPRIETARY INFORMATION AND ALL DESIGN, MANUFACTURING, REPRODUCTION, USE, PATENT RIGHTS AND SALES RIGHTS ARE EXPRESSLY RESERVED BY SAMTEC, INC. THIS DOCUMENT SHALL NOT BE DISCLOSED, IN WHOLE OR PART, TO ANY UNAUTHORIZED PERSON OR ENTITY NOR REPRODUCED, TRANSFERRED OR INCORPORATED IN ANY OTHER PROJECT IN ANY MANNER WITHOUT THE EXPRESS WRITTEN CONSENT OF SAMTEC, INC.

DO NOT SCALE DRAWING

SHEET SCALE: 3:1

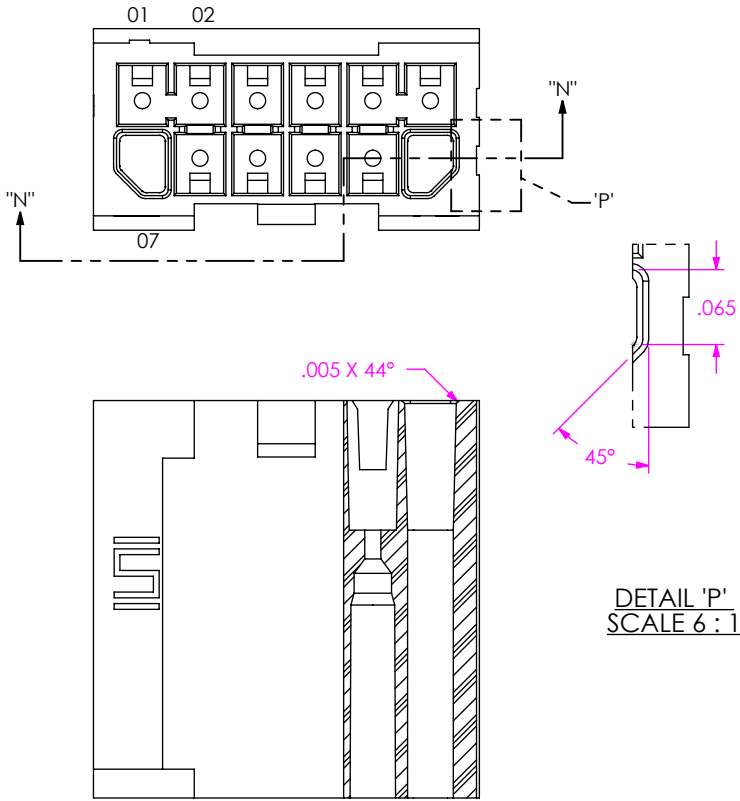
samtec

520 PARK EAST BLVD, NEW ALBANY, IN 47150
PHONE: 812-944-6733 FAX: 812-948-5047
e-Mail info@SAMTEC.com code 55322

DESCRIPTION:
.100 SHROUDED TERMINAL CABLE END

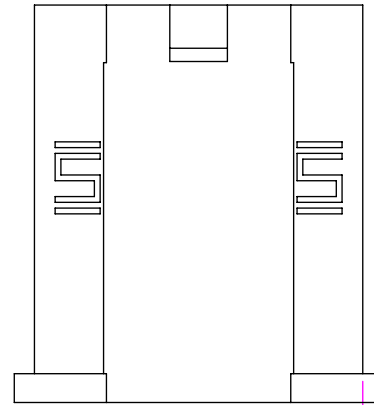
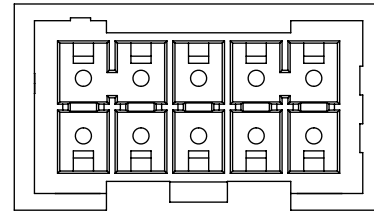
DWG. NO.
IPM1-XX-X-XX

BY: D. SCHMELZ 12/04/2008 SHEET 3 OF 4



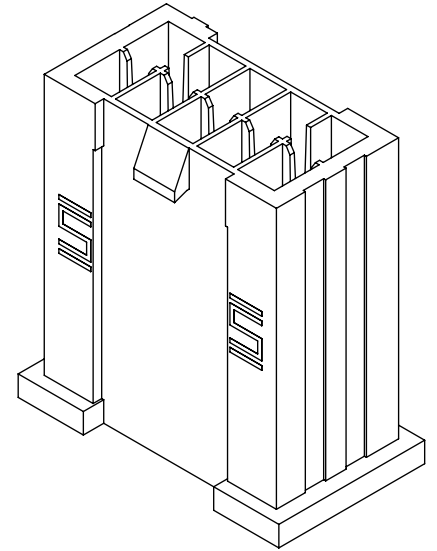
SECTION "N"- "N"
SCALE 3 : 1

FIG 5
IPM1-06-D-GP SHOWN
(SAME AS FIG 1, UNLESS OTHERWISE STATED)
(ONLY AVAILABLE ON DOUBLE ROW)



.035 (2 PLCS)

FIG 6
*IPM1-05-D-SF SHOWN
(DIFFERENT AS SHOWN, OTHERWISE SAME AS FIG 1)
(-03, -04, & -05 TOOLED ONLY, *NOT RELEASED FOR PRODUCTION)



<p>PROPRIETARY NOTE</p> <p>THIS DOCUMENT CONTAINS CONFIDENTIAL AND PROPRIETARY INFORMATION AND ALL DESIGN, MANUFACTURING, REPRODUCTION, USE, PATENT RIGHTS AND SALES RIGHTS ARE EXPRESSLY RESERVED BY SAMTEC, INC. THIS DOCUMENT SHALL NOT BE DISCLOSED, IN WHOLE OR PART, TO ANY UNAUTHORIZED PERSON OR ENTITY NOR REPRODUCED, TRANSFERRED OR INCORPORATED IN ANY OTHER PROJECT IN ANY MANNER WITHOUT THE EXPRESS WRITTEN CONSENT OF SAMTEC, INC.</p>		
	<p>520 PARK EAST BLVD, NEW ALBANY, IN 47150 PHONE: 812-944-6733 FAX: 812-948-5047 e-Mail info@SAMTEC.com code 55322</p>	
	<p>DESCRIPTION: .100 SHROUDED TERMINAL CABLE END</p>	<p>DWG. NO. IPM1-XX-X-XX</p>
<p>SHEET SCALE: 3:1</p>	<p>BY: D. SCHMELZ 12/04/2008</p>	<p>SHEET 4 OF 4</p>