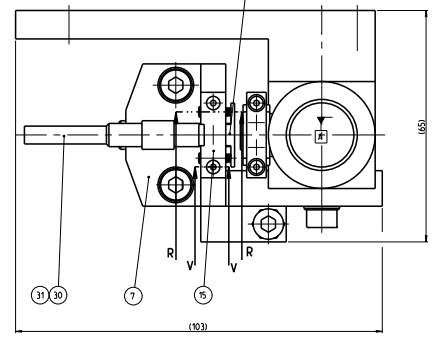
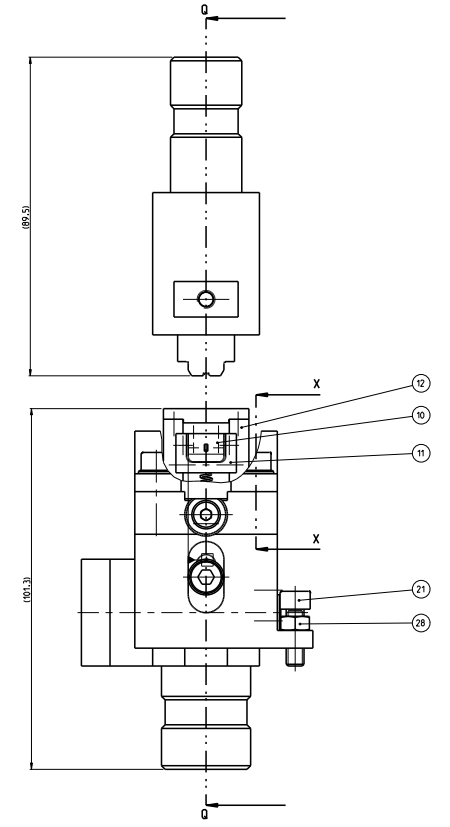
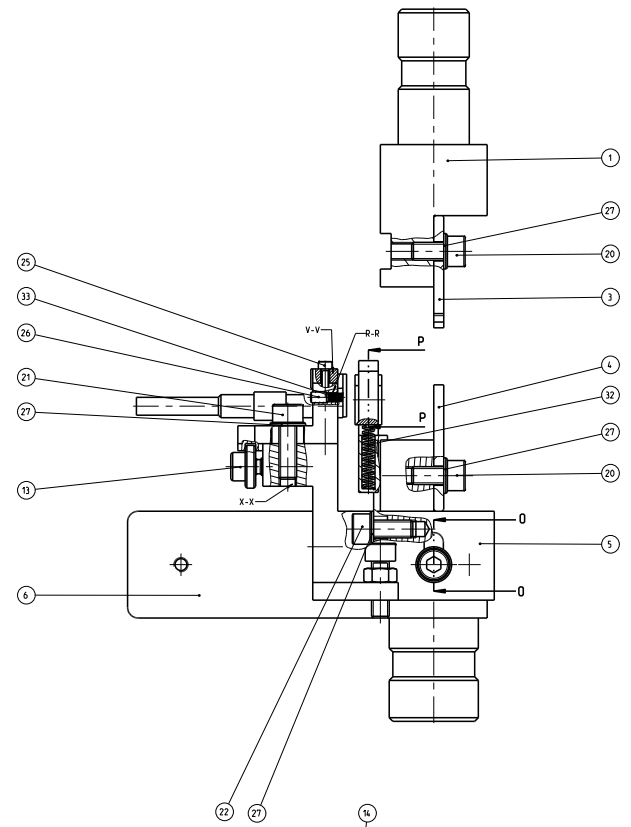
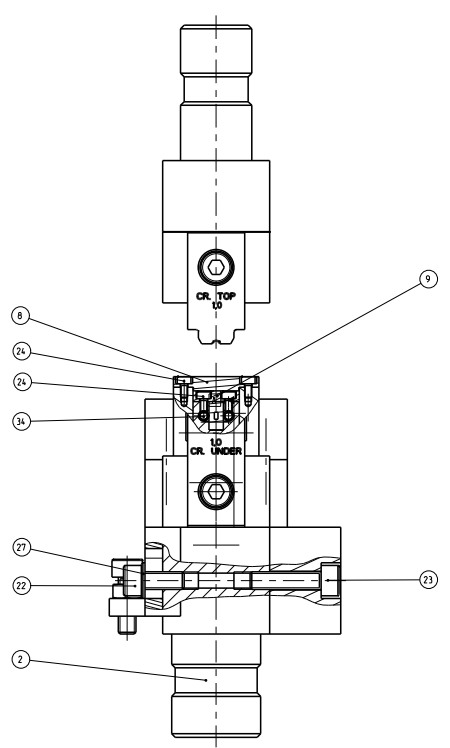


| REVISIONS | | | |
|-----------|-----------------|----------|-------|
| REV | DESCRIPTION | DATE | BY |
| E | INITIAL RELEASE | 09/09/00 | CF DM |
| F | ECR-16-005645 | 09/09/00 | DM GS |
| G | ECR-16-009120 | 09/09/00 | DM GS |
| H | ECR-20-002761 | 09/09/00 | LS LB |



TOOL WITHOUT FIBER OPTICS

Tool for terminal: PN 1718277
 Wiresize: 1 mm² (FLRY)

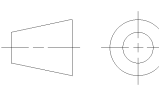

| | | | | |
|--|---|---|---|-----------------|
| THIS DRAWING IS A CONTROLLED DOCUMENT | | REV: 00000000 | DATE: 09/09/00 | TE Connectivity |
| DRAWN: J. B. BROWN CHECKED: J. B. BROWN APPROVED: J. B. BROWN | PART: 1718277 TITLE: TOOL KIT, 1.0 SQ.MM. FLAT CONTACT | PART: 1718277 TITLE: TOOL KIT, 1.0 SQ.MM. FLAT CONTACT | PART: 1718277 TITLE: TOOL KIT, 1.0 SQ.MM. FLAT CONTACT | |
| MATERIAL: - FINISH: - TOLERANCES: - DIMENSIONS: - UNLESS OTHERWISE SPECIFIED | SCALE: - SHEET: 21 SHEET 1 OF 2 | CUSTOMER DRAWING | SHEET 1 OF 2 | DATE: 09/09/00 |

| POS | QTY | TE P/N | REV | DESCRIPTION | S=Spare Parts | S | W |
|-----|-----|------------|-----|--|---------------|-------------------------------------|-------------------------------------|
| | | | | | W=Wear Parts | | |
| 1 | 1 | 578952-6 | C | HOLDER, UPPER | | <input checked="" type="checkbox"/> | <input type="checkbox"/> |
| 2 | 1 | 578953-6 | B | HOLDER, LOWER | | <input checked="" type="checkbox"/> | <input type="checkbox"/> |
| 3 | 1 | 1722364-1 | A | CRIMPER, TOP 1 SQMM | | <input checked="" type="checkbox"/> | <input checked="" type="checkbox"/> |
| 4 | 1 | 1722365-1 | B | CRIMPER, UNDER 1 SQMM | | <input checked="" type="checkbox"/> | <input checked="" type="checkbox"/> |
| 5 | 1 | 579168-3 | A | HOLDER 1 | | <input checked="" type="checkbox"/> | <input type="checkbox"/> |
| 6 | 1 | 579120-1 | B | LEISTE | | <input checked="" type="checkbox"/> | <input type="checkbox"/> |
| 7 | 1 | 579169-3 | A | HOLDER 2 | | <input checked="" type="checkbox"/> | <input type="checkbox"/> |
| 8 | 1 | 579181-1 | B | DECKPLATTE | | <input checked="" type="checkbox"/> | <input type="checkbox"/> |
| 9 | 1 | 579182-1 | B | DECKEL | | <input checked="" type="checkbox"/> | <input type="checkbox"/> |
| 10 | 1 | 579184-2 | A | CENTERING PIECE | | <input checked="" type="checkbox"/> | <input type="checkbox"/> |
| 11 | 1 | 579185-1 | B | SCHIEBER | | <input checked="" type="checkbox"/> | <input type="checkbox"/> |
| 12 | 1 | 579186-2 | A | FORK | | <input checked="" type="checkbox"/> | <input type="checkbox"/> |
| 13 | 1 | 579183-1 | B | STELLSCHRAUBE | | <input checked="" type="checkbox"/> | <input type="checkbox"/> |
| 14 | 1 | 579194-1 | B | ANSCHLAG | | <input checked="" type="checkbox"/> | <input type="checkbox"/> |
| 15 | 1 | 579195-1 | B | LEISTE | | <input checked="" type="checkbox"/> | <input type="checkbox"/> |
| 20 | 2 | 3-519000-0 | A | SCREW, CAP, SOCKET HD, METRIC | | <input checked="" type="checkbox"/> | <input type="checkbox"/> |
| 21 | 3 | 3-519000-2 | A | SCREW, CAP, SOCKET HD, METRIC | | <input checked="" type="checkbox"/> | <input type="checkbox"/> |
| 22 | 2 | 3-519000-1 | A | SCREW, CAP, SOCKET HD, METRIC | | <input checked="" type="checkbox"/> | <input type="checkbox"/> |
| 23 | 1 | 3-519000-3 | A | SCREW, CAP, SOCKET HD, METRIC | | <input checked="" type="checkbox"/> | <input type="checkbox"/> |
| 24 | 4 | 519000-2 | A | SCREW, CAP, SOCKET HD, METRIC | | <input checked="" type="checkbox"/> | <input type="checkbox"/> |
| 25 | 2 | 519000-5 | A | SCREW, CAP, SOCKET HD, METRIC | | <input checked="" type="checkbox"/> | <input type="checkbox"/> |
| 27 | 7 | 519034-3 | A | WASHER, FLAT, METRIC, ST | | <input checked="" type="checkbox"/> | <input type="checkbox"/> |
| 28 | 1 | 519021-9 | A | NUT, HEX | | <input checked="" type="checkbox"/> | <input type="checkbox"/> |
| 30 | 1 | 2030563-1 | A | CABLE, CONNECTING, STRAIGHT | | <input checked="" type="checkbox"/> | <input checked="" type="checkbox"/> |
| 31 | 1 | 2030578-2 | D | SENSOR,PROXIMITY SWITCH,INDUCTIVE,THREAD | | <input checked="" type="checkbox"/> | <input checked="" type="checkbox"/> |
| 32 | 1 | 1-653861-2 | E | SPRING, COMPRESSION | | <input checked="" type="checkbox"/> | <input checked="" type="checkbox"/> |
| 33 | 2 | 547505-9 | A | SPRING, COMPRESSION | | <input checked="" type="checkbox"/> | <input checked="" type="checkbox"/> |
| 34 | 2 | 6-510500-8 | A | SPRING, COMPRESSION | | <input checked="" type="checkbox"/> | <input checked="" type="checkbox"/> |

REMARKS:
USED FOR CONTACT 1718277

USED ON
2-528005-8

| P | LTR | REVISION RECORD | DATE | DWN | APVD | PRINTED | DWN | 26FEB20 | CHK | 26FEB20 | APVD | 26FEB20 |
|---|-----|-----------------|------|-----|------|---------|----------|---------|----------|---------|---------|---------|
| - | - | SEE SHEET 1 | - | - | - | 26FEB20 | L.Sandhu | | L.Sandhu | | L.Bauer | |

| | | | | | |
|---|---|--|--|--------------------|---------------------------------|
| <p>THIS DRAWING IS UNPUBLISHED. RELEASED FROM PUBLICATION -,- ©COPYRIGHT - BY TYCO ELECTRONICS CORPORATION. ALL INTERNATIONAL RIGHT RESERVED.</p> |  | CUSTOMER PART LIST |  TE Connectivity | | |
| | | NAME TOOL KIT, 1,0 SQ.MM, FLAT CONTACT | | RESTRICTED TO - | |
| | | SCALE - | | SIZE A4 | DRAWING NO C-579109-2 |