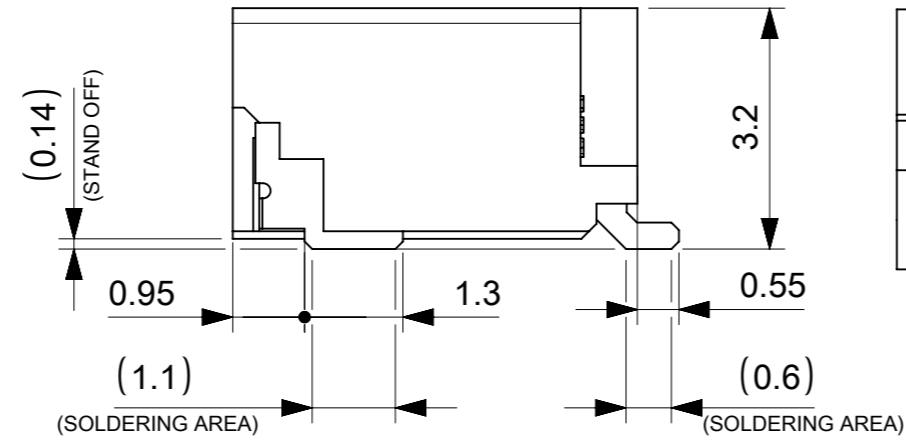
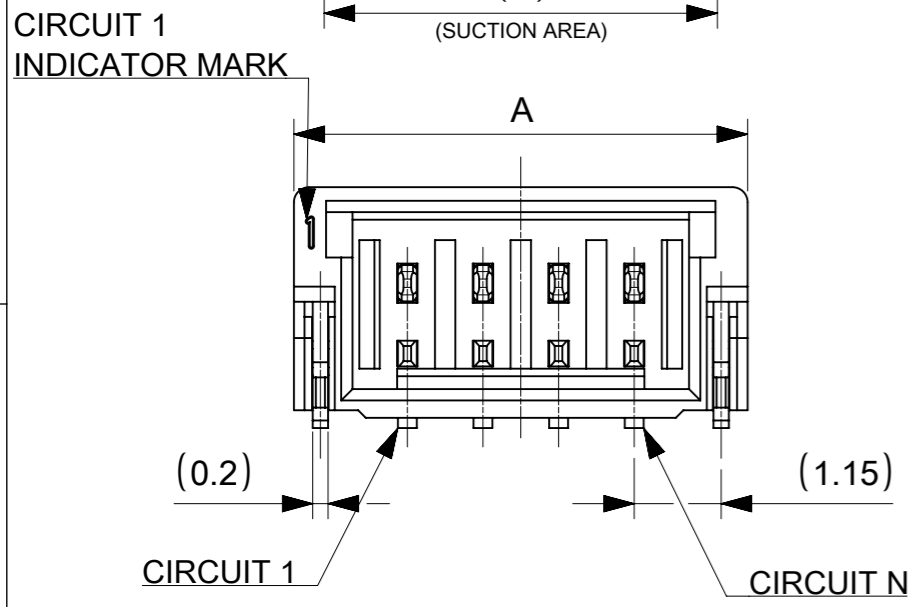
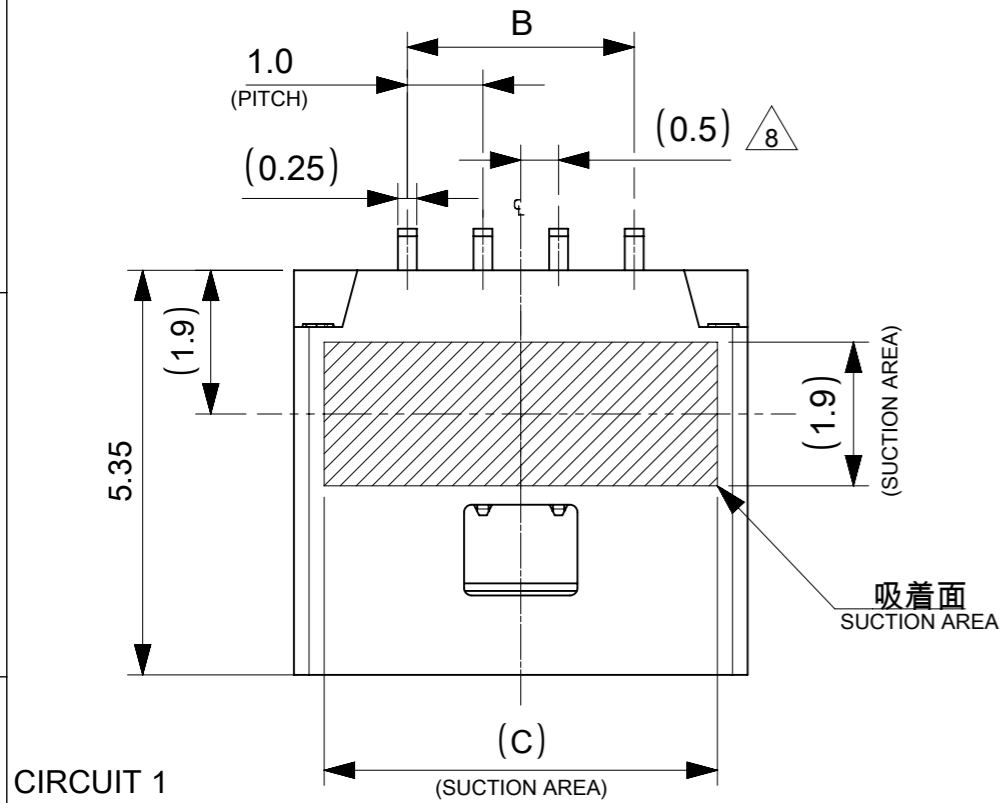


NOTES

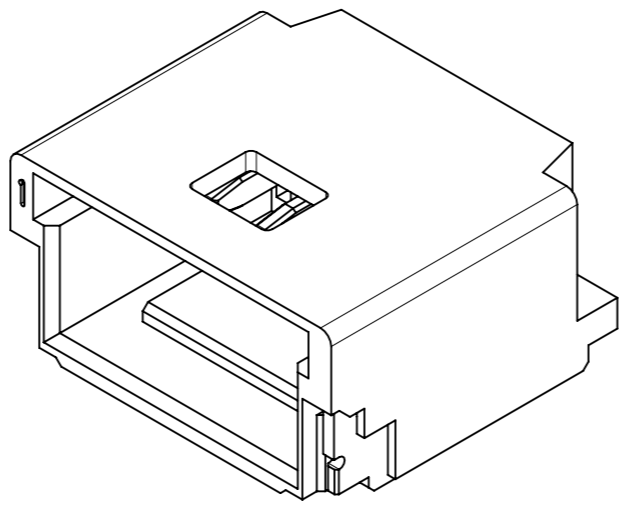
- 本製品は極数によって、ロック形状が変わりますので御注意願います。
THE LOCK SHAPE OF THIS PRODUCT CHANGES ACCORDING TO THE NUMBER OF CIRCUIT.
2~5 CIRCUITS : フリクションロック FRICTION LOCK
6~15 CIRCUITS : インナーポジティブロック INNER POSITIVE LOCK
- 材料及び仕上げ(めっき仕様) : TABLE 1,2 参照
MATERIAL AND FINISHES : SEE TABLE 1 AND 2
- 製品仕様書 : 5013300000-PS 000
PRODUCT SPECIFICATION:
- 梱包形態 : SEE SHEET 4
PACKAGING INFORMATION:
- 嵌合相手 : 501330 シリーズ
MATES WITH:501330 SERIES
- アプリケーション仕様書(コネクタ取扱い説明書) : 5013300000-AS 000
APPLICATION SPECIFICATION(CONNECTOR MANUAL):
- ソルダーピン及びネイルの平坦度:0.1 MAX.
SOLDER PIN AND NAIL COPLANARITY: 0.1 MAX.
- 偶数極に適用
APPLY FOR EVEN CIRCUIT
- その他金めっき厚品及び錫めっき品は以下の図面を御参照ください。
PLEASE REFER TO THE FOLLOWING DRAWING FOR OTHER GOLD PLATING VERSION AND TIN PLATING VERSION.



| PLATING | PLATING THICKNESS [micro-meter MIN.] | SERIES No. | DRAWING No. |
|---------|--------------------------------------|------------|-----------------------|
| TIN | 1.0 | 501568 | 5015680000-SD PSD 000 |
| GOLD | 0.1 | 202396 | 2023960000-SD PSD 000 |
| | 0.76 | 203559 | 2035590000-SD PSD 000 |

TABLE 1

| 番号 NO. | 部品 PART | 材質 MATERIAL | |
|--------|------------------------|------------------------------------------------------------------------------------|--------------------------------------------------|
| ① | ウエハー WAFER | ポリアミド(PA), UL94V-0, 色 : SEE SHEET 6 POLYAMIDE(PA), UL94V-0, COLOR : SEE SHEET 6 | |
| ② | ソルダーピン SOLDER PIN | リン青銅 PHOSPHOR BRONZE | |
| | | 接点部 CONTACT AREA | 金めっき : 0.38 MICRO-METER MIN. GOLD PLATING |
| | | テール部 TAIL AREA | 金めっき : 0.05 MICRO-METER MIN. GOLD PLATING |
| | 下地めっき UNDER PLATING | ニッケルめっき : 1.27 MICRO-METER MIN. NICKEL | |
| ③ | ネイル NAIL | 黄銅 BRASS | |
| | | テール部 TAIL AREA | 錫めっき : 1.0 MICRO-METER MIN. MATTE TIN PLATING |
| | | 下地めっき UNDER PLATING | ニッケルめっき : 1.0 MICRO-METER MIN. NICKEL |



| | | | |
|-----|-----|-----|--------------------|
| 6.2 | 4.0 | 7.0 | 5 |
| 5.2 | 3.0 | 6.0 | 4 |
| 4.2 | 2.0 | 5.0 | 3 |
| 3.2 | 1.0 | 4.0 | 2 |
| C | B | A | 極数 CIRCUIT SIZE |

THIS DRAWING CONTAINS INFORMATION THAT IS PROPRIETARY TO MOLEX ELECTRONIC TECHNOLOGIES, LLC AND SHOULD NOT BE USED WITHOUT WRITTEN PERMISSION

| | | | |
|------------------------------------------------------|---------|-------------------|------------|
| DIMENSION UNITS | SCALE | CURRENT REV DESC: | |
| mm | NTS | | |
| GENERAL TOLERANCES (UNLESS SPECIFIED) | | | |
| ANGULAR TOL | ± 3.0 ° | | |
| 4 PLACES | ± 0.2 | EC NO: 698195 | |
| 3 PLACES | ± 0.2 | DRWN: MIKEDA01 | 2022/02/28 |
| 2 PLACES | ± 0.2 | CHK'D: SAKIYAMA | 2022/03/08 |
| 1 PLACE | ± 0.2 | APPR: AIDA | 2022/03/08 |
| 0 PLACES | ± 0.2 | INITIAL REVISION: | |
| DRAFT WHERE APPLICABLE MUST REMAIN WITHIN DIMENSIONS | | DRWN: AISHIKAWA | 2019/04/02 |
| THIRD ANGLE PROJECTION | | APPR: KOMURAKAMI | 2019/04/05 |
| DRAWING | SERIES | MATERIAL NUMBER | CUSTOMER |
| A3-SIZE | 203558 | SEE SHEET 6 | |
| DOCUMENT NUMBER | | DOC TYPE | DOC PART |
| 2035580000-SD | | PSD | 000 |
| SHEET NUMBER | | REVISION | |
| 1 OF 6 | | C | |

molex

PICO-CLASP 1.0 W/B
SINGLE ROW RA SMT INNER LOCK GOLD PLATING
0.38 MICRO-METER

PRODUCT CUSTOMER DRAWING

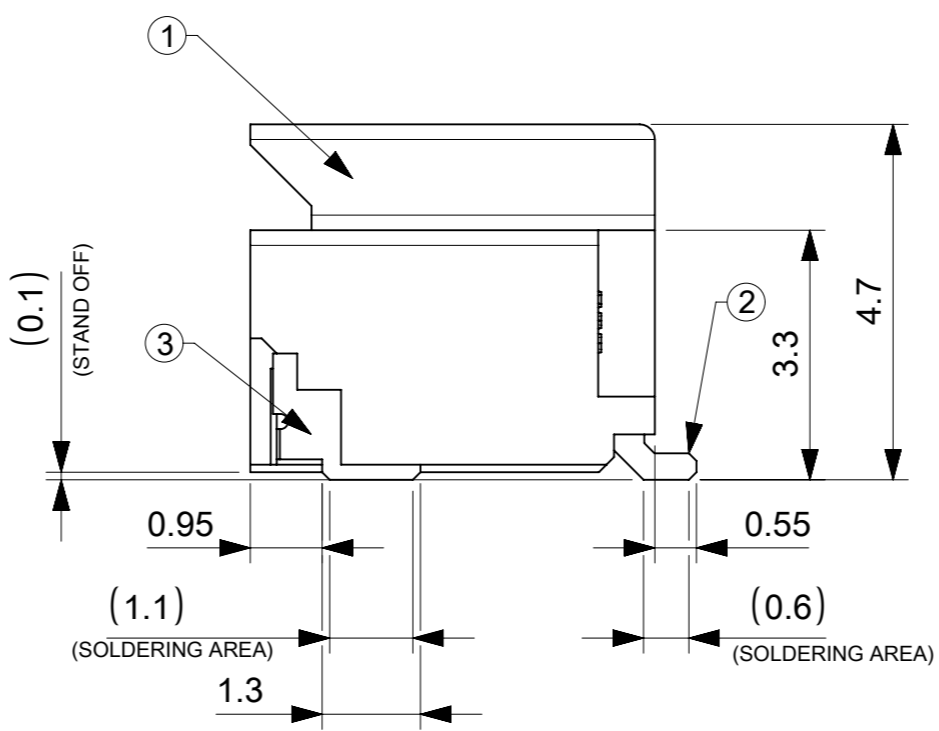
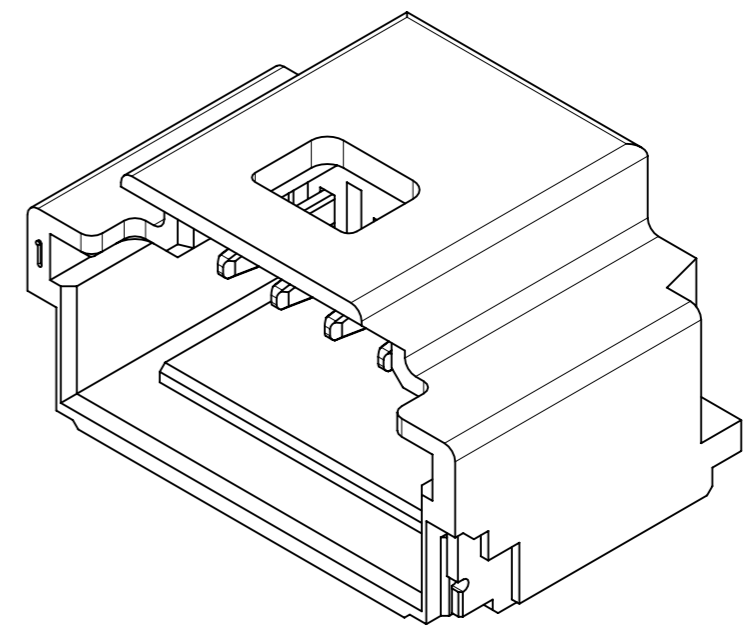
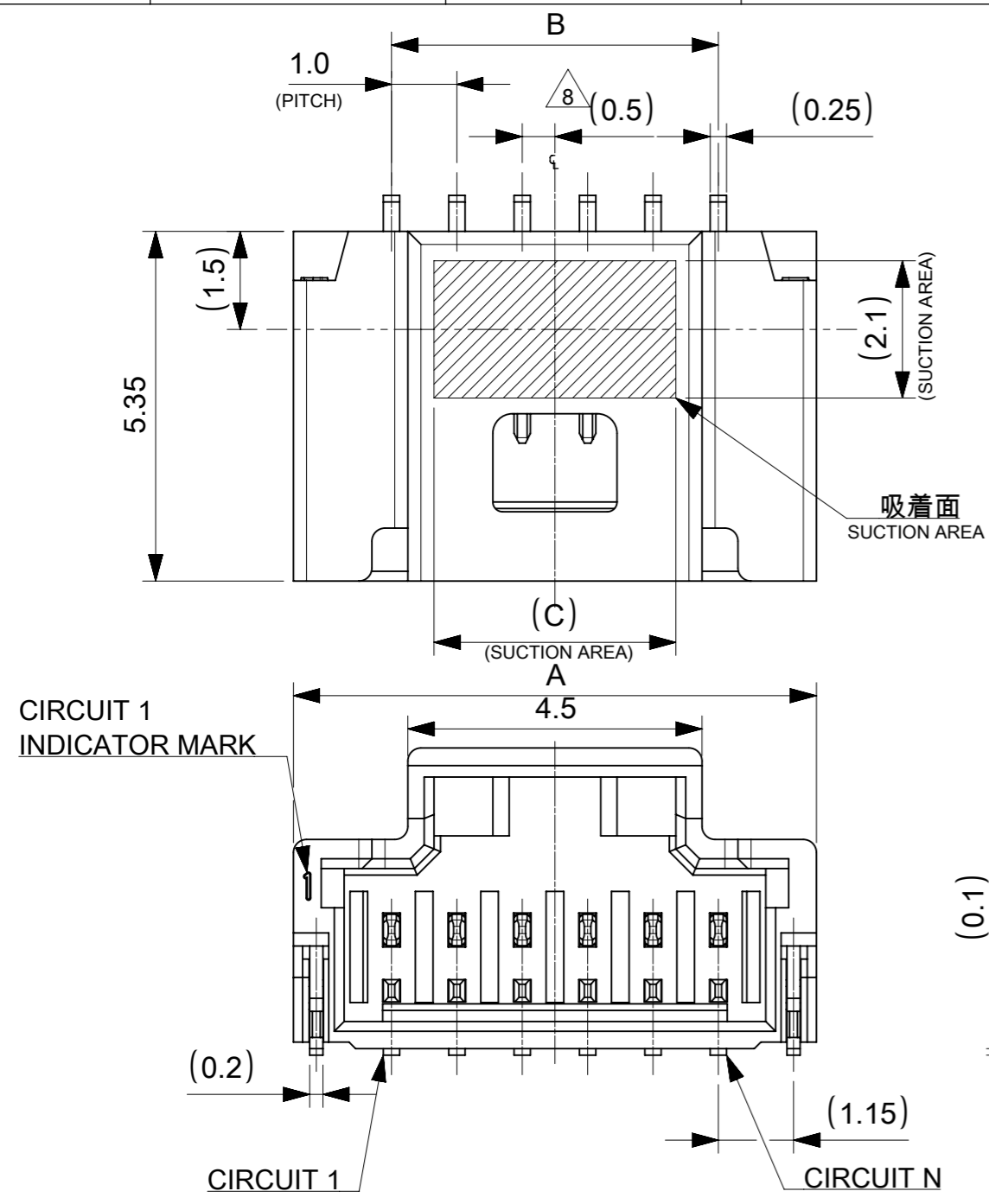


TABLE 2

| | | | |
|------|------|------|--------------------|
| 12.7 | 14.0 | 17.0 | 15 |
| 11.7 | 13.0 | 16.0 | 14 |
| 10.7 | 12.0 | 15.0 | 13 |
| 9.7 | 11.0 | 14.0 | 12 |
| 8.7 | 10.0 | 13.0 | 11 |
| 7.7 | 9.0 | 12.0 | 10 |
| 6.7 | 8.0 | 11.0 | 9 |
| 5.7 | 7.0 | 10.0 | 8 |
| 4.7 | 6.0 | 9.0 | 7 |
| 3.7 | 5.0 | 8.0 | 6 |
| C | B | A | 極数 CIRCUIT SIZE |

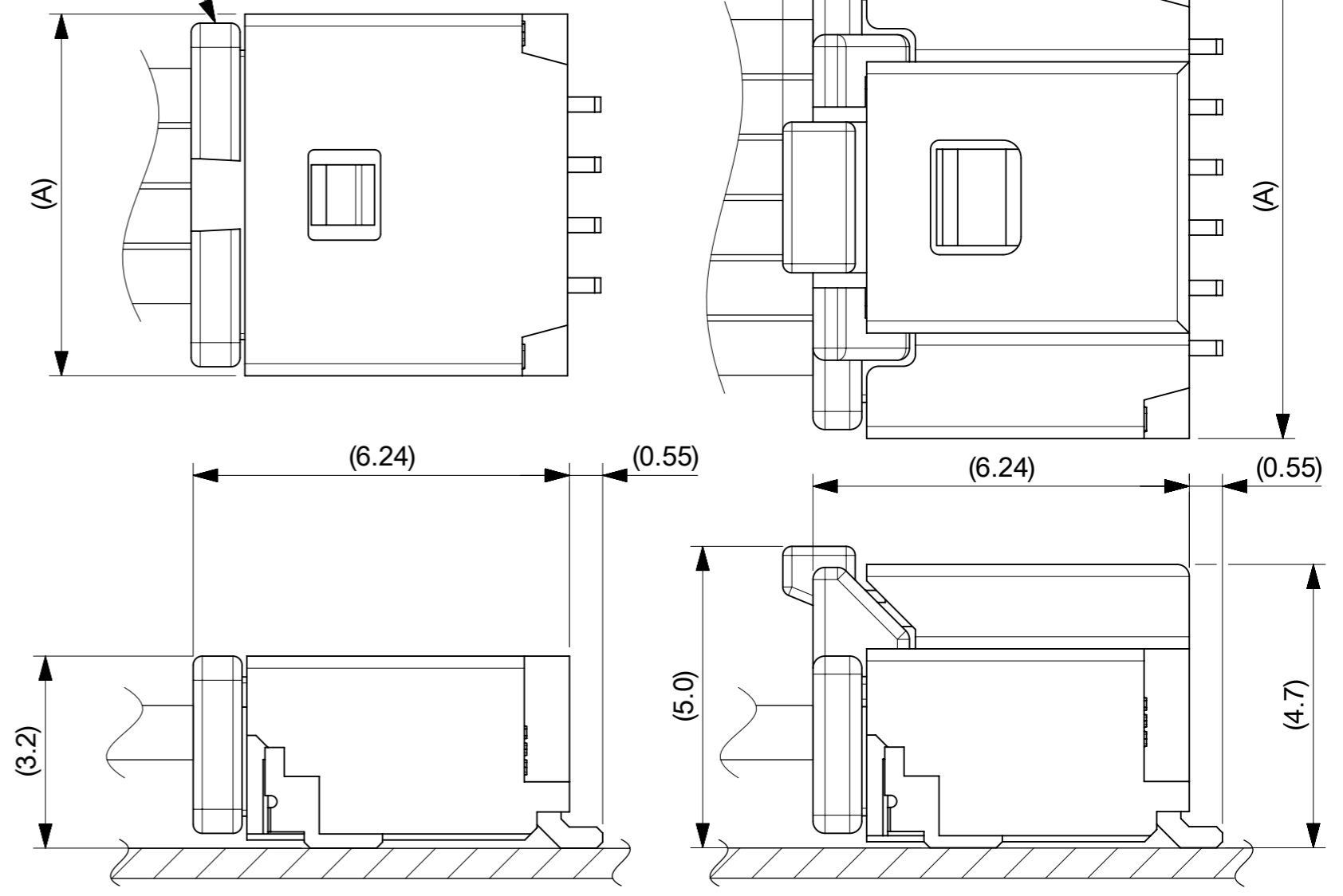
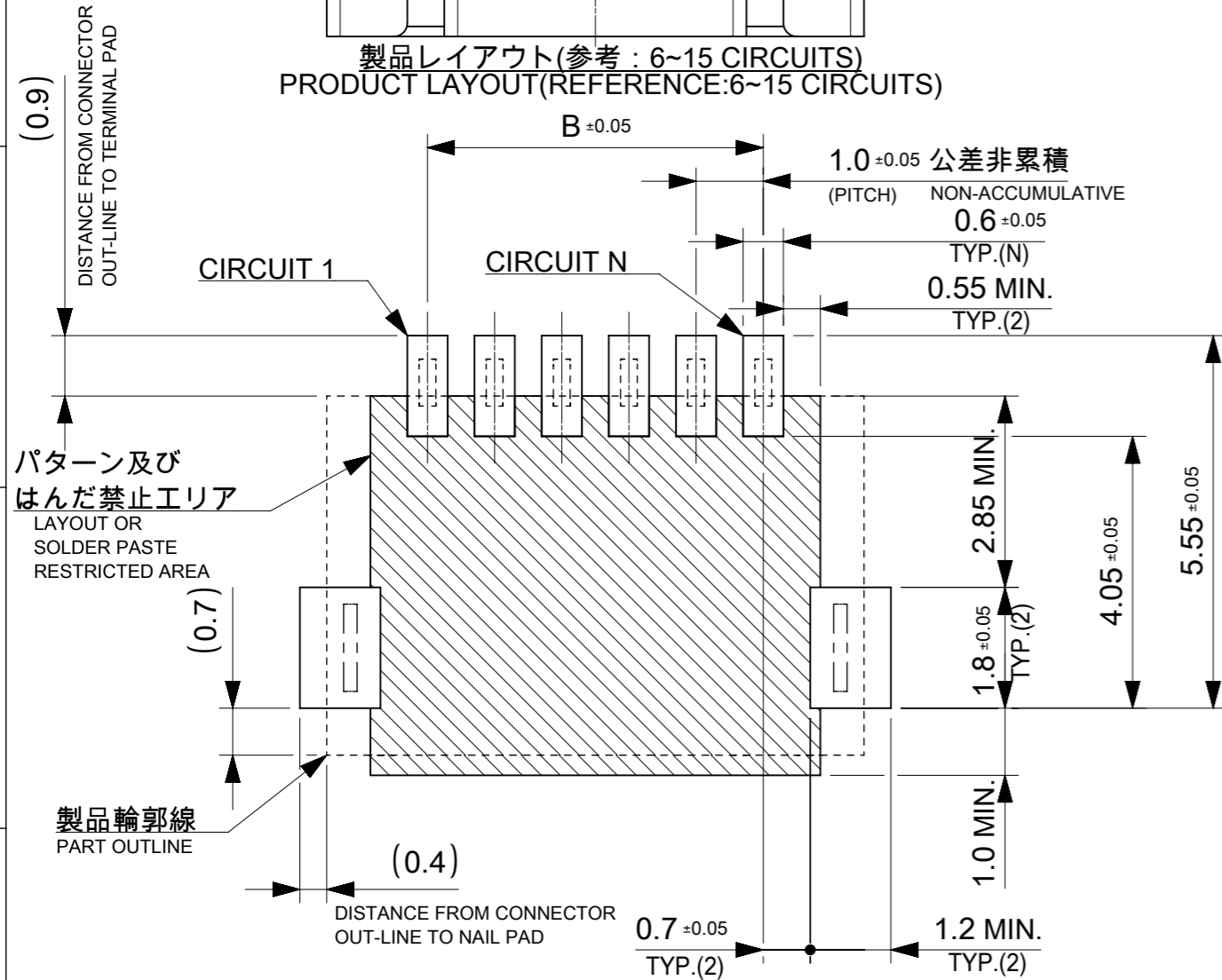
| 番号 NO. | 部品 PART | 材質 MATERIAL | |
|-----------|------------------------|------------------------------------------------------------------------------------|--------------------------------------------------|
| ① | ウエハー WAFER | ポリアミド(PA), UL94V-0, 色 : SEE SHEET 6 POLYAMIDE(PA), UL94V-0, COLOR : SEE SHEET 6 | |
| ② | ソルダーピン SOLDER PIN | リン青銅 PHOSPHOR BRONZE | |
| | | 接点部 CONTACT AREA | 金めっき : 0.38 MICRO-METER MIN. GOLD PLATING |
| | | テール部 TAIL AREA | 金めっき : 0.05 MICRO-METER MIN. GOLD PLATING |
| | 下地めっき UNDER PLATING | ニッケルめっき : 1.27 MICRO-METER MIN. NICKEL | |
| ③ | ネイル NAIL | 黄銅 BRASS | |
| | | テール部 TAIL AREA | 錫めっき : 1.0 MICRO-METER MIN. MATTE TIN PLATING |
| | | 下地めっき UNDER PLATING | ニッケルめっき : 1.0 MICRO-METER MIN. NICKEL |

THIS DRAWING CONTAINS INFORMATION THAT IS PROPRIETARY TO MOLEX ELECTRONIC TECHNOLOGIES, LLC AND SHOULD NOT BE USED WITHOUT WRITTEN PERMISSION

| | | | | | | | |
|------------------------------------------------------|---------------------|------------------------|---------|----------------------------|-----------------|----------|--------------|
| DIMENSION UNITS mm | SCALE NTS | CURRENT REV DESC: | | molex | | | |
| GENERAL TOLERANCES (UNLESS SPECIFIED) | | EC NO: 698195 | | | | | |
| ANGULAR TOL | ± 3.0 ° | DRWN: MIKEDA01 | | PRODUCT CUSTOMER DRAWING | | | |
| 4 PLACES | ± 0.2 | CHK'D: SAKIYAMA | | DOCUMENT NUMBER | | | |
| 3 PLACES | ± 0.2 | APPR: AIDA | | 2035580000-SD | | | |
| 2 PLACES | ± 0.2 | INITIAL REVISION: | | DOC TYPE DOC PART REVISION | | | |
| 1 PLACE | ± 0.2 | DRWN: AISHIKAWA | | PSD 000 C | | | |
| 0 PLACES | ± 0.2 | APPR: KOMURAKAMI | | SHEET NUMBER | | | |
| DRAFT WHERE APPLICABLE MUST REMAIN WITHIN DIMENSIONS | | THIRD ANGLE PROJECTION | DRAWING | SERIES | MATERIAL NUMBER | CUSTOMER | SHEET NUMBER |
| | | | A3-SIZE | 203558 | SEE SHEET 6 | | 2 OF 6 |

嵌合相手：501330シリーズ
MATE WITH：501330 SERIES

製品レイアウト(参考：6~15 CIRCUITS)
PRODUCT LAYOUT(REFERENCE:6~15 CIRCUITS)



a) 2~5 CIRCUITS

b) 6~15 CIRCUITS

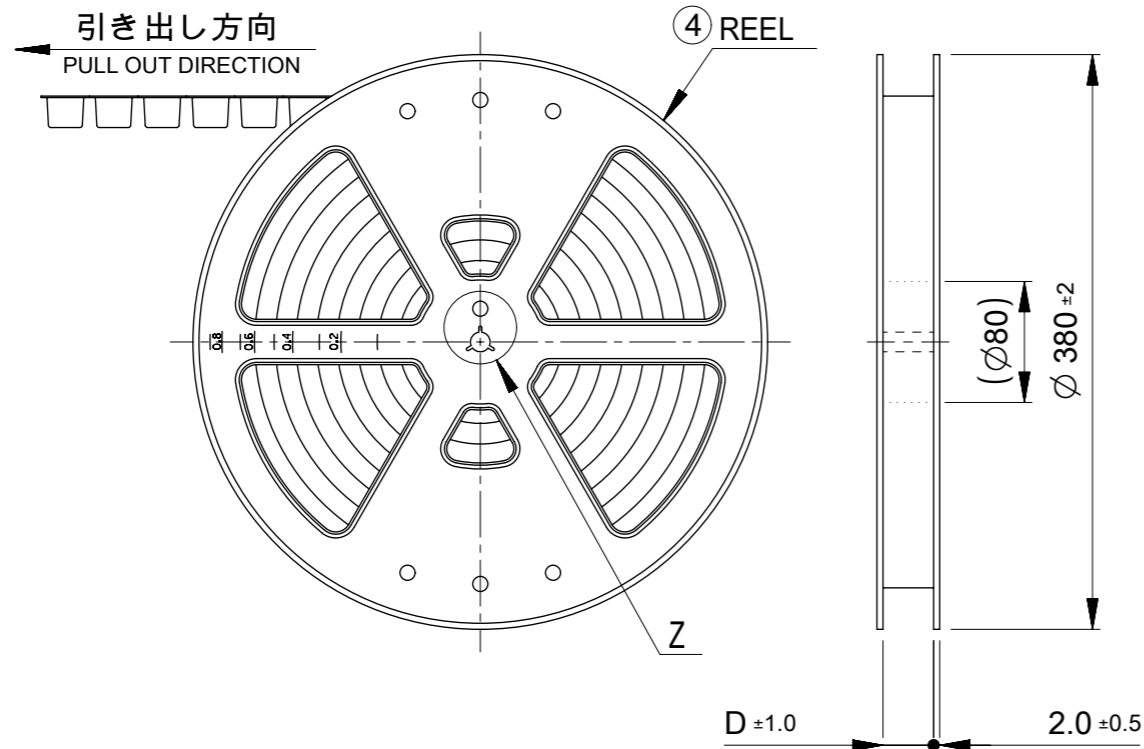
嵌合図
MATED CONNECTORS

推奨基板レイアウト(全極数適用)：実装面側
(参考：基板厚 1.0mm, メタルマスク厚さ 0.12mm, マスク開口率100%)

POLARIZED RECOMMENDED PCB LAYOUT(APPLY TO ALL CIRCUITS) : COMPONENT SIDE
(REFERENCE: PCB THICKNESS 1.0mm, STENCIL THICKNESS 0.12mm, APERTURE RATIO 100%)

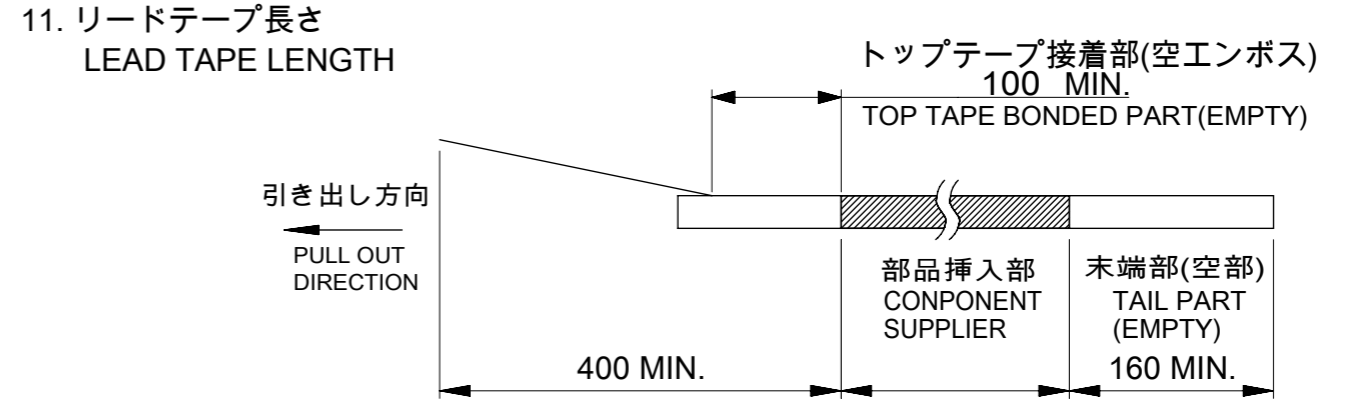
:パターン禁止エリア
RESTRICTED AREA
NO PCB COMPONENTS ALLOWED

| | | | | | | |
|-----------------------------------------------------------------------------------------------------------------------------------------------|---------|------------------------|--------------|-------------------------------------------------------------------------------------|-----------------|----------|
| THIS DRAWING CONTAINS INFORMATION THAT IS PROPRIETARY TO MOLEX ELECTRONIC TECHNOLOGIES, LLC AND SHOULD NOT BE USED WITHOUT WRITTEN PERMISSION | | CURRENT REV DESC: | | | | |
| DIMENSION UNITS | SCALE | | | | | |
| mm | NTS | | | PICO-CLASP 1.0 W/B SINGLE ROW RA SMT INNER LOCK GOLD PLATING 0.38 MICRO-METER | | |
| GENERAL TOLERANCES (UNLESS SPECIFIED) | | | | PRODUCT CUSTOMER DRAWING | | |
| ANGULAR TOL | ± 3.0 ° | | | DOCUMENT NUMBER | | |
| 4 PLACES | ± 0.2 | EC NO: 698195 | | 2035580000-SD | | |
| 3 PLACES | ± 0.2 | DRWN: MIKEDA01 | | PSD 000 C | | |
| 2 PLACES | ± 0.2 | CHK'D: SAKIYAMA | | DOC TYPE | | |
| 1 PLACE | ± 0.2 | APPR: AIDA | | DOC PART | | |
| 0 PLACES | ± 0.2 | INITIAL REVISION: | | REVISION | | |
| DRAFT WHERE APPLICABLE MUST REMAIN WITHIN DIMENSIONS | | THIRD ANGLE PROJECTION | DRAWING | SERIES | MATERIAL NUMBER | CUSTOMER |
| | | | A3-SIZE | 203558 | SEE SHEET 6 | |
| DOCUMENT STATUS | | P1 | RELEASE DATE | 2022/03/08 | 09:37:19 | |

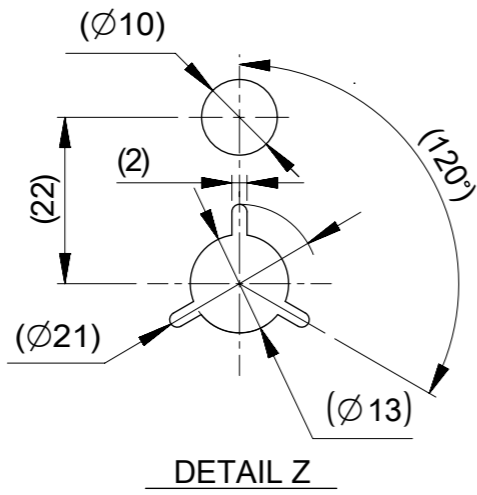


NOTES

10. 梱包数量
 2-5 CIRCUIT: 1700個/リール
 6-15 CIRCUIT: 1300個/リール
 NUMBER OF CONNECTORS
 2-5 CIRCUIT : 1700 PIECES/REEL
 6-15 CIRCUIT : 1300 PIECES/REEL



11. リードテープ長さ
 LEAD TAPE LENGTH
12. トップテープの剥離強度はIEC60286-3に準拠。
 TOP TAPE PEELING FORCE IS DEFINED BY IEC60286-3.
13. 2~5極品は乾燥剤入り、ハイバリア梱包による納品となります。
 2~5 CIRCUITS IS DELIVERED IN A HIGH BARRIER PACKAGING WITH DESICCANT.
14. 梱包仕様書 : 2035589200 PS 200
 PACKAGE SPECIFICATION:
15. 発注番号 : SHEET 6 参照
 ORDER No. : PLEASE REFER TO SHEET 6 FOR PRODUCT LIST.



203558 - ** * *

| | | |
|--------------------|---------------------------|---------------------------------|
| 極数 CIRCUIT SIZE | ハウジングカラー HOUSING COLOR | 製品識別番号 IDENTIFICATION NUMBER |
| | 0:NATURAL(BEIGE) | 7:EMBOSSED PACKAGE |

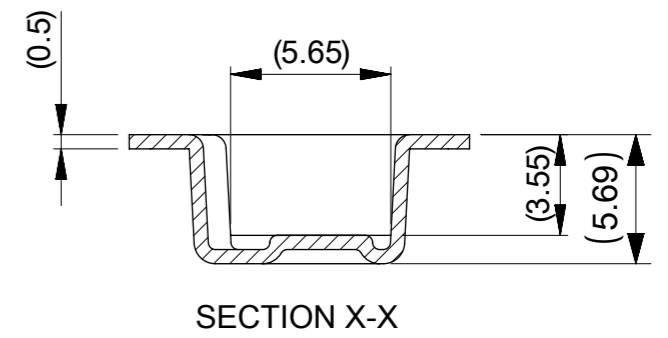
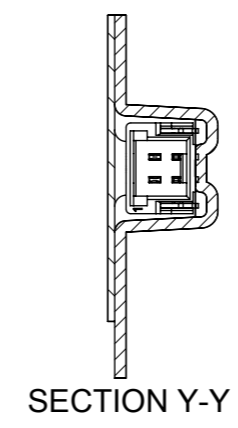
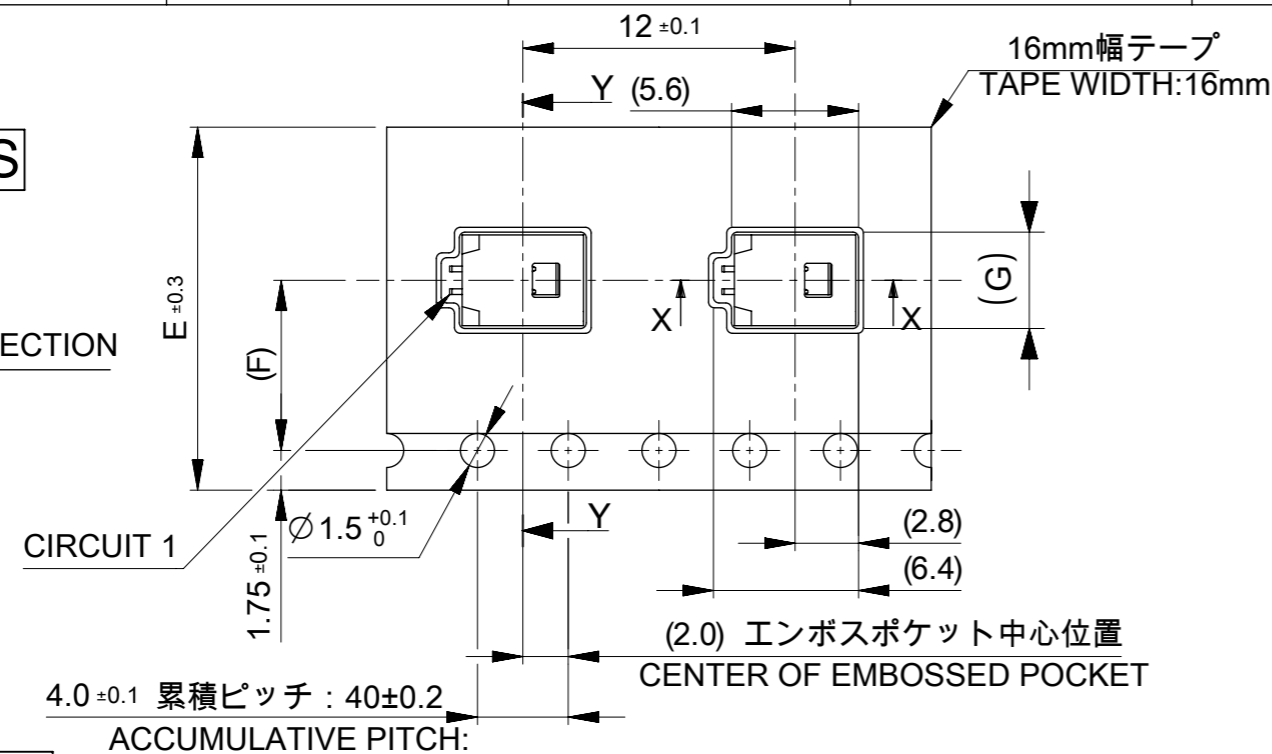
| | |
|------|--------------------|
| 33.4 | 15 |
| | 14 |
| | 13 |
| 25.4 | 12 |
| | 11 |
| | 10 |
| | 9 |
| | 8 |
| 17.5 | 7 |
| | 6 |
| | 5 |
| | 4 |
| D | 3 |
| | 2 |
| | 極数 CIRCUIT SIZE |

| 番号 NO. | 部品 PART | 材質 MATERIAL |
|-----------------|-------------|------------------------------------------------------------------------|
| ④ | リール REEL | ポリスチレン(PS) <リサイクル材を含む> POLYSTYRENE(PS) <RECYCLE MATERIAL CONTAINED> |
| DOCUMENT STATUS | P1 | RELEASE DATE 2022/03/08 09:37:19 |

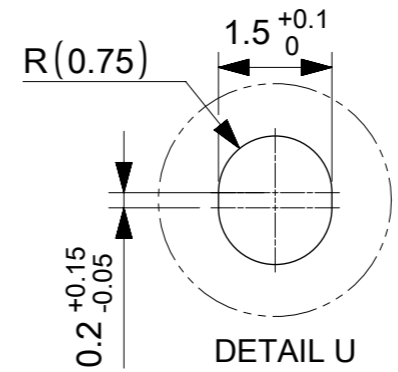
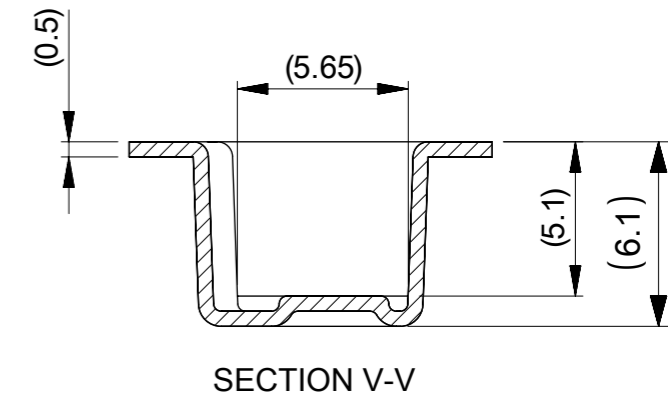
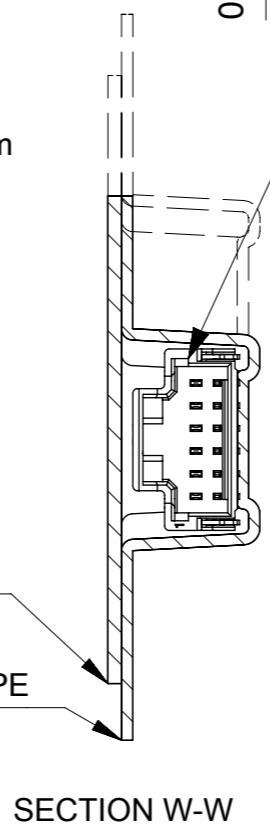
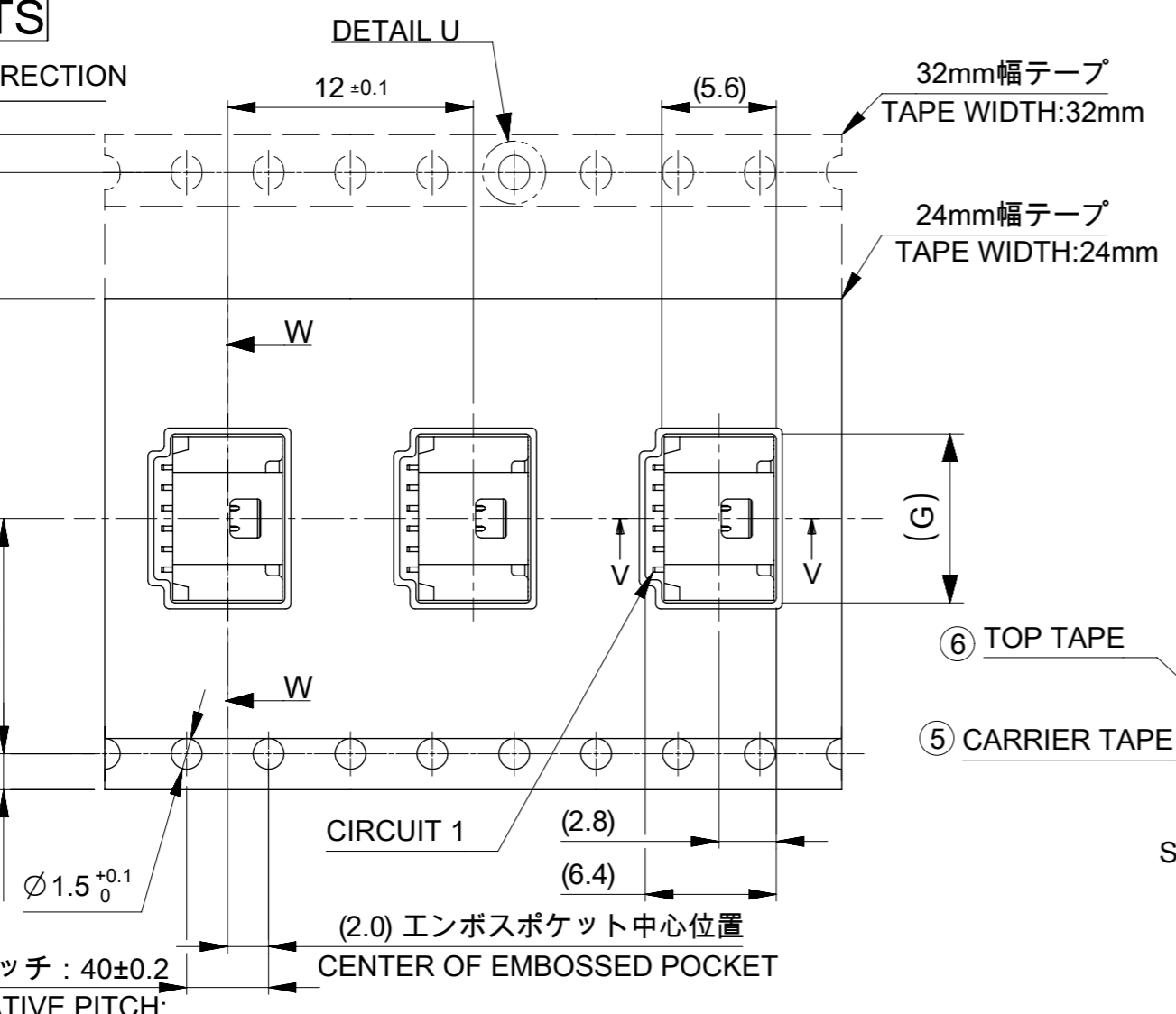
THIS DRAWING CONTAINS INFORMATION THAT IS PROPRIETARY TO MOLEX ELECTRONIC TECHNOLOGIES, LLC AND SHOULD NOT BE USED WITHOUT WRITTEN PERMISSION

| | | | | | | |
|------------------------------------------------------|--------------|-----------------------------|---------|----------------------------|-----------------|-------------------------------------------------------------------------------------|
| DIMENSION UNITS mm | SCALE NTS | CURRENT REV DESC: | | molex | | |
| GENERAL TOLERANCES (UNLESS SPECIFIED) | | EC NO: 698195 | | | | PICO-CLASP 1.0 W/B SINGLE ROW RA SMT INNER LOCK GOLD PLATING 0.38 MICRO-METER |
| ANGULAR TOL | ± 3.0 ° | DRWN: MIKEDA01 2022/02/28 | | PRODUCT CUSTOMER DRAWING | | |
| 4 PLACES | ± 0.2 | CHK'D: SAKIYAMA 2022/03/08 | | DOCUMENT NUMBER | | |
| 3 PLACES | ± 0.2 | APPR: AIDA 2022/03/08 | | 2035580000-SD | | |
| 2 PLACES | ± 0.2 | INITIAL REVISION: | | DOC TYPE DOC PART REVISION | | |
| 1 PLACE | ± 0.2 | DRWN: AISHIKAWA 2019/04/02 | | PSD 000 C | | |
| 0 PLACES | ± 0.2 | APPR: KOMURAKAMI 2019/04/05 | | SHEET NUMBER | | |
| DRAFT WHERE APPLICABLE MUST REMAIN WITHIN DIMENSIONS | | THIRD ANGLE PROJECTION | DRAWING | SERIES | MATERIAL NUMBER | CUSTOMER |
| | | | A3-SIZE | 203558 | SEE SHEET 6 | 4 OF 6 |

2~5 CIRCUITS



6~15 CIRCUITS



| | | | |
|------|-----------------------------------|-----------------------------|--------------------|
| 17.3 | | | 15 |
| 16.3 | 14.2 | 32 | 14 |
| 15.3 | | | 13 |
| 14.3 | | | 12 |
| 13.3 | | | 11 |
| 12.3 | | | 10 |
| 11.3 | 11.5 | 24 | 9 |
| 10.3 | | | 8 |
| 9.3 | | | 7 |
| 8.3 | | | 6 |
| 7.3 | | | 5 |
| 6.3 | 7.5 | 16 | 4 |
| 5.3 | | | 3 |
| 4.3 | | | 2 |
| G | コネクタ中心位置 F CENTER OF CONNECTOR | エンボステープ幅 E WIDTH OF TAPE | 極数 CIRCUIT SIZE |

| 番号 NO. | 部品 PART | 材質 MATERIAL |
|--------|-------------------------|-------------------------------------------|
| ⑤ | キャリアテープ CARRIER TAPE | ポリプロピレン(PP)、その他 POLYPROPYLENE(PP), etc |
| ⑥ | トップテープ TOP TAPE | ポリエチレン(PE)、その他 POLYETHYLENE(PE), etc |

| | | | | |
|-----------------|----|--------------|------------|----------|
| DOCUMENT STATUS | P1 | RELEASE DATE | 2022/03/08 | 09:37:19 |
|-----------------|----|--------------|------------|----------|

THIS DRAWING CONTAINS INFORMATION THAT IS PROPRIETARY TO MOLEX ELECTRONIC TECHNOLOGIES, LLC AND SHOULD NOT BE USED WITHOUT WRITTEN PERMISSION

| | | | |
|------------------------------------------------------|--------|-------------------|-----------------|
| DIMENSION UNITS | SCALE | CURRENT REV DESC: | |
| mm | NTS | | |
| GENERAL TOLERANCES (UNLESS SPECIFIED) | | | |
| ANGULAR TOL | ± 3.0° | | |
| 4 PLACES | ± 0.2 | EC NO: 698195 | |
| 3 PLACES | ± 0.2 | DRWN: MIKEDA01 | 2022/02/28 |
| 2 PLACES | ± 0.2 | CHK'D: SAKIYAMA | 2022/03/08 |
| 1 PLACE | ± 0.2 | APPR: AIDA | 2022/03/08 |
| 0 PLACES | ± 0.2 | INITIAL REVISION: | |
| DRAFT WHERE APPLICABLE MUST REMAIN WITHIN DIMENSIONS | | DRWN: AISHIKAWA | 2019/04/02 |
| THIRD ANGLE PROJECTION | | APPR: KOMURAKAMI | 2019/04/05 |
| DRAWING | | SERIES | MATERIAL NUMBER |
| A3-SIZE | | 203558 | SEE SHEET 6 |
| DOCUMENT NUMBER | | DOC TYPE | DOC PART |
| 2035580000-SD | | PSD | 000 |
| CUSTOMER | | SHEET NUMBER | |
| | | 5 OF 6 | |

molex

PICO-CLASP 1.0 W/B
SINGLE ROW RA SMT INNER LOCK GOLD PLATING
0.38 MICRO-METER

PRODUCT CUSTOMER DRAWING

10 9 8 7 6 5 4 3 2 1

F
E
D
C
B
A

F
E
D
C
B
A

△13 △15 製品一覧 PRODUCT LIST

| | | |
|-----------------------|------|--------------|
| HOUSING COLOR | | |
| NATURAL(BEIGE) | | |
| 203558 | 1507 | 15 |
| ↑ | 1407 | 14 |
| | 1307 | 13 |
| | 1207 | 12 |
| | 1107 | 11 |
| | 1007 | 10 |
| | 0907 | 9 |
| | 0807 | 8 |
| | 0707 | 7 |
| | 0607 | 6 |
| | 0507 | 5 |
| | 0407 | 4 |
| ↓ | 0307 | 3 |
| 203558 | 0207 | 2 |
| 発注番号 ORDER No. | | 極数 |
| 梱包形態：エンボスリール | | CIRCUIT SIZE |
| PACKAGE:EMBOSSED REEL | | |

| | | | | | | | | | | | | | |
|-----------------------------------------------------------------------------------------------------------------------------------------------|--|---------|------------------------|-------------------------------------------------------------------------------------------------------------------------------------------------------------------------------------|---------|--|--------|--------------------------|-----------------|-------------------------------------------|--|----------|--|
| THIS DRAWING CONTAINS INFORMATION THAT IS PROPRIETARY TO MOLEX ELECTRONIC TECHNOLOGIES, LLC AND SHOULD NOT BE USED WITHOUT WRITTEN PERMISSION | | | | | | | | | | | | | |
| DIMENSION UNITS | | SCALE | | CURRENT REV DESC: | | | | molex | | | | | |
| mm | | NTS | | | | | | | | | | | |
| GENERAL TOLERANCES (UNLESS SPECIFIED) | | | | EC NO: 698195 DRWN: MIKEDA01 2022/02/28 CHK'D: SAKIYAMA 2022/03/08 APPR: AIDA 2022/03/08 INITIAL REVISION: DRWN: AISHIKAWA 2019/04/02 APPR: KOMURAKAMI 2019/04/05 | | | | PICO-CLASP 1.0 W/B | | SINGLE ROW RA SMT INNER LOCK GOLD PLATING | | | |
| ANGULAR TOL | | ± 3.0 ° | | | | | | PRODUCT CUSTOMER DRAWING | | | | | |
| 4 PLACES | | ± 0.2 | | | | | | DOCUMENT NUMBER | | DOC TYPE | | DOC PART | |
| 3 PLACES | | ± 0.2 | | | | | | 2035580000-SD | | PSD | | 000 | |
| 2 PLACES | | ± 0.2 | | | | | | REVISION | | C | | | |
| 1 PLACE | | ± 0.2 | | | | | | | | | | | |
| 0 PLACES | | ± 0.2 | | | | | | | | | | | |
| DRAFT WHERE APPLICABLE MUST REMAIN WITHIN DIMENSIONS | | | THIRD ANGLE PROJECTION | | DRAWING | | SERIES | | MATERIAL NUMBER | | | | |
| | | | | | A3-SIZE | | 203558 | | SEE SHEET 6 | | | | |
| | | | | | | | | | CUSTOMER | | | | |
| | | | | | | | | | SHEET NUMBER | | | | |
| | | | | | | | | | 6 OF 6 | | | | |

| | | | | |
|-----------------|----|--------------|------------|----------|
| DOCUMENT STATUS | P1 | RELEASE DATE | 2022/03/08 | 09:37:19 |
|-----------------|----|--------------|------------|----------|

9 8 7 6 5 4 3 2 1

FORMAT: master-b-prod-A3
REVISION: 11
DATE: 2021/05/01