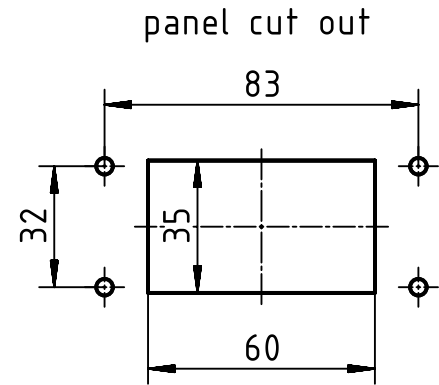
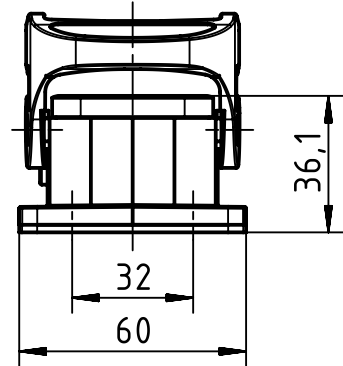
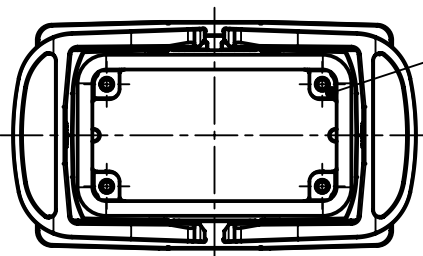
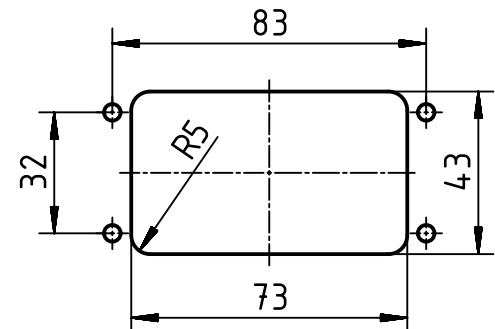


FKM seal

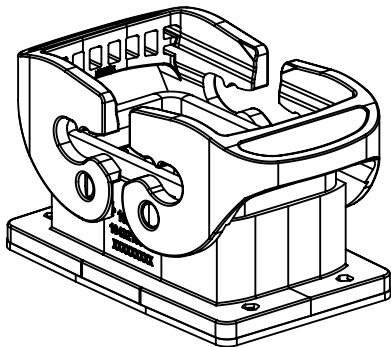
FKM gasket separately enclosed




panel cut out for assembly from the inner side of cabinet



carrier frame separately enclosed



	All Dimensions in mm Original Size DIN A4		Scale 1:2	Free size tol.		Ref.	
	All rights reserved Department EL PD - DE		Created by ROEBEN	Inspected by SCHENK	Standardisation RUETERA	Date 2018-04-09	State Final Release
HARTING Electric GmbH & Co. KG D-32339 Espelkamp			Title Han-Eco 10B-HBM-with DL			Doc-Key / ECM-Nr. 100742549/UGD/001/B 500000133000	
			Type TB	Number 19 43 210 0320		Rev. B	Page 1/1