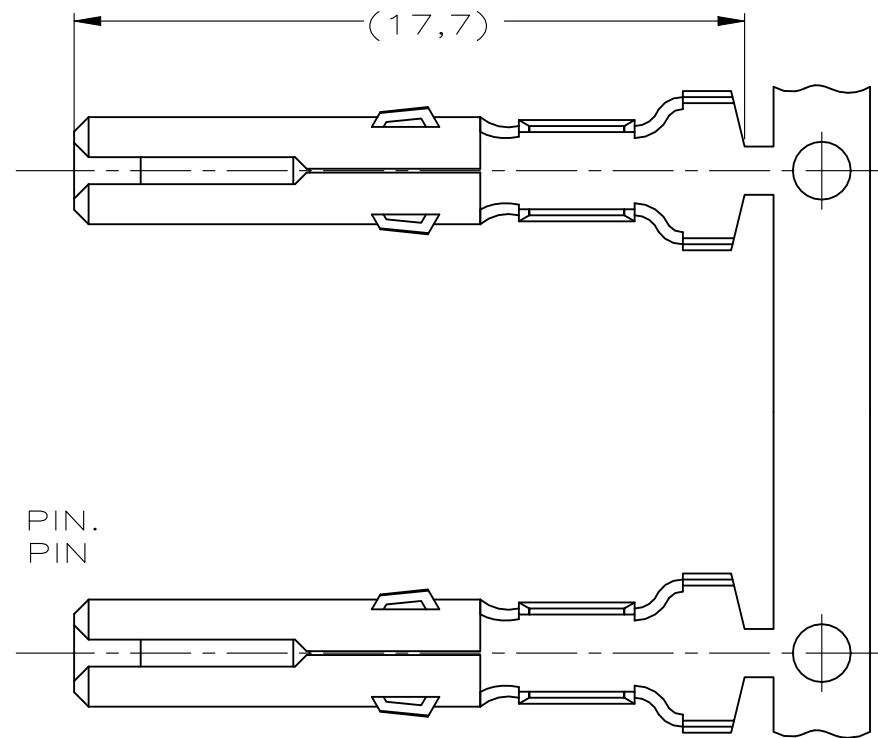
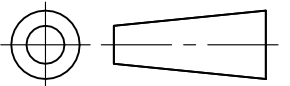


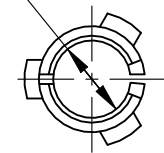
DO NOT SCALE
DIMENSIONS IN mm

METRIC

THIRD ANGLE
PROJECTION

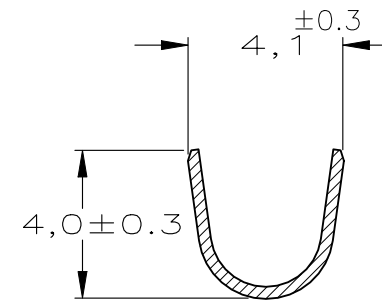


FOR 2,1 DIA. PIN.
MATE-N-LOK PIN

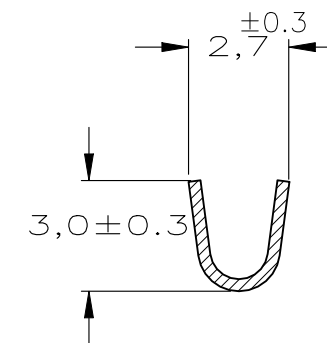


NOTES:

- ① FOR USE ON STANDARD APPLICATORS.(RIGHT-LEFT FEED)
- ② FOR USE ON MINIATURE APPLICATORS.(LEFT-RIGHT FEED)
- ③ FOR USE ON MINIATURE APPLICATORS,
AMP O-MATOR APPLICATION.(LEFT-RIGHT FEED)
- ④ OBSOLETE PARTS: OBSOLETE CIS STREAMLINING PER D.RENAUD/D.SINISI

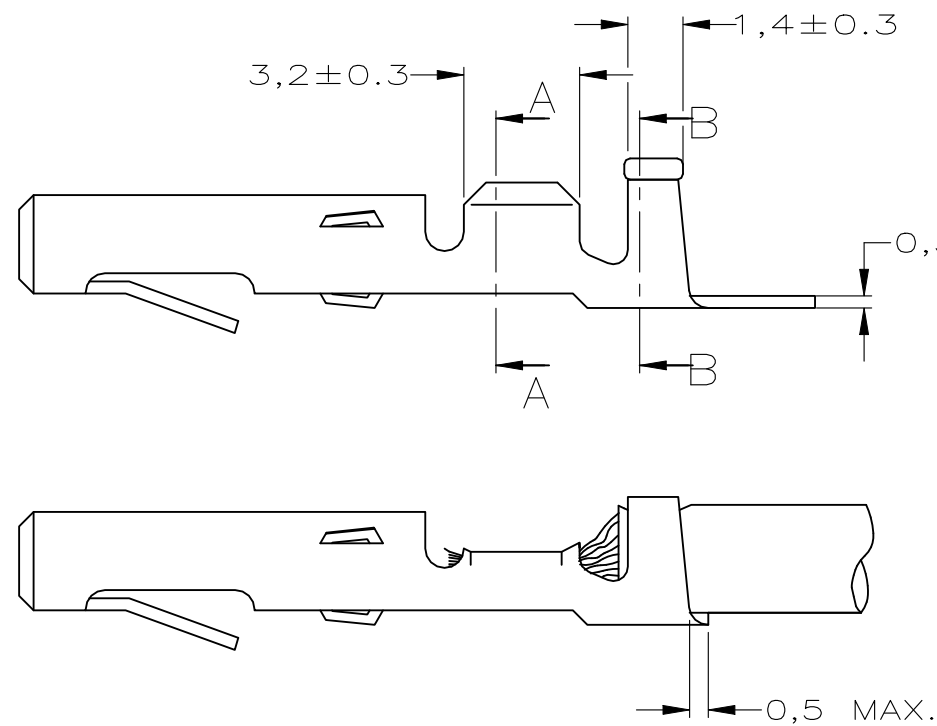


SECTION B-B



SECTION A-A

WIRE RANGE :
0,5-1,0mm² AWG
INSULATION RANGE :
1,8-3,3mm DIA.



④	OBSOLETE	②	SEL. GOLD	BRASS	8-163300-1
	OBSOLETE	③	PRE-TINPLATED	BRASS	1-163300-5
		②	PRE-TINPLATED	PHOSPHOR BR.	163300-8
	OBSOLETE	②	UNPLATED	PHOSPHOR BR.	163300-7
		②	PRE-TINPLATED	BRASS	163300-6
	OBSOLETE	②	UNPLATED	BRASS	163300-5
④	OBSOLETE	①	PRE-TINPLATED	PHOSPHOR BR.	163300-4
	OBSOLETE	①	UNPLATED	PHOSPHOR BR.	163300-3
		①	PRE-TINPLATED	BRASS	163300-2
	OBSOLETE	①	UNPLATED	BRASS	163300-1
			PLATING	PLATING	MATERIAL
					PARTNUMBER

—					CUSTOMER DRAWING		FOR REFERENCE ONLY WILL NOT BE UPDATED	
—					©		COPYRIGHT - BY	
—							ALL INTERNATIONAL RIGHTS RESERVED.	
J5					REVISED PER ECN 23-195825		WLS VS 30JAN2023	
J4					REVISED PER ECR-21-111103		PJ VS 18AUG2021	
J3					REVISED PER ECR-21-101087		PJ VS 11MAY2021	
J2					REVISED PER ECO-11-005294		RK HMR 13APR11	
LTR.		REVISION RECORD		DR.		CHK.		DATE
DR.:		J.V.D.HEIJDEN.		CHK.:		A.BIJNEN.		APP.:
DATE:		10-04-92		DATE:		-		DATE:
								L.V.SOEST.
								DWG.No.
								163300
								REV.LTR.
								J5
								SHEET
								1 OF 1
								A3