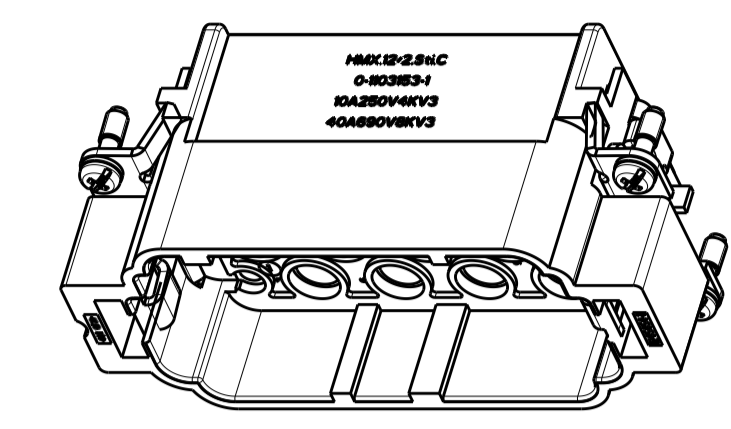
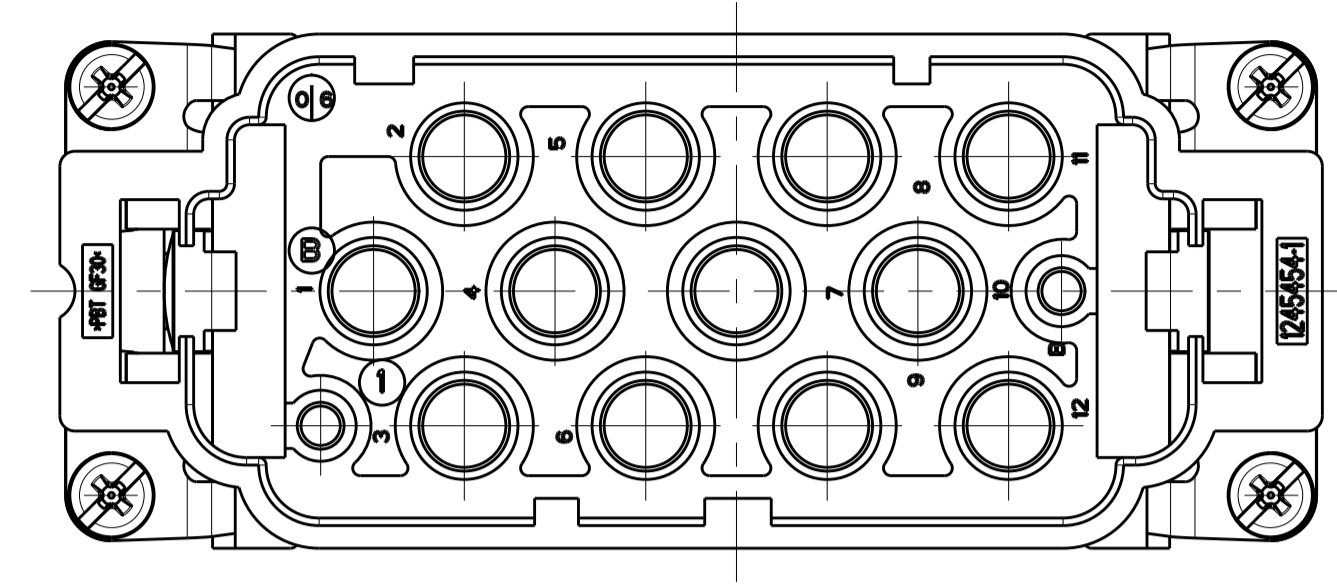


LOC	DIST	REVISIONS					
		P	LTR	DESCRIPTION	DATE	DWN	APVD
A1	-	B1	ECR-09-026756		04FEB2010	SR	ME
		B2	REVISED PER ECR-17-014412		03APR18	NG	MKO

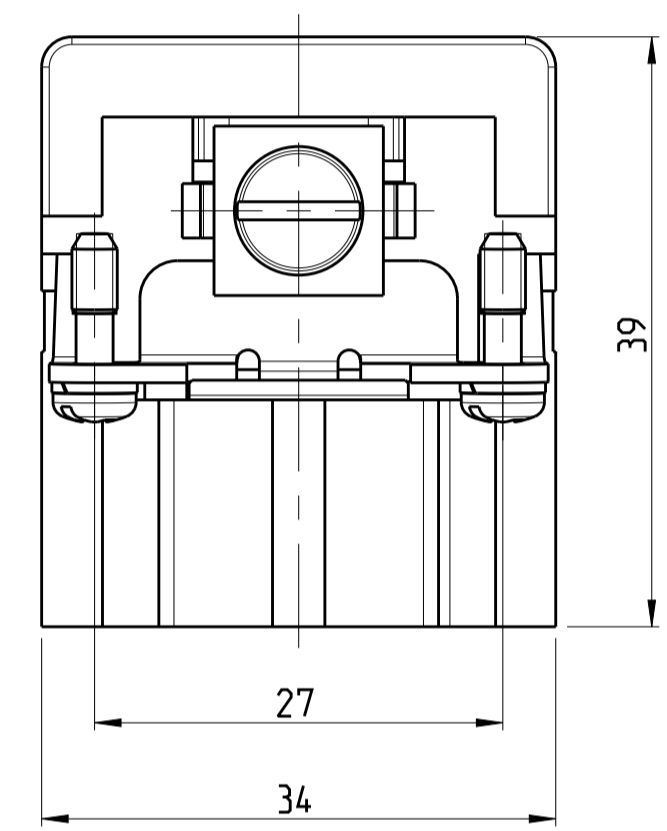
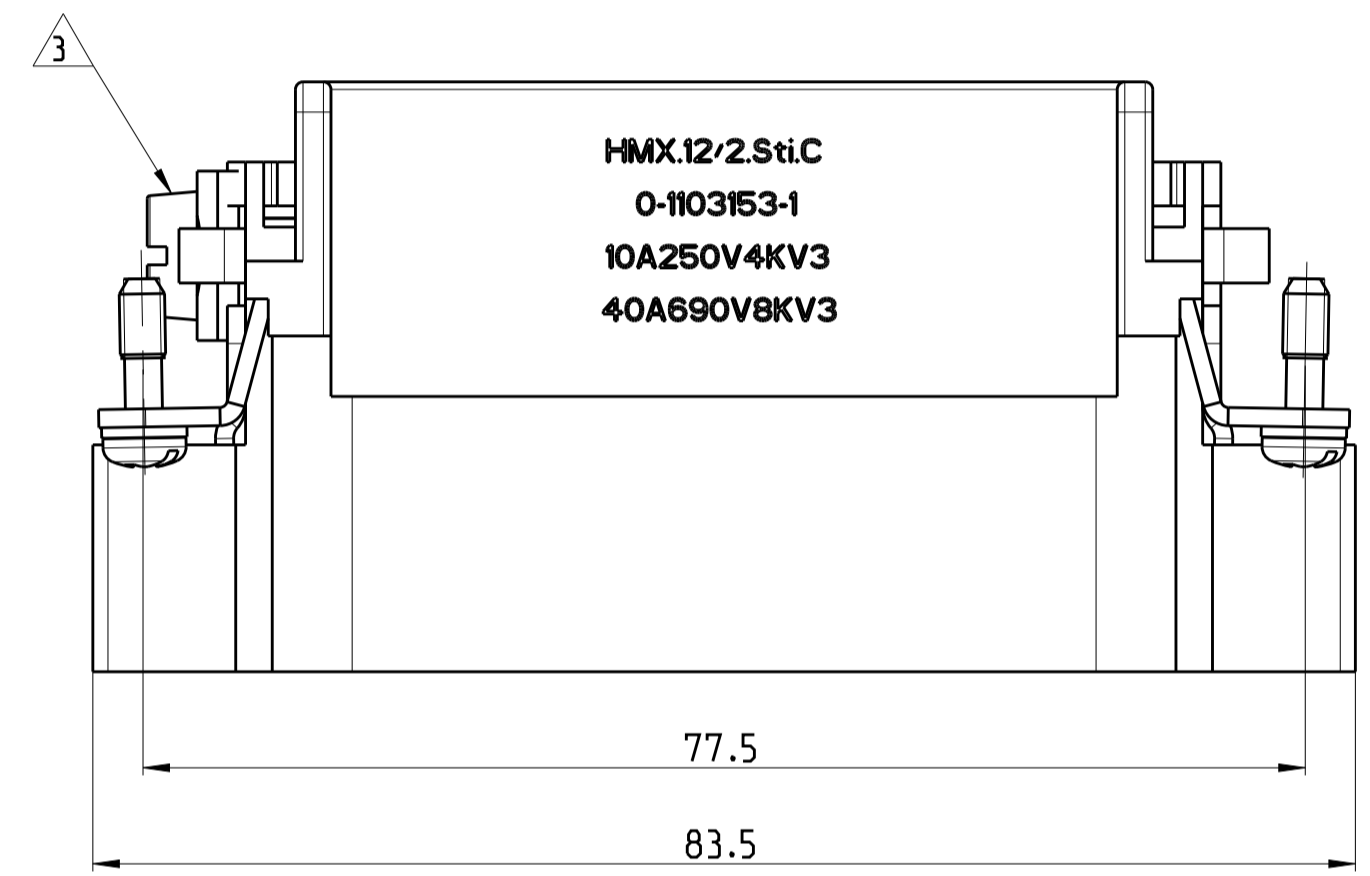
CONTACT ARRANGEMENT VIEW FROM CONNECTING SIDE



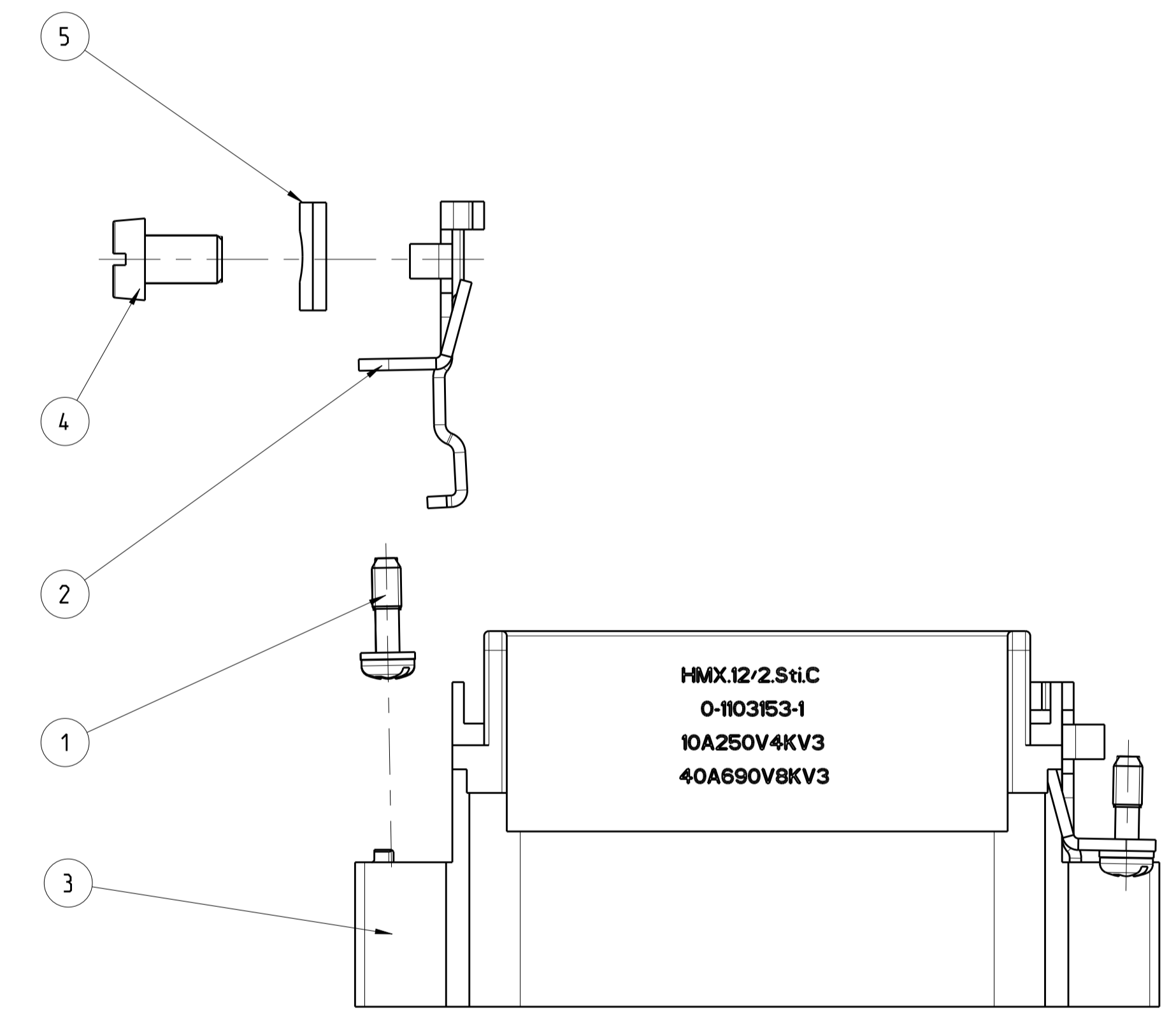
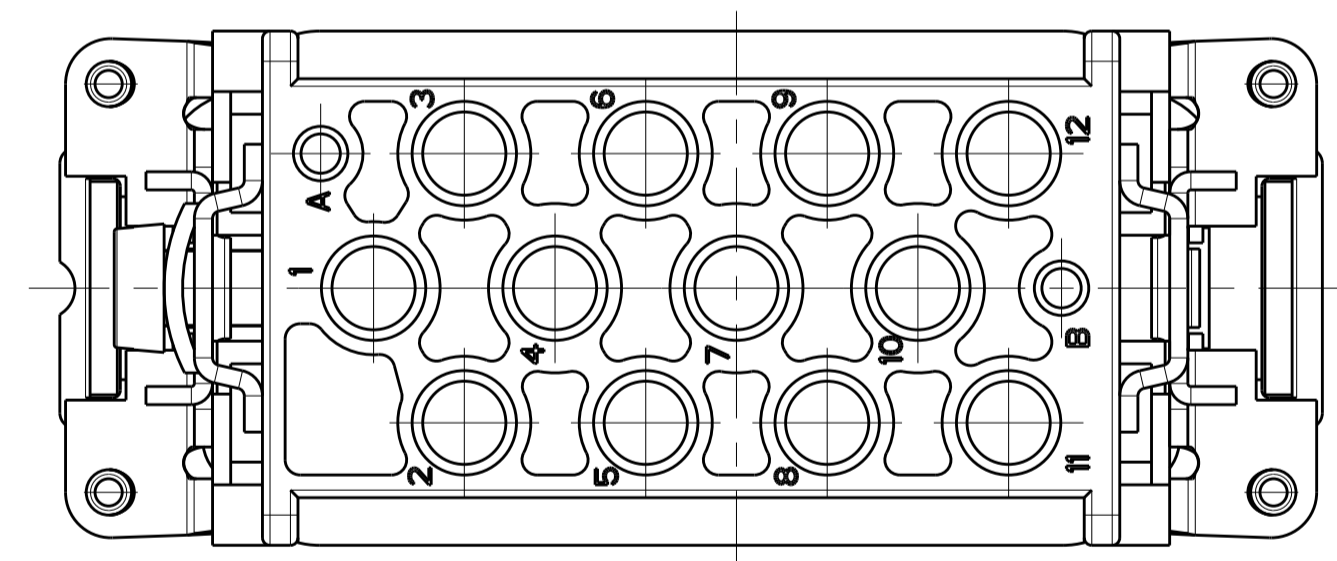
PN 0-1 AS SHOWN
 ORDERING TEXT: HMX.12/2.Sti.C

NOTES

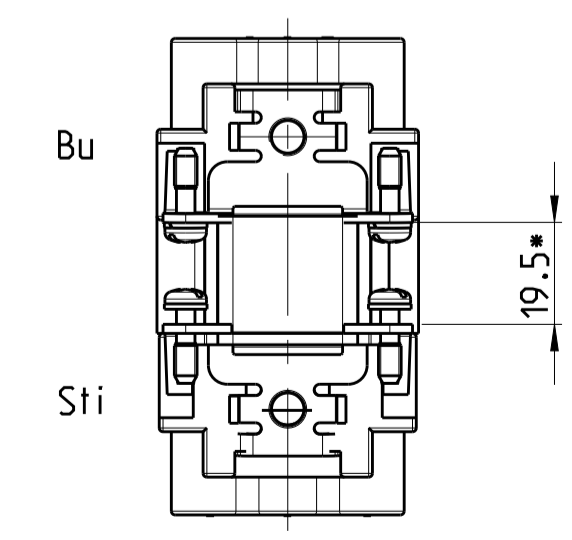
- POVER CONTACT : 1 TO 12
 OUTER DIMENSIONS OF INSULATION: MAX. 6.5MM
- SIGNAL CONTACT: A TO B
 OUTER DIMENSIONS OF INSULATION: MAX. 3.2MM
- SUITABLE HOOD SIZE 6
 SERIES HB, HD, EMV AND HIP
- STANDARDS:
 DIN EN 61984; DIN EN 60664-1
- PACKAGING:
 5 PIECES IN A CARTON BOX



CONTACT ARRANGEMENT VIEW FROM CONNECTING SIDE



•DISTANCE FOR QUARANTEED CONTACT 21 MM MAX



SUPERSEDED BY T2120142101-000

QTY	DESCRIPTION	MATERIAL	SURFACE	ITEM
1	CLIP TAB	STEEL	NICKEL PLATED	5
1	CYLINDER SCREW . M5	STEEL	NICKEL PLATED	4
1	FEMALE INSERT	VALOX 420SEO	VDI 3400-24	3
2	GRUNDING CONTACT-SOCKET	Cu Zn37 F38	Cu/Ni 5b	2
4	FIXING SCREW ASSY	St.8.8	Ni	1
0-1	HMX.12/2.Sti.C			

THIS DRAWING IS A CONTROLLED DOCUMENT. DWG: R.SCHNEIDER 04FEB2010
 CHE: T.SCHNURPEIL 04FEB2010

TE Connectivity

MALE INSERT ASSY
 HMX.12/2.Sti.C

SIZE: A1 CAGE CODE: 00779 DRAWING NO: C-1103153

CUSTOMER DRAWING SCALE: 5:1 SHEET 1 OF 1 REV: B2