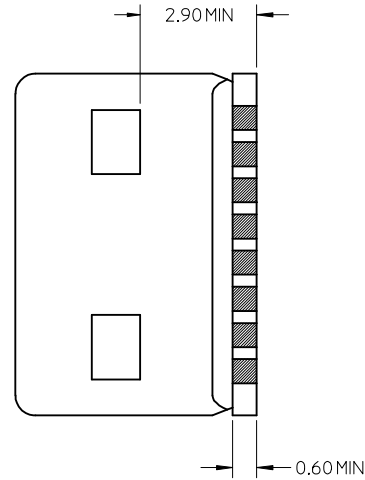
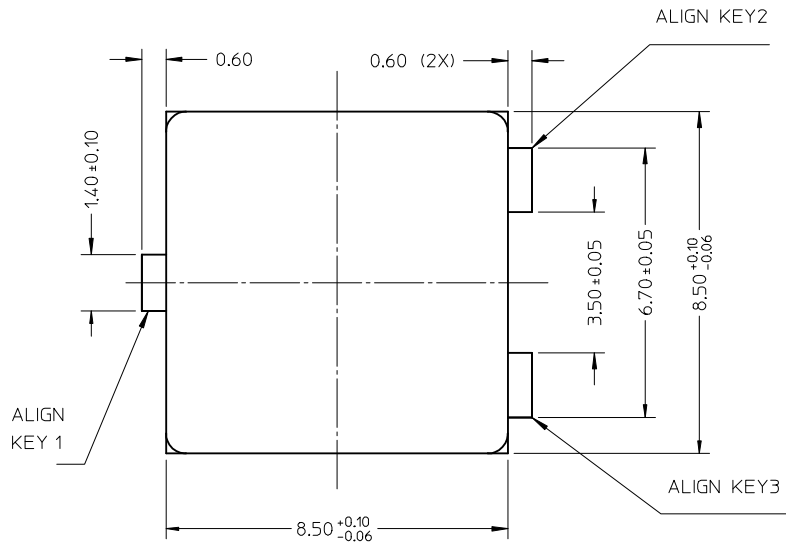
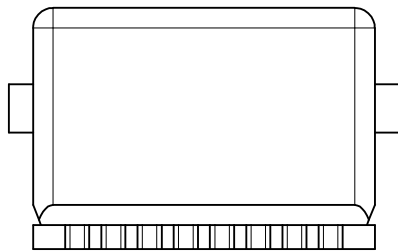
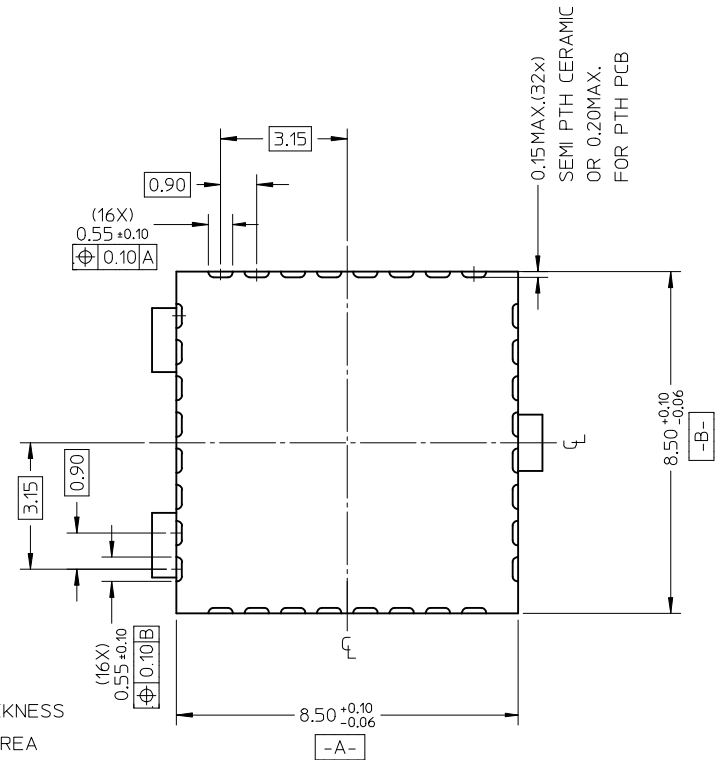




# APPLIED CAMERA MODULE



SEMI PTH THICKNESS  
IN CONTACT AREA  
OR 0.50MIN  
PTH THICKNESS IN  
CONTACT AREA

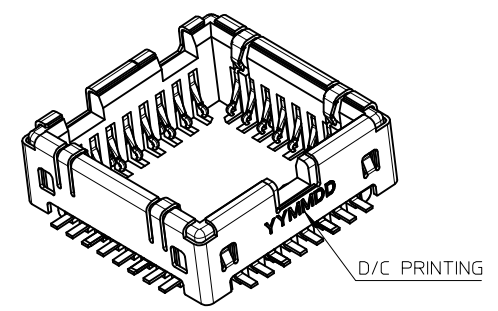
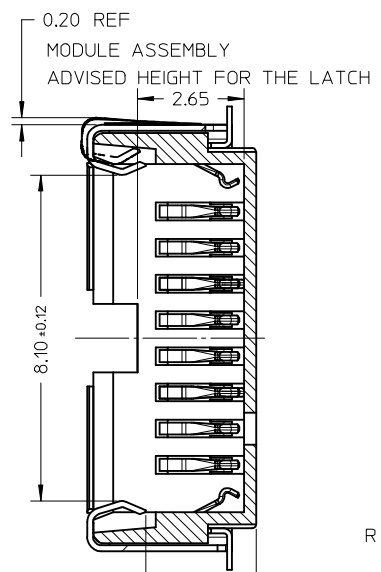
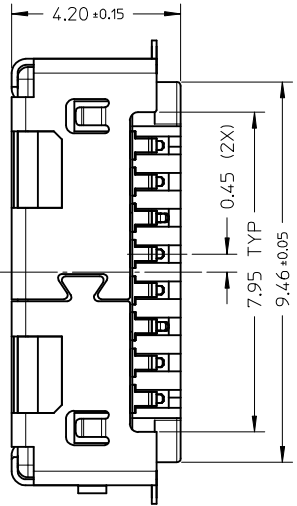
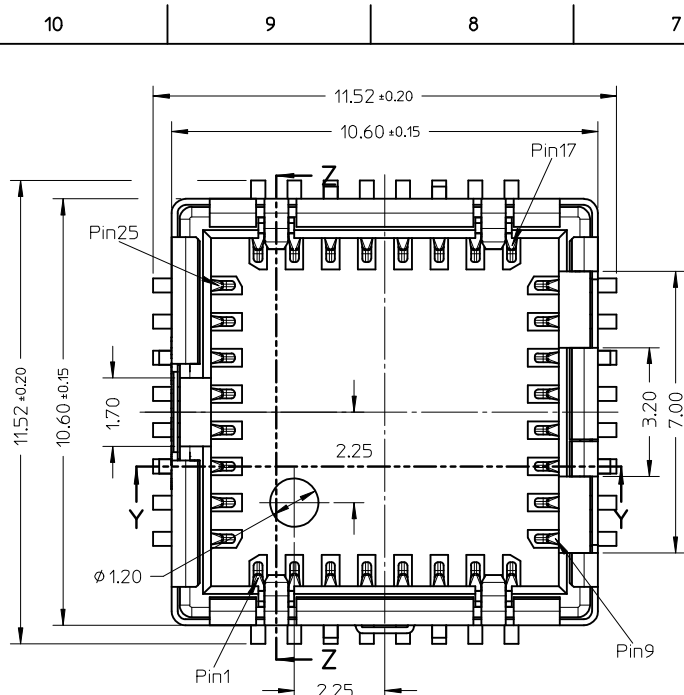


NOTES:  
ALIGN KEYS ARE OPTION BY CUSTOMER.

RELEASE EC NO: SH2013-0427 DRW: CGL CHKD: APPR: AYIN 2013/05/29 2013/07/18	DESCRIPTION 1	QUALITY SYMBOLS	GENERAL TOLERANCES (UNLESS SPECIFIED)		DIMENSION STYLE MM ONLY		SCALE 8:1	DESIGN UNITS METRIC	THIRD ANGLE PROJECTION	
		$F_A = 0$ $F_G = 0$ $F_P = 0$	mm    INCH 4 PLACES ± --- ± --- 3 PLACES ± --- ± --- 2 PLACES ± 0.10 ± --- 1 PLACE ± 0.15 ± ---	DRAWN BY CGL	DATE 2013/05/29	TITLE 8.5*8.5 CAMERA SOCKET SINK TYPE CONNECTOR				
		ANGULAR ± 2 °	DRAFT WHERE APPLICABLE MUST REMAIN WITHIN DIMENSIONS	CHECKED BY	DATE	APPROVED BY AYIN    2013/07/18				
				MATERIAL NO. N/A	DOCUMENT NO. RSD-105028-201	SHEET NO. 2 OF 2				

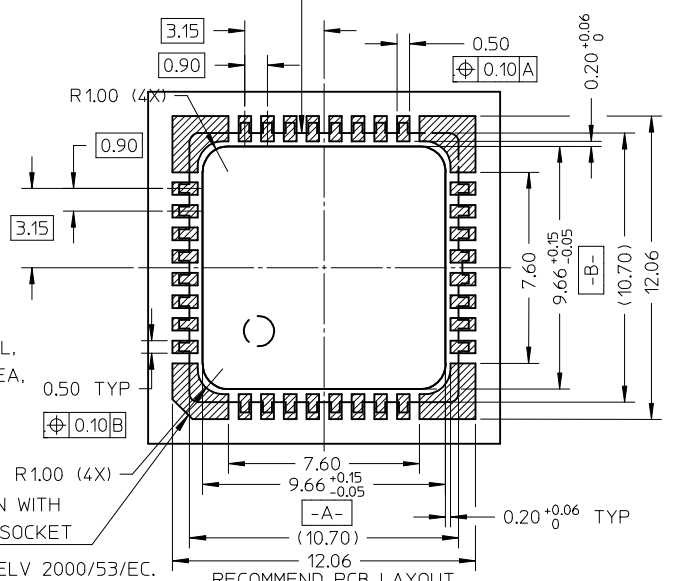
**molex**

THIS DRAWING CONTAINS INFORMATION THAT IS PROPRIETARY TO MOLEX INCORPORATED AND SHOULD NOT BE USED WITHOUT WRITTEN PERMISSION



SCALE 5:1

SOCKET OUTLINE IN NORMAL



NOTES:

- MATERIALS  
HOUSING: HIGH TEMPERATURE PLASTICS, BLACK, UL94 V-0  
TERMINAL: COPPER ALLOY.  
SHELL: COPPER ALLOY.
- FINISH  
TERMINAL: 2-4 MICROMETER NICKEL UNDERPLATING OVERALL,  
GOLD PLATING 0.3 MICROMETER ON CONTACT AREA,  
GOLD FLASH PLATING ON SOLDER AREA.  
SHELL: 1.27 MICROMETER MIN SOLDERABILITY NICKEL UNDERPLATING OVERALL
- PRODUCT SPECIFICATION: RPS-105028-201.
- PACKAGING: TAPE&REEL.DETAIL SEE PK-105028-201.
- APPLICABLE CAMERA MODULE SEE SHEET 3.
- 1050282001 COMPLIANT TO RoHS DIRECTIVE 2002/95/EC AND ELV 2000/53/EC.
- DATE CODE CONTAIN: YYMMDD(YEAR-MONTH-DAY).
- A SUPPORTING MECHANISM IS NEEDED UNDER THE SOCKET.

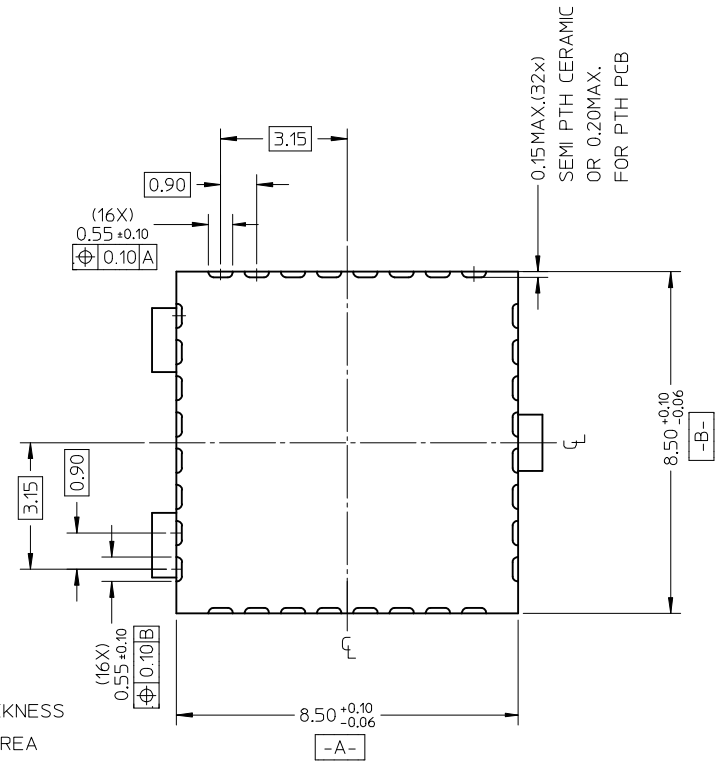
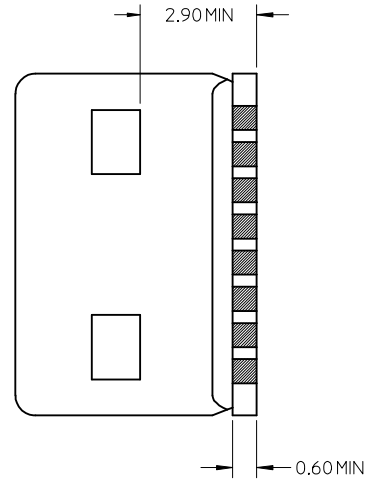
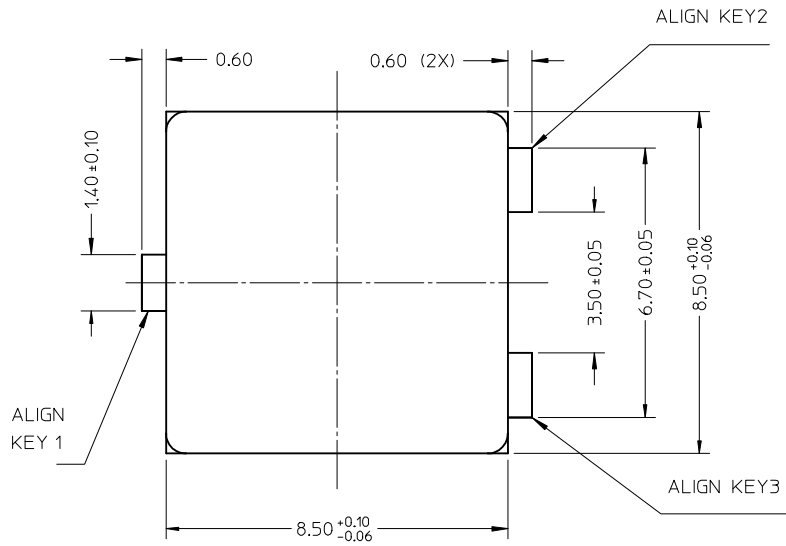
REVISED	DESCRIPTION	QUALITY SYMBOLS
EC NO: SH2013-0427	2013/05/29	$F_A=0$
DRW: CGL	2013/07/18	$F_B=0$
CHKD:		$F_C=0$
APPR: AYIN		$F_D=0$
REV		

GENERAL TOLERANCES (UNLESS SPECIFIED)	
mm	INCH
4 PLACES	± --- ± ---
3 PLACES	± --- ± ---
2 PLACES	± 0.10 ± ---
1 PLACE	± 0.15 ± ---
ANGULAR ± 2 °	
DRAFT WHERE APPLICABLE MUST REMAIN WITHIN DIMENSIONS	

DIMENSION STYLE	
MM ONLY	
DRAWN BY	DATE
CGL	2013/05/29
CHECKED BY	DATE
APPROVED BY	DATE
AYIN	2013/07/18
MATERIAL NO.	
1050282001	
SIZE	
A3	

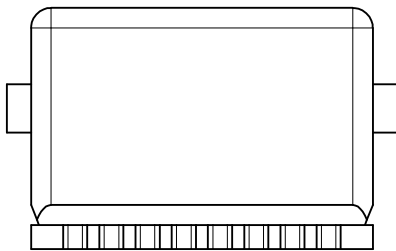
SCALE	DESIGN UNITS	THIRD ANGLE PROJECTION
8:1	METRIC	
TITLE		
8.5*8.5 CAMERA SOCKET SINK TYPE CONNECTOR		
DOCUMENT NO.		SHEET NO.
RSD-105028-201		1 OF 2
THIS DRAWING CONTAINS INFORMATION THAT IS PROPRIETARY TO MOLEX INCORPORATED AND SHOULD NOT BE USED WITHOUT WRITTEN PERMISSION		

# APPLIED CAMERA MODULE



SEMI PTH THICKNESS  
IN CONTACT AREA  
OR 0.50MIN  
PTH THICKNESS IN  
CONTACT AREA

NOTES:  
ALIGN KEYS ARE OPTION BY CUSTOMER.



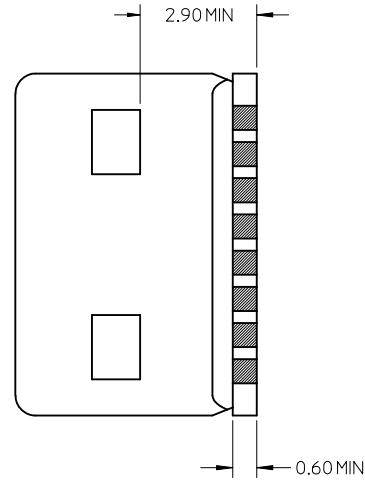
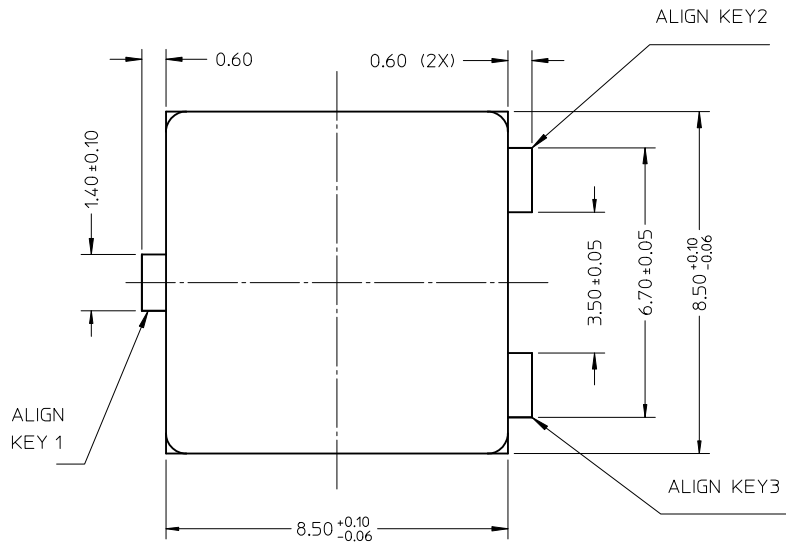
<b>RELEASE</b> EC NO: SH2013-0427 DRW: CGL CHKD: APPR: AYIN 2013/05/29 2013/07/18	DESCRIPTION 1	QUALITY SYMBOLS	GENERAL TOLERANCES (UNLESS SPECIFIED)		DIMENSION STYLE MM ONLY		SCALE 8:1	DESIGN UNITS METRIC	THIRD ANGLE PROJECTION	
		$F_A = 0$ $F_G = 0$ $F_P = 0$	mm    INCH 4 PLACES ± --- ± --- 3 PLACES ± --- ± --- 2 PLACES ± 0.10 ± --- 1 PLACE ± 0.15 ± ---	DRAWN BY CGL	DATE 2013/05/29	TITLE 8.5*8.5 CAMERA SOCKET SINK TYPE CONNECTOR				
		ANGULAR ± 2 °	DRAFT WHERE APPLICABLE MUST REMAIN WITHIN DIMENSIONS	CHECKED BY	DATE	APPROVED BY AYIN    2013/07/18				
				MATERIAL NO. N/A	DOCUMENT NO. RSD-105028-201	SHEET NO. 2 OF 2				

**molex**

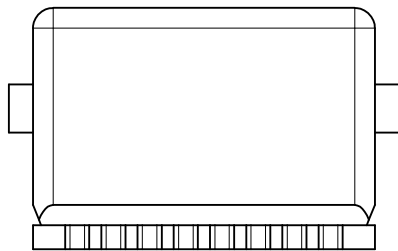
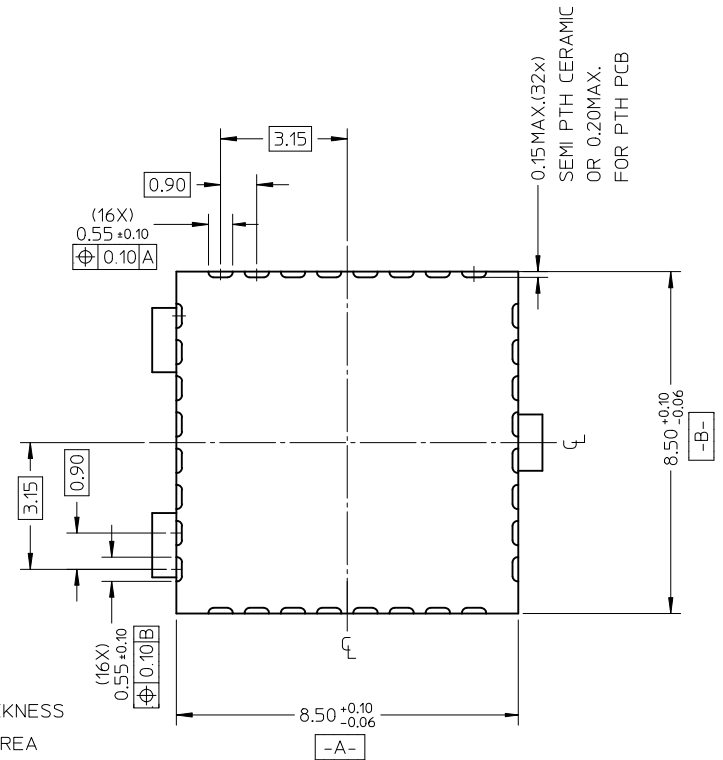
THIS DRAWING CONTAINS INFORMATION THAT IS PROPRIETARY TO MOLEX INCORPORATED AND SHOULD NOT BE USED WITHOUT WRITTEN PERMISSION



# APPLIED CAMERA MODULE



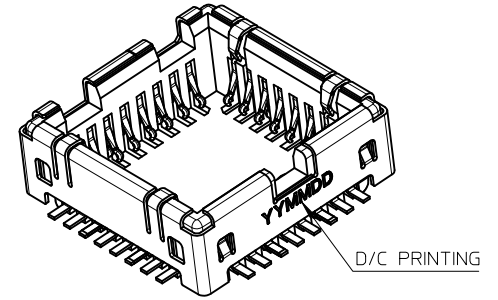
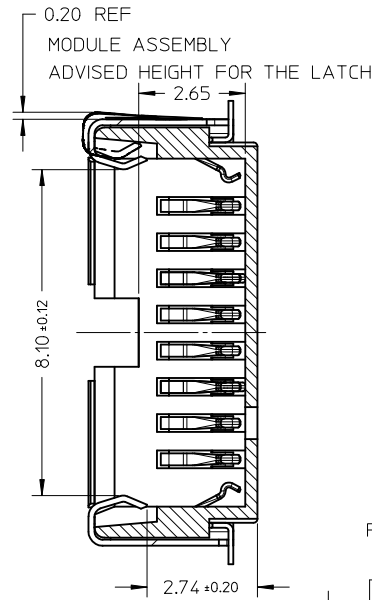
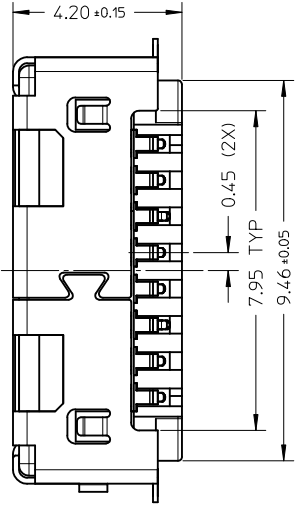
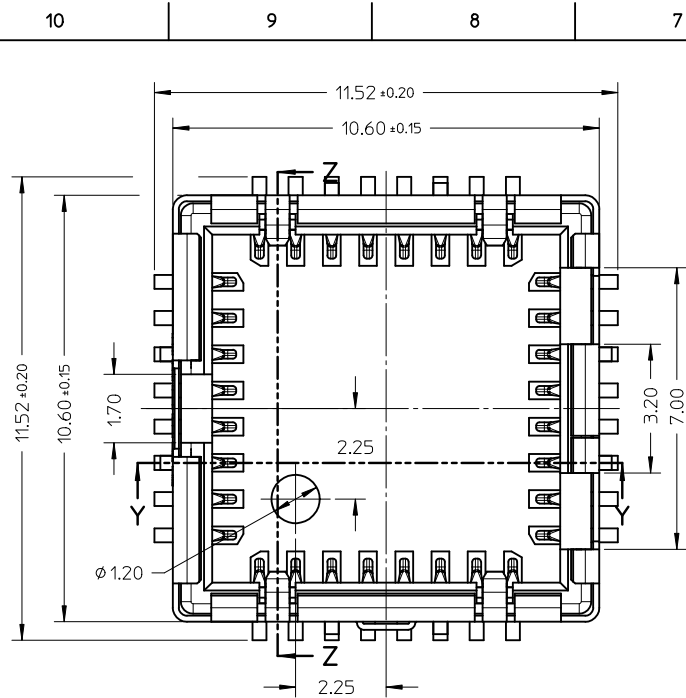
SEMI PTH THICKNESS  
IN CONTACT AREA  
OR  $0.50$ MIN  
PTH THICKNESS IN  
CONTACT AREA



## NOTES:

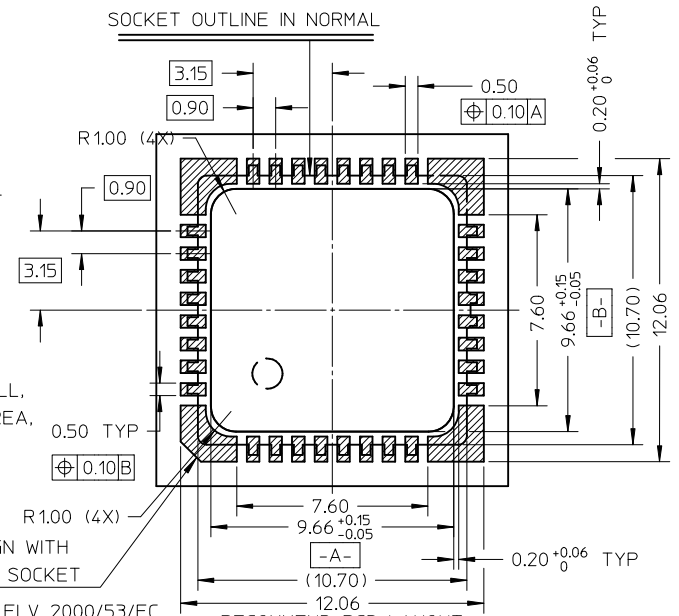
ALIGN KEYS ARE OPTION BY CUSTOMER.

RELEASE EC NO: SH2010-0371 DRWN: JCHENG 2010/03/24 CHKD: WFDENG 2009/04/27 APPR: WFDENG 2010/04/21	DESCRIPTION REV	QUALITY SYMBOLS	GENERAL TOLERANCES (UNLESS SPECIFIED)		DIMENSION STYLE MM ONLY		SCALE 8:1	DESIGN UNITS METRIC	THIRD ANGLE PROJECTION	
		$F_A=0$	mm	INCH	DRAWN BY WFDENG	DATE 2009/03/23	TITLE 8.5*8.5 CAMERA SOCKET SINK TYPE CONNECTOR			
		$F_C=0$	4 PLACES ± ---	± ---	CHECKED BY WFDENG	DATE 2009/04/27	MOLEX INCORPORATED			
		$F_P=0$	2 PLACES ± 0.10	± ---	APPROVED BY WFDENG	DATE 2010/04/12	DOCUMENT NO. SD-105028-201			
			1 PLACE ± 0.15	± ---	MATERIAL NO. N/A		SHEET NO. 2 OF 2			
			ANGULAR ± 2 °		SIZE A3		THIS DRAWING CONTAINS INFORMATION THAT IS PROPRIETARY TO MOLEX INCORPORATED AND SHOULD NOT BE USED WITHOUT WRITTEN PERMISSION			
			DRAFT WHERE APPLICABLE MUST REMAIN WITHIN DIMENSIONS							



SCALE 5:1

SOCKET OUTLINE IN NORMAL



RECOMMEND PCB LAYOUT TOLERANCE ±0.05, THICKNESS: 0.70mm MIN. SCALE 5:1

NOTES:

1. MATERIALS

HOUSING: HIGH TEMPERATURE PLASTICS, BLACK, UL94 V-0  
 TERMINAL: COPPER ALLOY.  
 SHELL: COPPER ALLOY.

2. FINISH

TERMINAL: 2-4 MICROMETER NICKEL UNDERPLATING OVERALL, GOLD PLATING 0.3 MICROMETER ON CONTACT AREA, GOLD FLASH PLATING ON SOLDER AREA.  
 SHELL: 1.27 MICROMETER MIN SOLDERABILITY NICKEL UNDERPLATING OVERALL

3. PRODUCT SPECIFICATION: RPS-105028-201.

4. PAKAGING: TAPE&REEL.DETAIL SEE PK-105028-201.

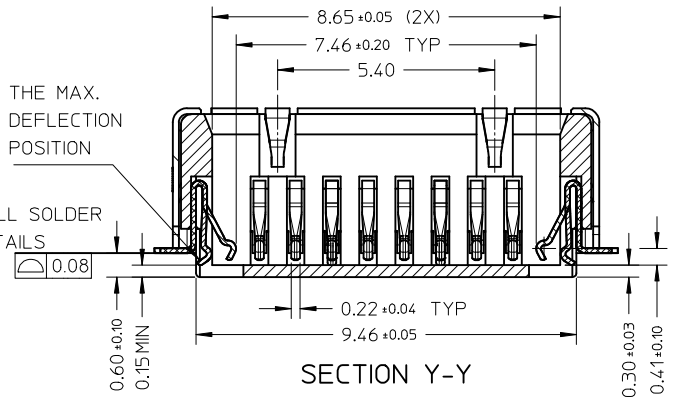
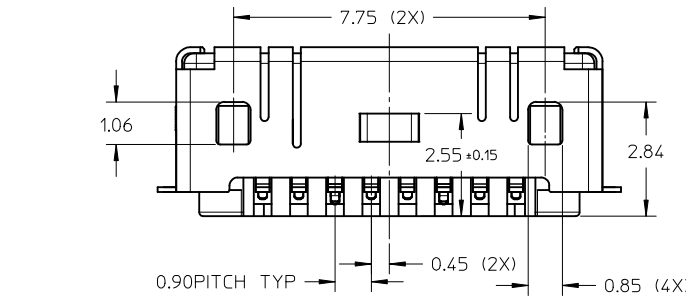
5. APPLICABLE CAMERA MODULE SEE SHEET 3.

6. 1050282001 COMPLIANT TO RoHS DIRECTIVE 2002/95/EC AND ELV 2000/53/EC.

7. DATE CODE CONTAIN: YYMMDD(YEAR-MONTH-DAY).

8. A SUPPORTING MECHANISM IS NEEDED UNDER THE SOCKET.

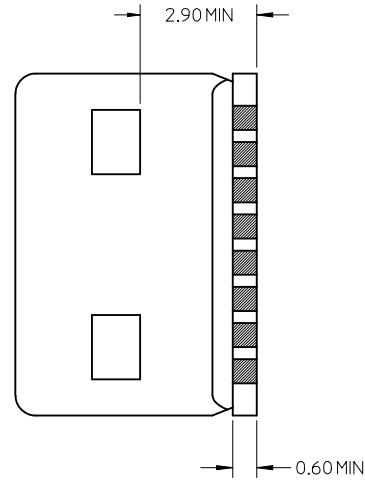
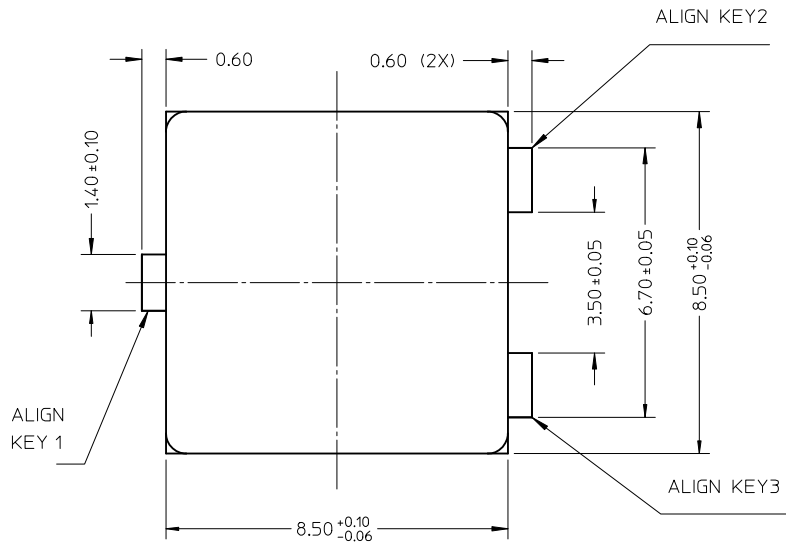
C0.8 ALIGN WITH HOLE ON SOCKET



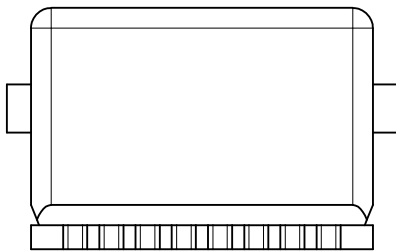
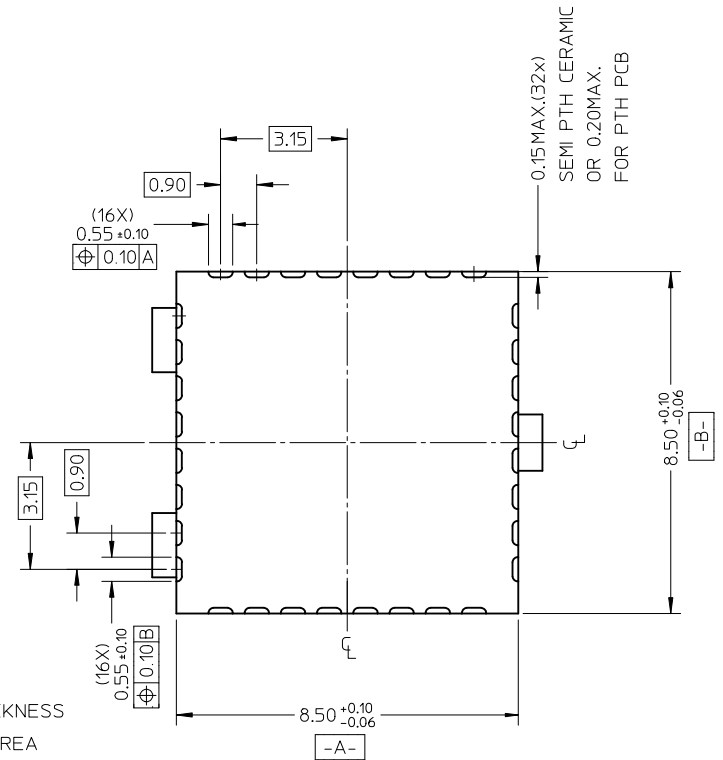
SECTION Y-Y

REVISED EC NO: SH2010-0371 DRWN: JCHENG 2010/03/24 CHKD: WFDENG 2009/04/27 APPR: WFDENG 2010/04/27	QUALITY SYMBOLS ▽=0 ▽=0 ▽=0	GENERAL TOLERANCES (UNLESS SPECIFIED)		DIMENSION STYLE MM ONLY		SCALE 8:1	DESIGN UNITS METRIC	THIRD ANGLE PROJECTION
		mm	INCH	DRAWN BY WFDENG	DATE 2009/03/23	TITLE 8.5*8.5 CAMERA SOCKET SINK TYPE CONNECTOR		
A	REV	4 PLACES	± ---	± ---	CHECKED BY WFDENG	DATE 2009/04/27	MOLEX INCORPORATED	
		3 PLACES	± ---	± ---	APPROVED BY WFDENG	DATE 2010/04/12	DOCUMENT NO. SD-105028-201	SHEET NO. 1 OF 2
		2 PLACES	± 0.10	± ---	DRAFT WHERE APPLICABLE MUST REMAIN WITHIN DIMENSIONS			
		1 PLACE	± 0.15	± ---	THIS DRAWING CONTAINS INFORMATION THAT IS PROPRIETARY TO MOLEX INCORPORATED AND SHOULD NOT BE USED WITHOUT WRITTEN PERMISSION			
		ANGULAR ± 2 °		MATERIAL NO. 1050282001				

# APPLIED CAMERA MODULE



SEMI PTH THICKNESS  
IN CONTACT AREA  
OR  $0.50$  MIN  
PTH THICKNESS IN  
CONTACT AREA



NOTES:  
ALIGN KEYS ARE OPTION BY CUSTOMER.

RELEASE EC NO: SH2010-0371 DRWN: JCHENG 2010/03/24 CHKD: WFDENG 2009/04/27 APPR: WFDENG 2010/04/21	DESCRIPTION REV	QUALITY SYMBOLS	GENERAL TOLERANCES (UNLESS SPECIFIED)		DIMENSION STYLE MM ONLY		SCALE 8:1	DESIGN UNITS METRIC	THIRD ANGLE PROJECTION
		$F_A=0$	mm	INCH	DRAWN BY WFDENG	DATE 2009/03/23	TITLE 8.5*8.5 CAMERA SOCKET SINK TYPE CONNECTOR		
		$F_C=0$	4 PLACES ± ---	± ---	CHECKED BY WFDENG	DATE 2009/04/27	MOLEX INCORPORATED		
		$F_P=0$	2 PLACES ± 0.10	± ---	APPROVED BY WFDENG	DATE 2010/04/12	DOCUMENT NO. SD-105028-201	SHEET NO. 2 OF 2	
A			1 PLACE ± 0.15	± ---	MATERIAL NO. N/A		THIS DRAWING CONTAINS INFORMATION THAT IS PROPRIETARY TO MOLEX INCORPORATED AND SHOULD NOT BE USED WITHOUT WRITTEN PERMISSION		
DRAFT WHERE APPLICABLE MUST REMAIN WITHIN DIMENSIONS			ANGULAR ± 2 °						