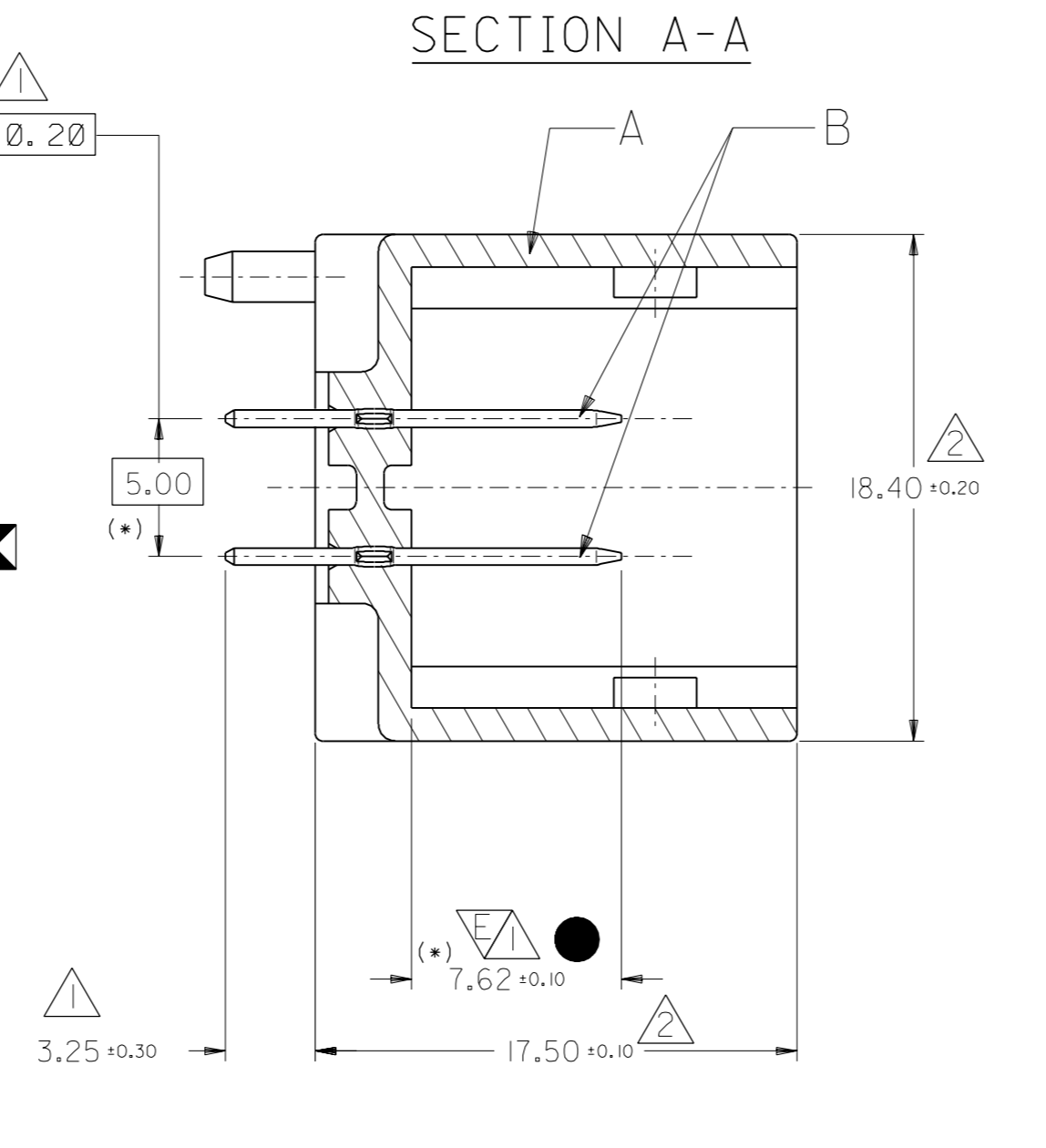
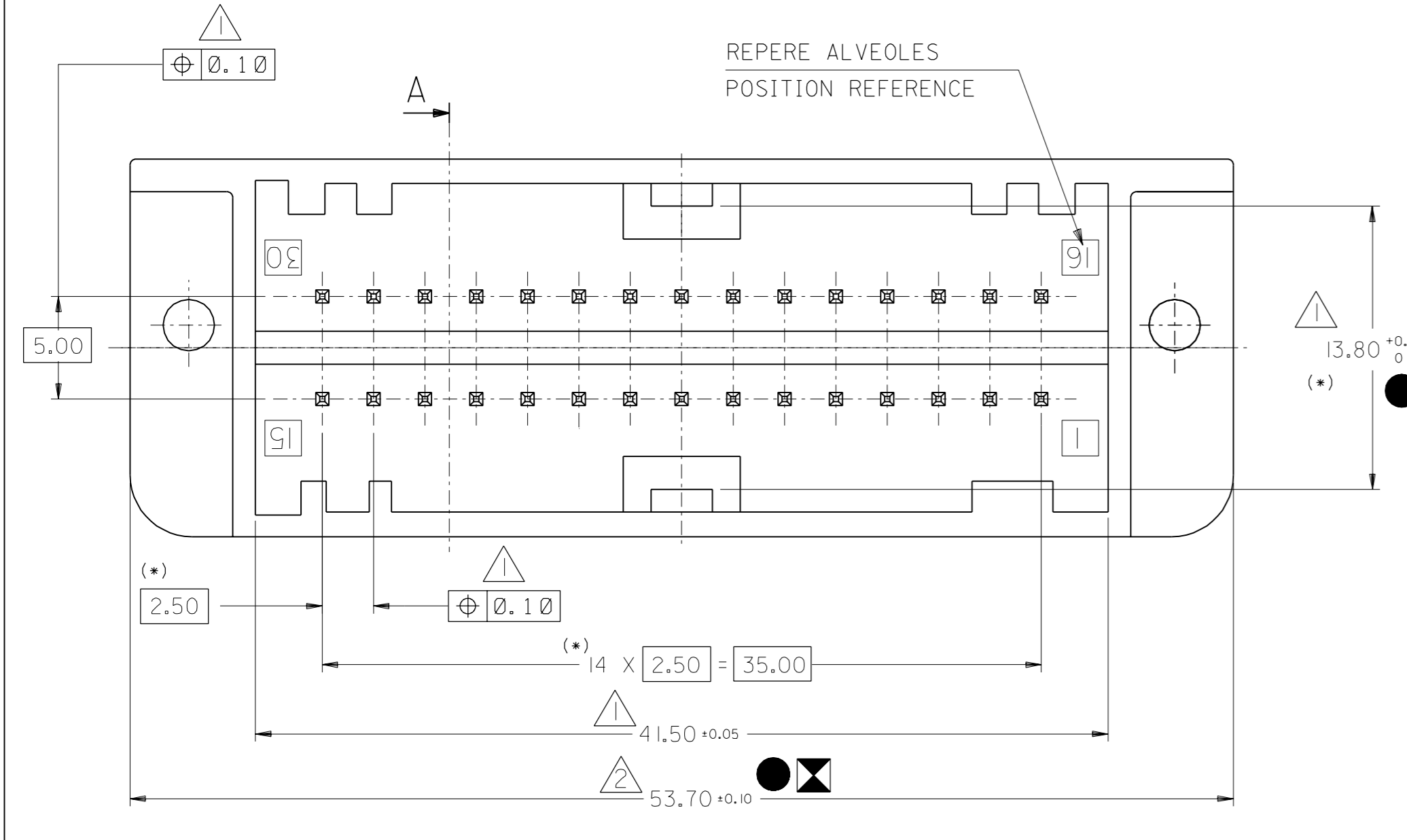
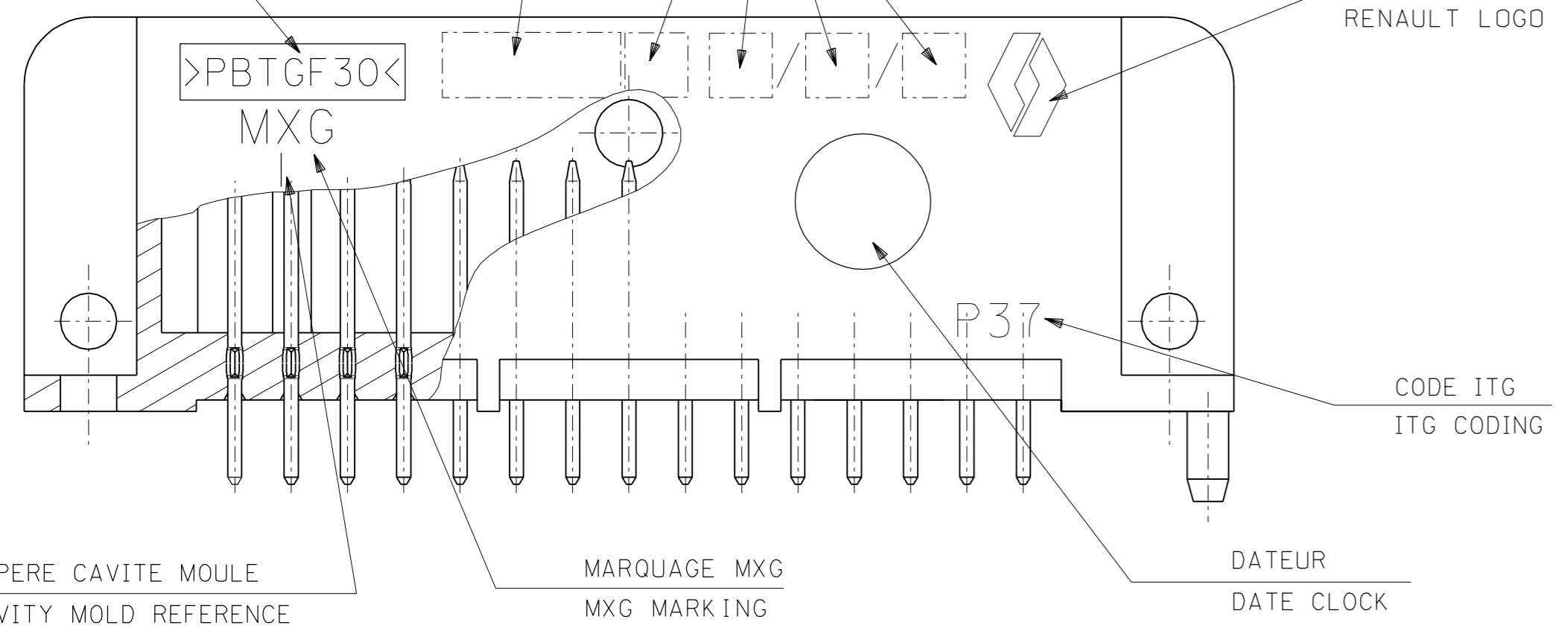


INDICE REVISION PLAN DE CONTROLE (IMPRESSION JET D'ENCRE)  
 CUSTOMER DRAWING REVISION LEVEL (INK JET PRINTING)

REFERENCE RENAULT (IMPRESSION JET D'ENCRE)  
 RENAULT PART NUMBER (INK JET PRINTING)

REFERENCE MATIERE  
 REFERENCE MATERIAL

JOUR/MOIS/ANNEE DE L'ASSEMBLAGE (IMPRESSION JET D'ENCRE)  
 DAY/MONTH/YEAR OF ASSEMBLY OPERATION (INK JET PRINTING)



**MISE EN OEUVRE SPECIFICATION FILE**

CAHIER DE PRECONISATIONS N°: AS-98623-005  
 APPLICATION SPECIFICATIONS N°:

**CALIBRE DE CONTROLE CONTROL GAUGE**

AU PIED A COULISSE OU AU PROJECTEUR DE PROFIL. VERIFIER LES COTES INDIQUEES SUR LE DESSIN DE L'EMBASE.  
 WITH A SLIDING CALIPER OR PROFILE PROJECTOR, MEASURE THE NOTED DIMENSIONS ON THE HEADER DRAWING.

INDICATION DIMENSIONS S.P.C DENOTES S.P.C DIMENSIONS

INDICATION DIMENSIONS SIGNIFICATIVES DENOTES SIGNIFICANT DIMENSIONS

INDICATION DIMENSIONS FONCTIONNELLES DENOTES FUNCTIONAL DIMENSIONS

QUANTITE PAR FEUILLE INDIVIDUELLE QUANTITY PER INDIVIDUAL SHEET

☒ = 2 PLACE(S) ☒ = 0 PLACE(S) ● = 3 PLACE(S)

DETROMPAGES CODINGS			
DETROMPAGES INTERFACIAUX INTERFACE CODINGS			
DETROMPAGES CIRCUITS IMPRIMES CODINGS PRINTED CIRCUIT BOARD			
MASSE WEIGHT	0.0072 Kg		
REFERENCE MOLEX MOLEX PART NUMBER	98629-1111	98629-1112	98629-1113
REFERENCE RENAULT RENAULT PART NUMBER	7 703 297 754	7 703 297 753	7 703 297 752
COULEUR COLOR	GRIS GREY	ROUGE RED	VERT GREEN

PRODUITS ASSOCIES ASSOCIATED PARTS			
COULEUR COLOR	GRIS GREY	ROUGE RED	VERT GREEN
PORTE MODULE 30 VOIES STANDARD MODULE FRAME 30 WAY STANDARD	7 703 297 770	7 703 297 769	7 703 297 768
PORTE MODULE 30 VOIES SORTIE INVERSEE MODULE FRAME 30 WAY REVERSED WIRES OUTPUT	7 703 297 774	7 703 297 773	7 703 297 772
COULEUR COLOR	VIOLET VIOLET		
PORTE MODULE UNIVERSEL 30 VOIES UNIVERSAL MODULE FRAME 30 WAY	7 703 297 771		
PORTE MODULE UNIVERSEL 30 VOIES SORTIE INVERSEE UNIVERSAL MODULE FRAME 30 WAY REVERSED WIRES OUTPUT	7 703 297 775		

NOMENCLATURE PARTS LIST				
B	30	BROCHE PIN	Cu Fe 2P TIN/LEAD PLATING	98628-1010
A	1	EMBASE HEADER	PBTP 30 FV	98629-110X
REF POS	Qty	DESIGNATION DESIGNATION	MATIERE MATERIAL	REFERENCE MOLEX MOLEX PART NUMBER

CLASSE D'UTILISATION LIMITS OF USE		CAHIER DES CHARGES CUSTOMER SPECIFICATION	
TEMPERATURE TEMPERATURE	1	-40° / +85°	N°: 36-05-019 DATE: 02 / 88
ETANCHEITE SEALING	0	NON / NO	
VIBRATION VIBRATION	1		

EFFORTS FORCES	
TENUE DES BROCHES DANS LE BOITIER PIN RETENTION IN HOUSING	25 N MINI

PLAN EMPREINTE INTERFACE DRAWING	
PLAN EMPREINTE 30 VOIES 0.635 SERTI INTERFACE DRAWING 30 WAY 0.635 CRIMPED	7 710 001 005

**NOTA:**  
 CE PLAN ETANT UN EXTRAIT DU PLAN DE DEFINITION, ON FERA REFERENCE POUR TOUT LITIGE AU PLAN DE DEFINITION  
 TOUTES COTES REPEREES (\*) NON RESPECTEE SUR UN LOT DONNERA LIEU AU REFUS DU LOT  
 THIS DRAWING IS AN EXTRACT OF THE PART DRAWING, FOR ANY LITIGATION THE PART DRAWING WILL BE THE ONLY REFERENCE, ALL DIMENSIONS IDENTIFIED (\*) NOT RESPECTED OF THIS BATCH WILL BE REFUSED

**HIERARCHISATION DES CARACTERISTIQUES**  
 APPLICATION PARTIELLE DE LA PROCEDURE D.E.22A/91/1810

FIRST ANGLE PROJECTION		REVISE ONLY ON CAD SYSTEM	
DIMENSIONS SHOWN (METRIC) INCH	DRWG BY	CALCULATED FILE NAME	THIS DRAWING CONTAINS INFORMATION THAT IS PROPRIETARY TO MOLEX INC. & SHOULD NOT BE USED WITHOUT WRITTEN PERMISSION
UNLESS OTHERWISE SPECIFIED TOLERANCES ANGULAR 3°	GP	S98629X1 DGN	
3 PLACE #	CHW'D BY	TITLE	PLAN DE CONTROLE
2 PLACE #		EMBASE 30 VOIES RIVETEE DROITE	CONTROL DRAWING
1 PLACE #		RIVETED STRAIGHT HEADER 30 WAY	
DRAFT WHERE APPLICABLE MUST REMAIN WITHIN DIMENSIONS	APP'D BY	MOLEX MOLEX FRANCE	SHEET NO. DATE
DESIGN DIMENSION (PRIMARY) □ IN. □ MM	SCALE	1 / 2	96 / 08 / 20
EQUIVALENT DIMENSION (SECONDARY) □ IN. □ MM	4:1	PART NO. VOIR TABLEAU SEE CHART	DWG NO. SD 98629-003
		SIZE	D

B	97/07/21	DEUXIEME DIFFUSION CLIENT. MISE A JOUR SUIVANT PIECES DEFINITIVES. AJOUT TABLEAU D'EFFORTS, NOUVELLE MISE EN PAGE. SECOND RELEASE FOR CUSTOMER, UPDATE FOLLOWING FINAL PARTS, FORCES TABLE CHART ADDED, NEW DRAWING LAYOUT.
A	96/08/20	PREMIERE DIFFUSION CLIENT FIRST RELEASE FOR CUSTOMER
IND	DATE	REVISION
Note B.E. / D.D. note 8948 I2		
Indice de modification du plan fournisseur Supplier's drawing modification index Note B.E. / D.D. note		EMBASE 30 VOIES RIVETEE DROITE RIVETED STRAIGHT HEADER 30 WAY
Masse / weight 0.0072 Kg		
C.T. Service Department	Numero Number of	
WAR 60606 Utilisateurs users	Reglement Regulation	Sur plan numero On the drawing number Ind
Numero de concurrence Competitive number 7 703 297 752		Planche Sheet Modif Issue
Numero du visa / visa number		RENAULT

2 / 1 B SH. REV.