

MATERIAL NUMBER	# OF COLUMNS	# OF DIFF PAIR	DIM "A" MAX	DIM "B"
76450-*10*	10	20	26.60	17.10
76450-*60*	16	32	38.00	28.50

**76450-\*\*0\***

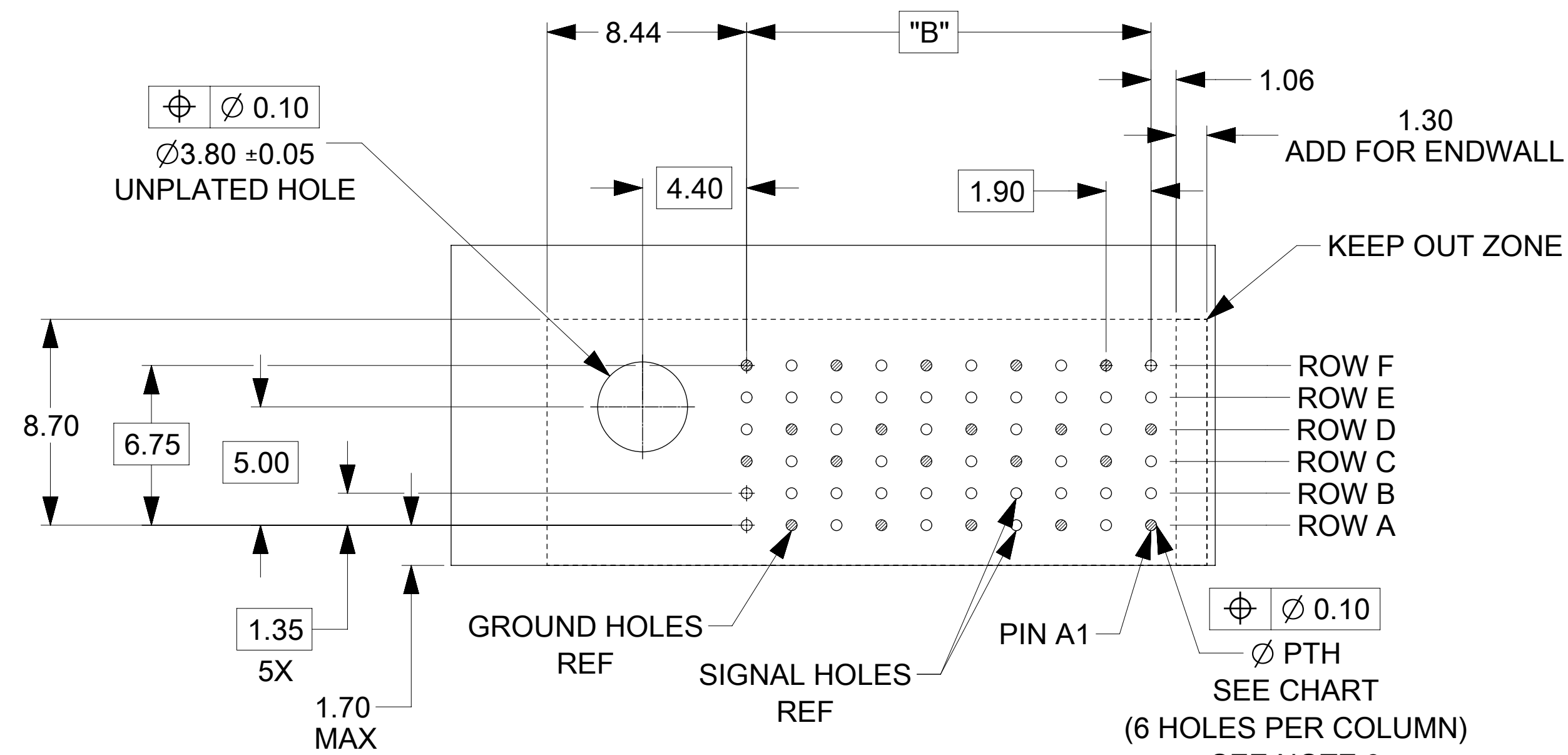
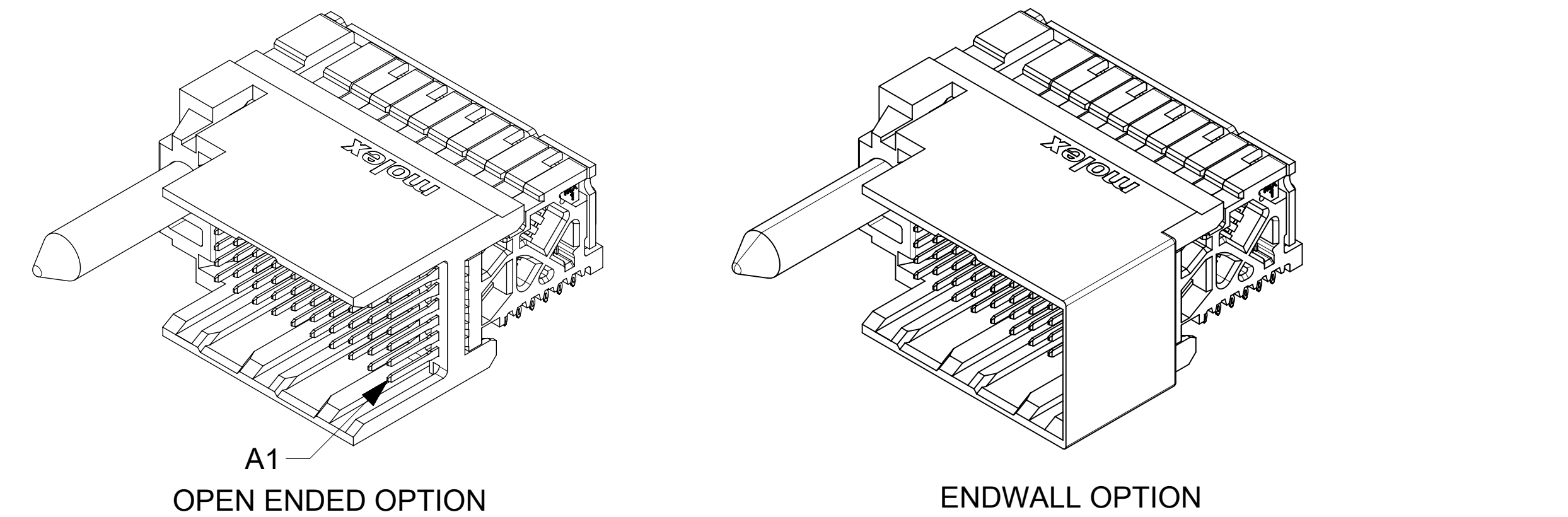
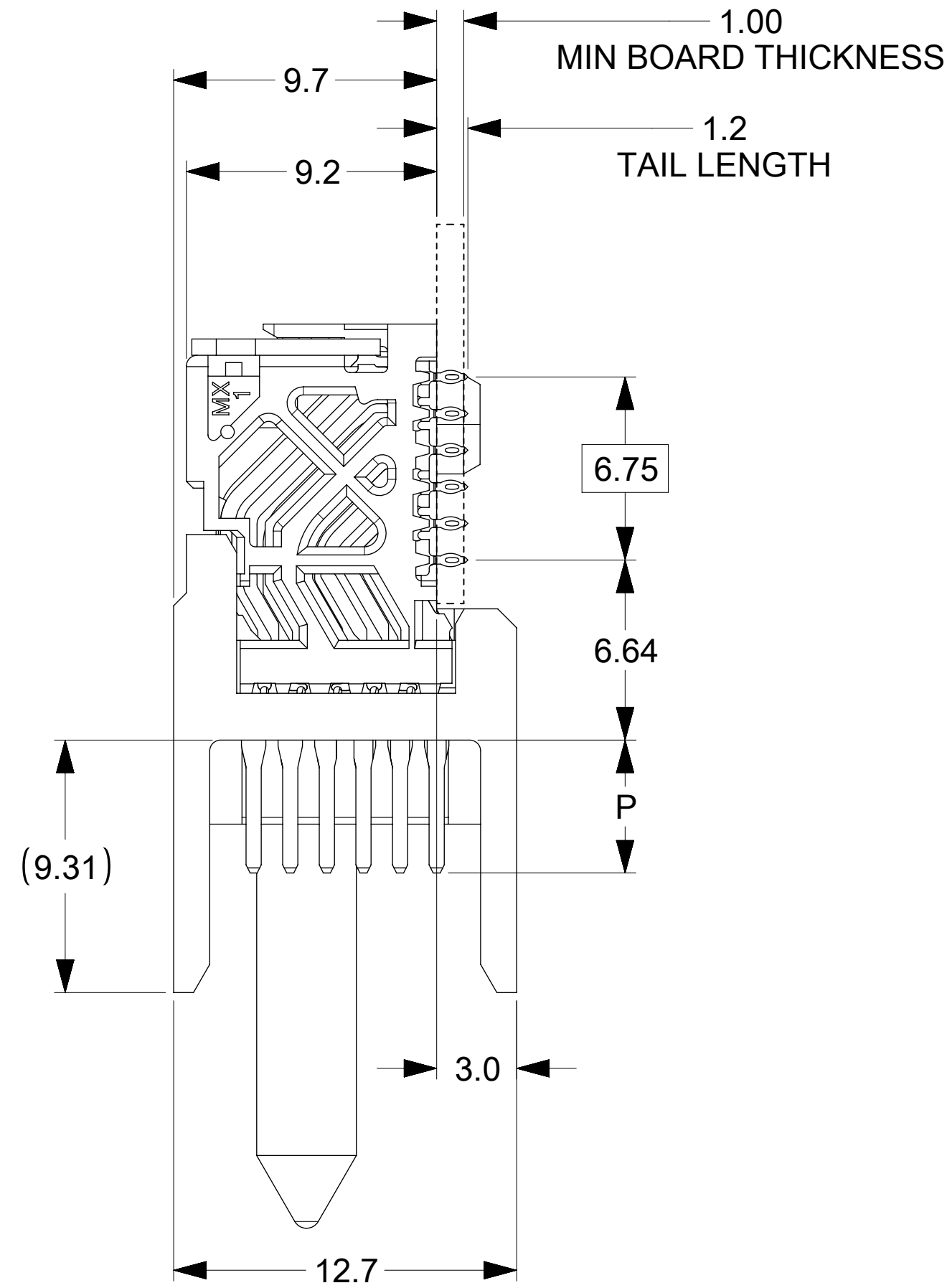
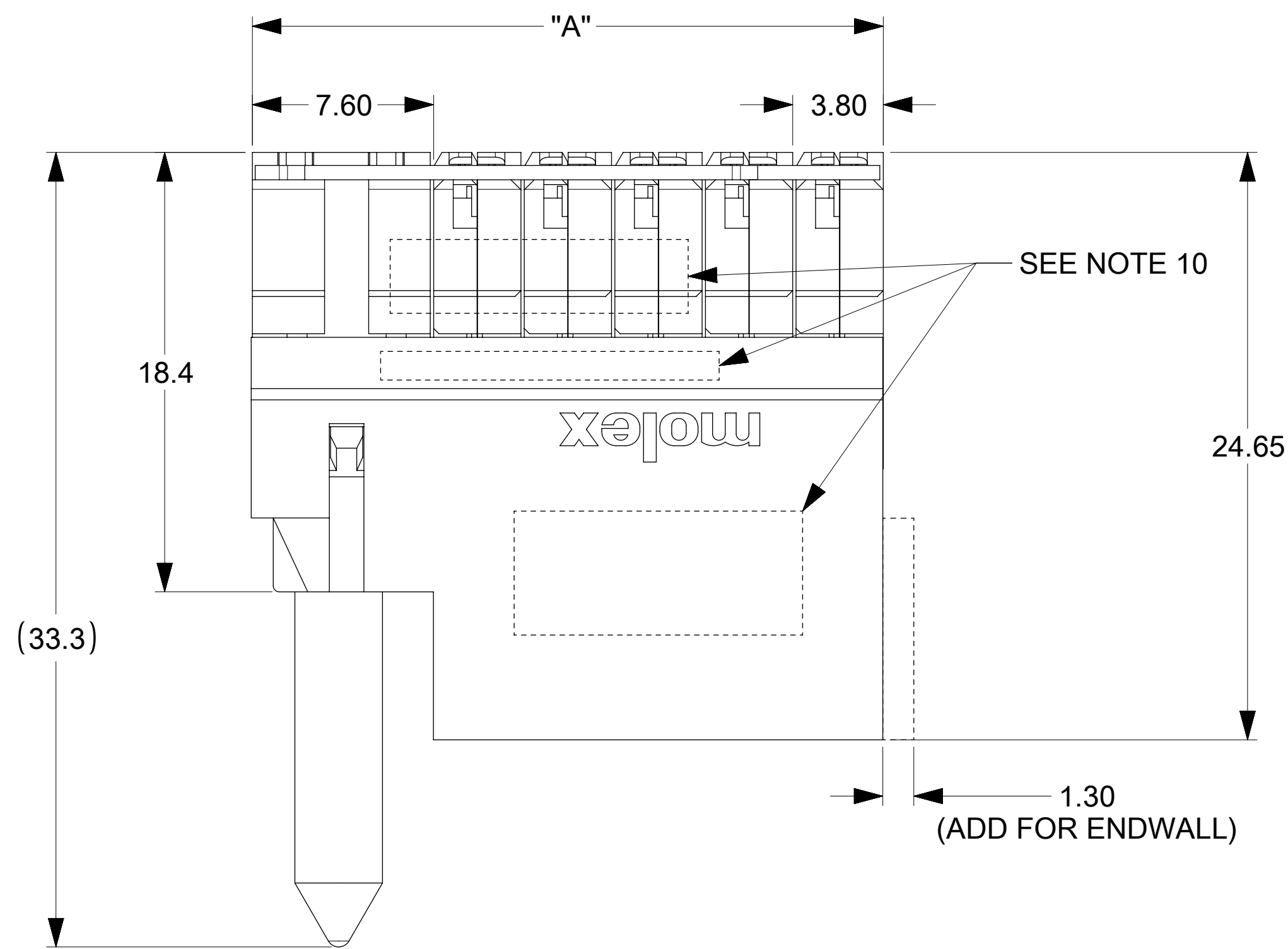
MODULE TYPE  
 3 = LEFT GUIDED LEAD-FREE  
 7 = LEFT GUIDED LEAD-FREE W/ ENDWALL

PIN LENGTH (P)  
 4 = 4.90 (0.46 PTH)  
 5 = 5.50 (0.46 PTH)  
 7 = 4.90 (0.39 PTH)  
 8 = 5.50 (0.39 PTH)

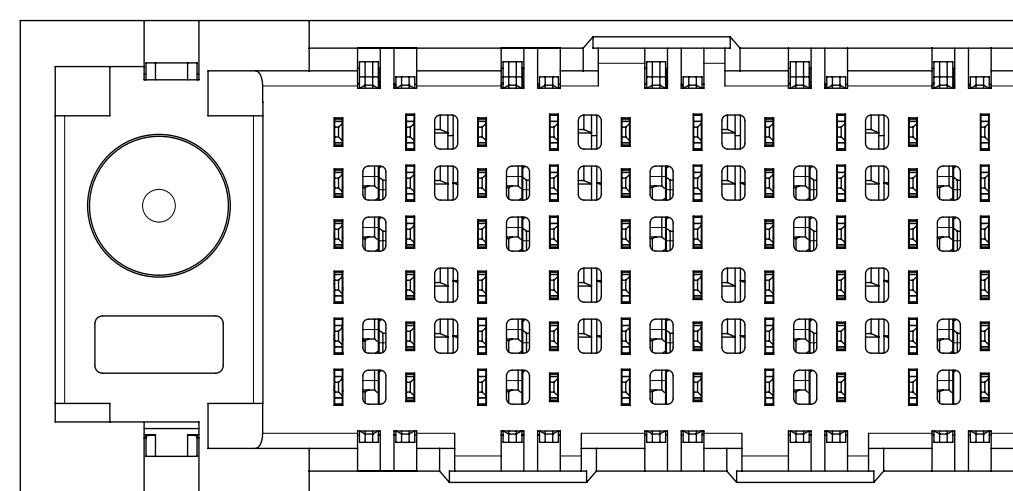
# OF COLUMNS  
 1 = 10 COL  
 6 = 16 COL

**NOTES:**

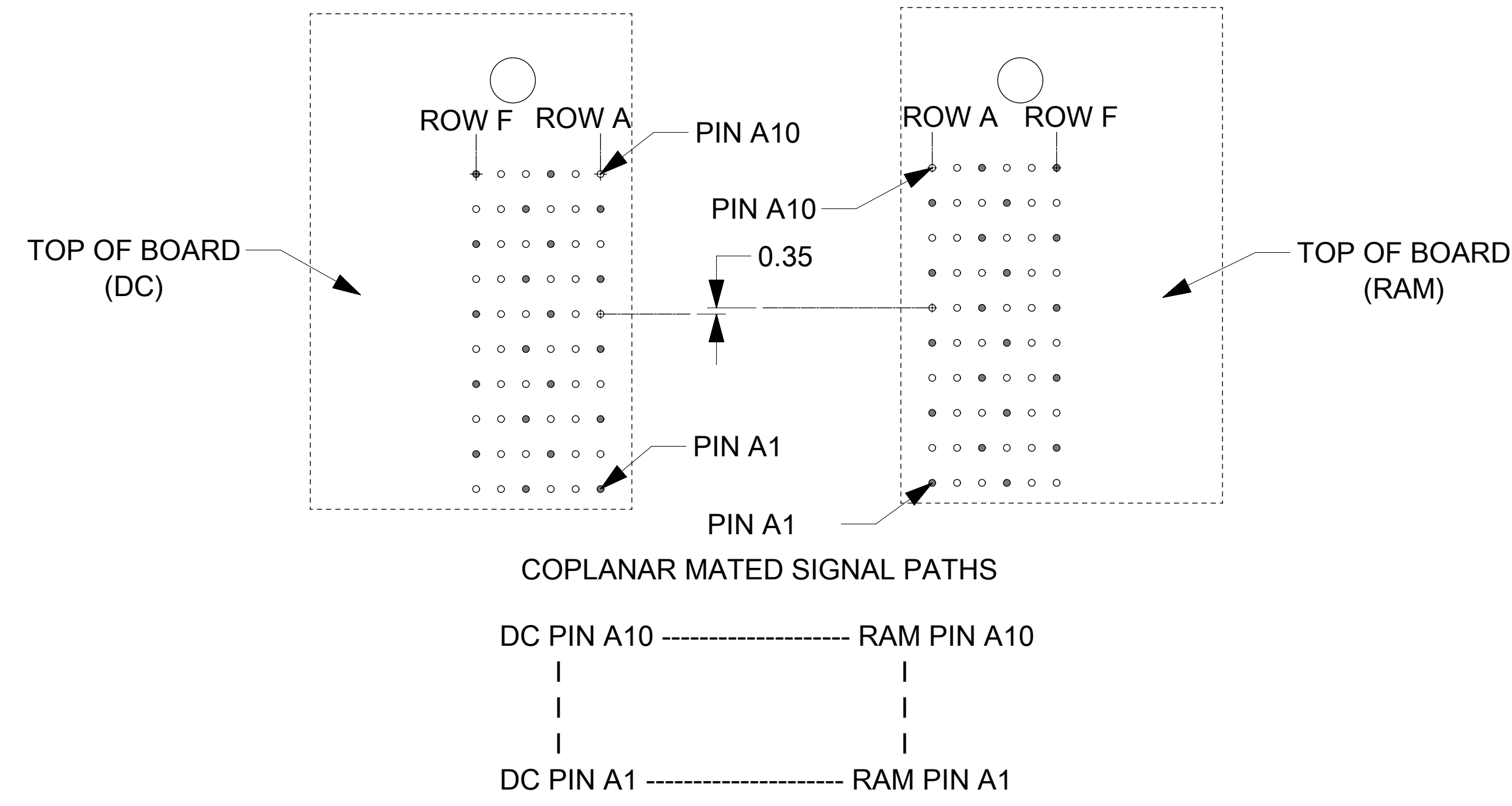
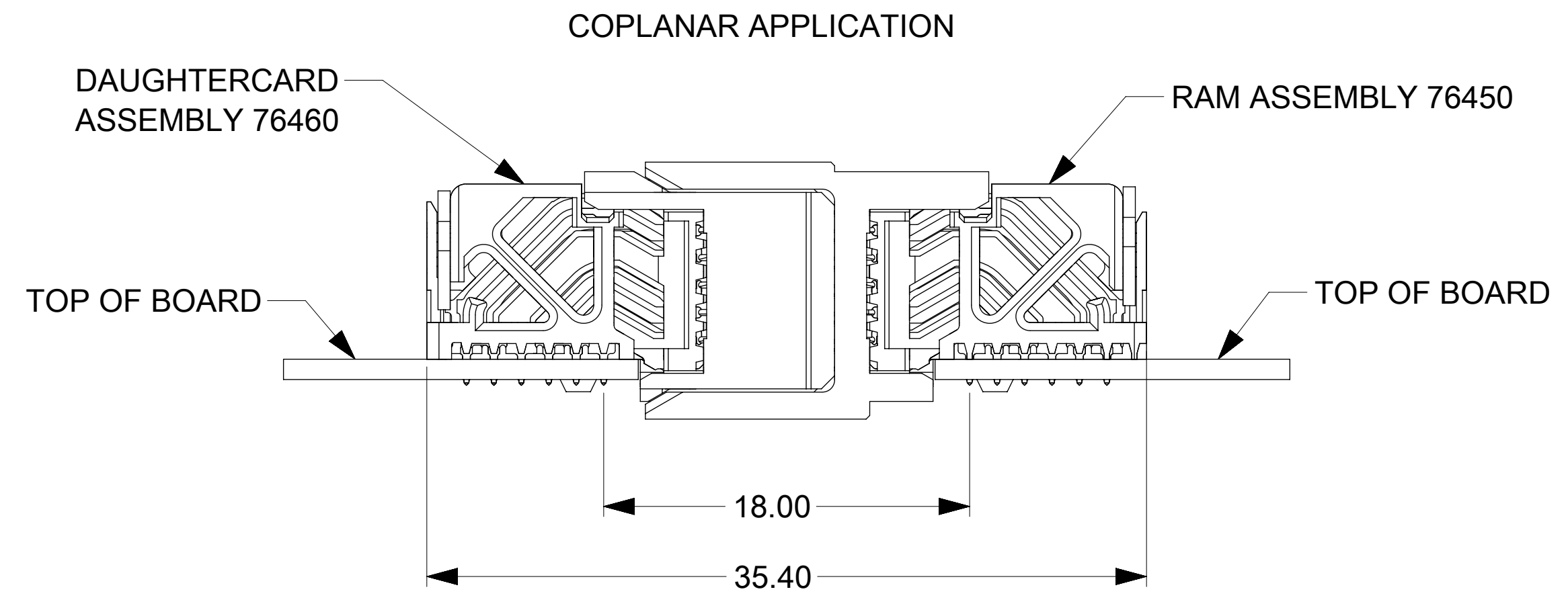
- MATERIALS: HOUSING - LIQUID CRYSTAL POLYMER (LCP), GLASS-FILLED, UL94V-0  
 TERMINALS - HIGH PERFORMANCE COPPER ALLOY
- FINISH: 30µin SELECTIVE GOLD IN CONTACT AREA, SELECTIVE TIN ON PCB TAILS, NICKEL OVERALL.
- FOR FURTHER INFORMATION SEE PRODUCT SPECIFICATION PS-76060-999..
- EACH SIGNAL WAFER CONTAINS 2 COLUMNS OF TERMINALS.
- PRODUCT TO BE PACKAGED PER PACKAGING SPECIFICATION PK-70873-077.
- THIS PART CONFORMS TO CLASS B REQUIREMENTS OF COSMETIC SPEC PS-45499-002.
- REFER TO MOLEX SALES DRAWING SD-76460-004 FOR MATING DAUGHTERCARDS.
- REFER TO MOLEX PCB ROUTING GUIDE AS-76060-990 FOR ANTIPAD AND ROUTING RECOMMENDATIONS.
- WHEN USING MOLEX SUPPLIED #2-32 SCREW 73726-0005 (7.62 +0.38/-0.76 mm THREADABLE SCREW LENGTH), THE BOARD THICKNESS RANGE IS 1.60 TO 3.85 mm.
- MARKING: LOCATED APPROXIMATELY AS SHOWN. PART NUMBER AND DATE CODE.



**RAM HOLE PATTERN (CONNECTOR SIDE)**



THIS DRAWING CONTAINS INFORMATION THAT IS PROPRIETARY TO MOLEX ELECTRONIC TECHNOLOGIES, LLC AND SHOULD NOT BE USED WITHOUT WRITTEN PERMISSION											
DIMENSION UNITS: mm		SCALE: NTS		CURRENT REV DESC: MIGRATED TO NX							
GENERAL TOLERANCES (UNLESS SPECIFIED)				<b>molex</b> IMPACT 100 OHM 2 PAIR RAM LEFT GUIDED SALES DRAWING							
ANGULAR TOL ± 0.5°				EC NO: 705090 DRWN: PSHANKARACHA 2019/03/13 CHK'D: VINODM3 2022/03/31 APPR: LZENG 2022/05/13							
4 PLACES ±				INITIAL REVISION: DRWN: MCARRANZA 2008/02/21 APPR: JLAURX 2009/04/17							
3 PLACES ±				PRODUCT CUSTOMER DRAWING DOCUMENT NUMBER: SD-76450-002 DOC TYPE: PSD DOC PART: 001 REVISION: B7							
2 PLACES ± 0.13				DRAFT WHERE APPLICABLE MUST REMAIN WITHIN DIMENSIONS							
1 PLACE ± 0.25				THIRD ANGLE PROJECTION		DRAWING: D-SIZE		SERIES: 76450		MATERIAL NUMBER: SEE TABLE	
0 PLACES ±				THIRD ANGLE PROJECTION		DRAWING: D-SIZE		SERIES: 76450		CUSTOMER: GENERAL MARKET	
DOCUMENT STATUS: P1		RELEASE DATE: 2022/05/13 03:06:33		SHEET NUMBER: 1 OF 2		SHEET NUMBER: 1 OF 2		SHEET NUMBER: 1 OF 2		SHEET NUMBER: 1 OF 2	



THIS DRAWING CONTAINS INFORMATION THAT IS PROPRIETARY TO MOLEX ELECTRONIC TECHNOLOGIES, LLC AND SHOULD NOT BE USED WITHOUT WRITTEN PERMISSION									
DIMENSION UNITS	SCALE	CURRENT REV DESC: MIGRATED TO NX							
mm	NTS	<b>molex</b>							
GENERAL TOLERANCES (UNLESS SPECIFIED)		IMPACT 100 OHM 2 PAIR RAM LEFT GUIDED SALES DRAWING							
ANGULAR TOL	± 0.5°	PRODUCT CUSTOMER DRAWING							
4 PLACES	±	EC NO: 705090		DRWN: PSHANKARACHA 2019/03/13		CHK'D: VINODM3 2022/03/31		APPR: LZENG 2022/05/13	
3 PLACES	±	INITIAL REVISION:							
2 PLACES	± 0.13	DRWN: MCARRANZA 2008/02/21		APPR: JLAURX 2009/04/17		SERIES 76450		MATERIAL NUMBER SEE TABLE	
1 PLACE	± 0.25	DRAFT WHERE APPLICABLE MUST REMAIN WITHIN DIMENSIONS		THIRD ANGLE PROJECTION		DRAWING D-SIZE		CUSTOMER GENERAL MARKET	
0 PLACES	±			SHEET NUMBER 2 OF 2		REVISION B7		DOCUMENT NUMBER SD-76450-002	